



**PL-12228**  
*Vortex Series*  
Toilet

**Features**

- Sleek One-Piece Design
- High-Efficiency, Low Consumption Single Flush
- Soft-Close Seat

**Material**

- Vitreous China



**Available Color/Finishes**  
Intended for reference only

<b>Color</b>	<b>Description</b>
<input type="checkbox"/>	White

---

6140 Ulmerton Road Clearwater, FL 33760

Phone: (727) 388-9895

Fax: (727) 362-1281

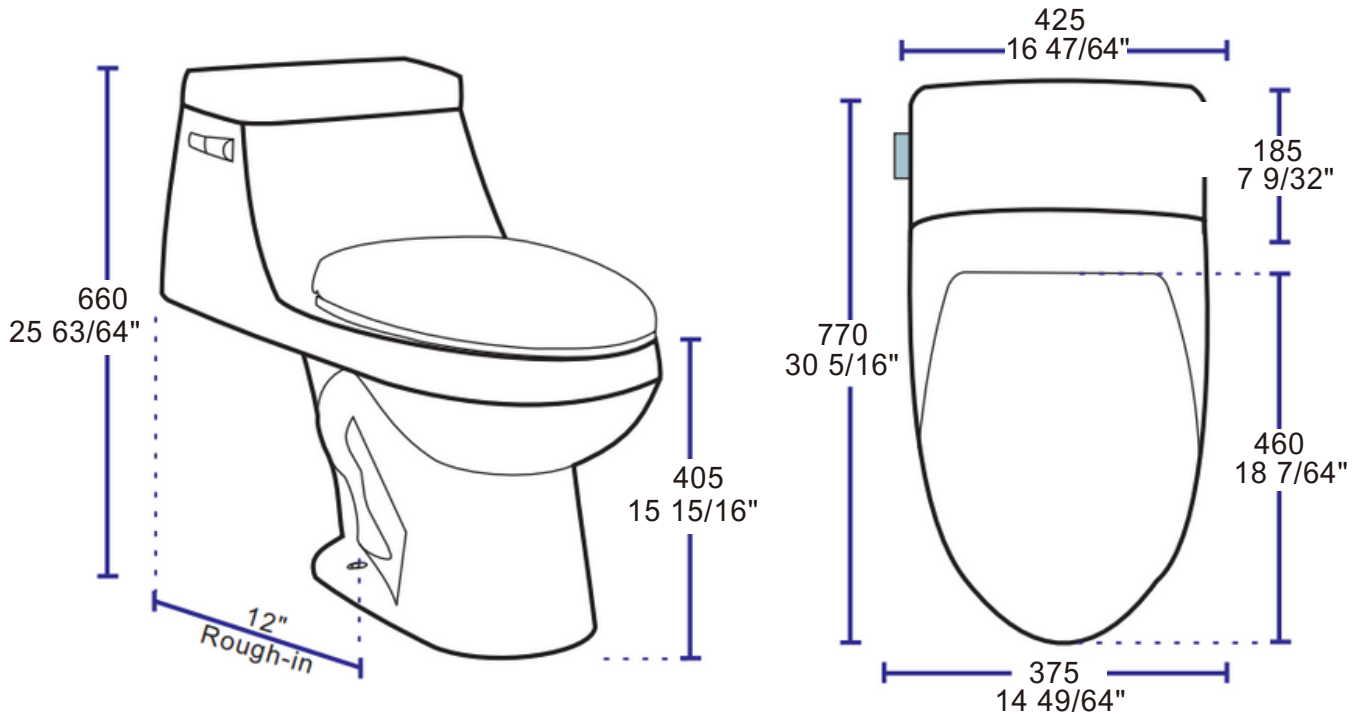
*For the most current Specification Sheet, go to [www.pelicansinks.com](http://www.pelicansinks.com)*





# PL-12228

Vortex Series  
Toilet



### Technical Information

All product dimensions are nominal

Size: 30 5/16" x 16 47/64" x 25 63/64"

Seat Height: 15 15/16"

Trapway: 2" Fully Glazed

Rough-In: 12"

Flush Type: High-Efficiency, Low Consumption  
Single Flush (1.28 gpf)

### Installation Information

Install this product according to the installation instructions.  
*Includes all hardware for installation.*

### Limited Lifetime Warranty

See website for detailed warranty information.

6140 Ulmerton Road Clearwater, FL 33760

Phone: (727) 388-9895

Fax: (727) 362-1281

For the most current Specification Sheet, go to [www.pelicansinks.com](http://www.pelicansinks.com)

