



PL-12335

Vortex Series
Toilet

Features

- Maximum Performance, 1,000 MaP Rating
- ADA Compliant
- Sleek One-Piece Design
- High-Efficiency, Low Consumption Single Flush
- Easy to Clean Sides
- Soft-Close Seat
- Large Side Holes for Easy Installation

Material

- Vitreous China

Codes/Standards

- ADA Compliant



Available Color/Finishes

Intended for reference only

Color	Description
<input type="checkbox"/>	White

6140 Ulmerton Road Clearwater, FL 33760

Phone: (727) 388-9895

Fax: (727) 362-1281

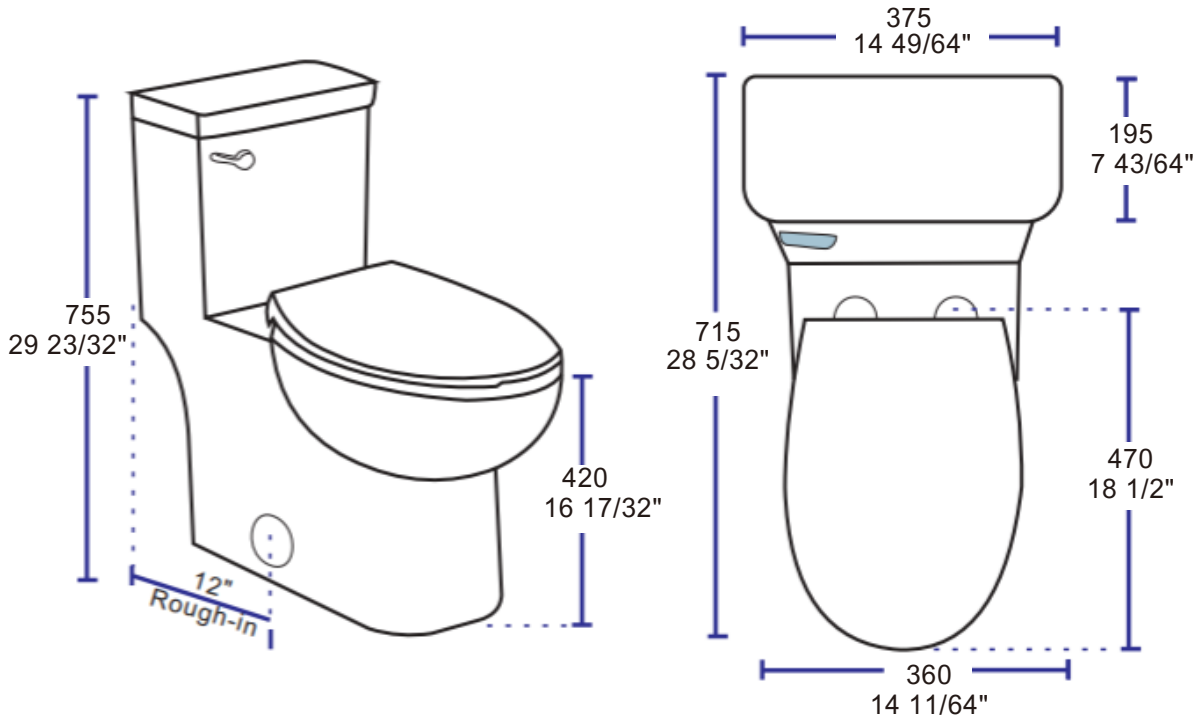
For the most current Specification Sheet, go to www.pelicansinks.com





PL-12335

Vortex Series
Toilet



Technical Information

All product dimensions are nominal

Size: 28 5/32" x 14 49/64" x 29 23/32"

Seat Height: 16 17/32"

Trapway: 2" Fully Glazed

Rough-In: 12"

Flush Type: High-Efficiency, Low Consumption
Single Flush (1.28gpf)

Installation Information

Install this product according to the installation instructions.
Includes all hardware for installation.

Limited Lifetime Warranty

See website for detailed warranty information.

6140 Ulmerton Road Clearwater, FL 33760

Phone: (727) 388-9895

Fax: (727) 362-1281

For the most current Specification Sheet, go to www.pelicansinks.com

