



**PL-3608**  
*Pearl Series*  
Porcelain Sink

**Features**

- Circular Basin
- ADA Compliant
- Overflow Drain
- Nonporous - Hygienic

**Material**

- Vitreous China

**Installation**

- Undermount

**Codes/Standards**

- ADA Compliant



**Available Color/Finishes**

Intended for reference only

| <b>Color</b> | <b>Description</b> |
|--------------|--------------------|
|--------------|--------------------|

|                          |       |
|--------------------------|-------|
| <input type="checkbox"/> | White |
|--------------------------|-------|

---

6140 Ulmerton Road Clearwater, FL 33760

Phone: (727) 388-9895

Fax: (727) 362-1281

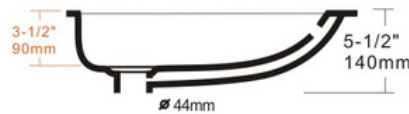
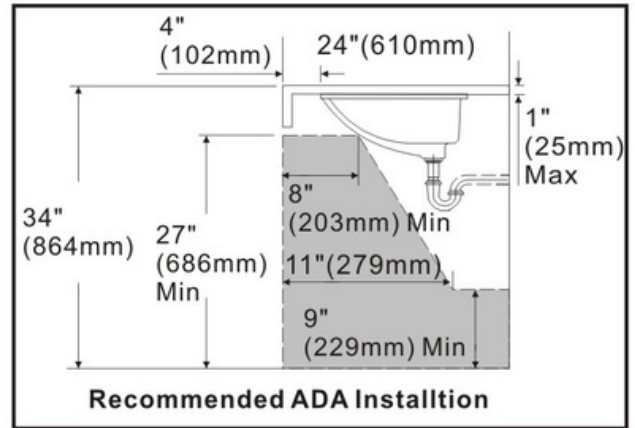
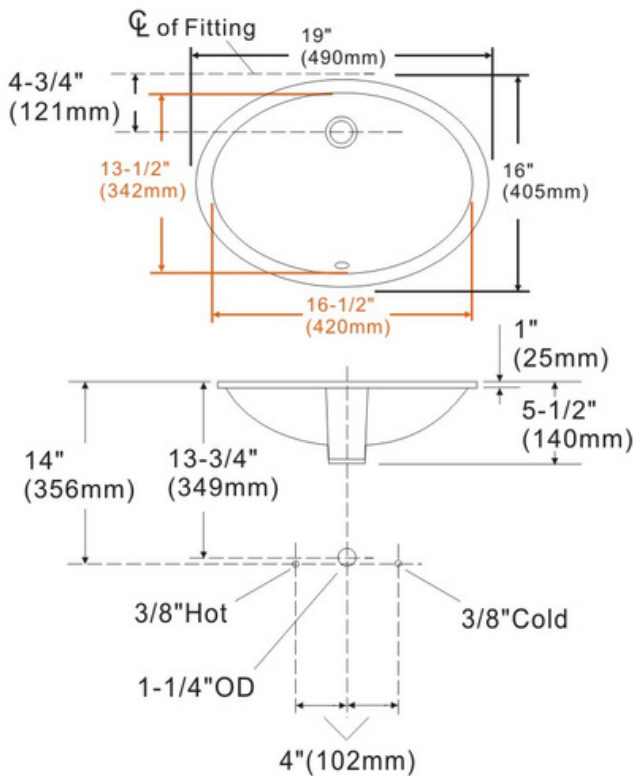
*For the most current Specification Sheet, go to [www.pelicansinks.com](http://www.pelicansinks.com)*





# PL-3608

Pearl Series  
Porcelain Sink



## Technical Information

All product dimensions are nominal

Interior Measurements: 16 1/2" x 13 1/2" x 3 1/2"

Exterior Measurements: 19" x 16" x 5 1/2"

Bowl Configuration: Single

Finish: Vitreous China

## Installation Information

Install this product according to the installation instructions.

## Limited Lifetime Warranty

See website for detailed warranty information.

6140 Ulmerton Road Clearwater, FL 33760

Phone: (727) 388-9895

Fax: (727) 362-1281

For the most current Specification Sheet, go to [www.pelicansinks.com](http://www.pelicansinks.com)

