



## PL-3639

Pearl Series  
Porcelain Sink

### Features

- Rectangular Basin
- ADA Compliant
- Overflow Drain
- Nonporous - Hygienic



### Material

- Vitreous China



### Installation

- Undermount

### Available Color/Finishes

Intended for reference only

Color	Description
-------	-------------

<input type="checkbox"/>	White
--------------------------	-------

### Codes/Standards

- ADA Compliant

---

6140 Ulmerton Road Clearwater, FL 33760

Phone: (727) 388-9895

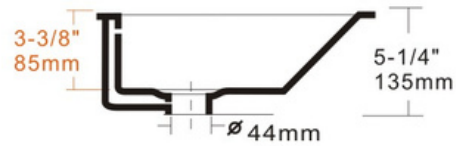
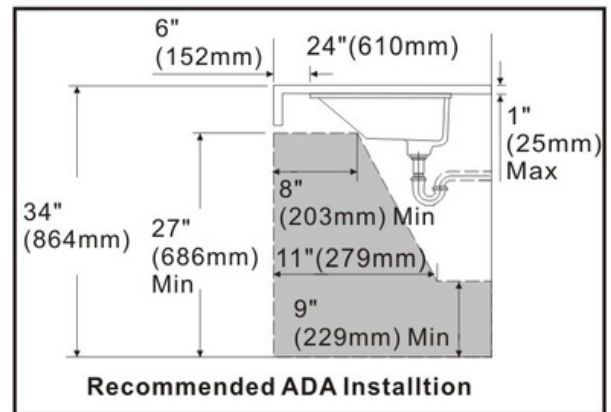
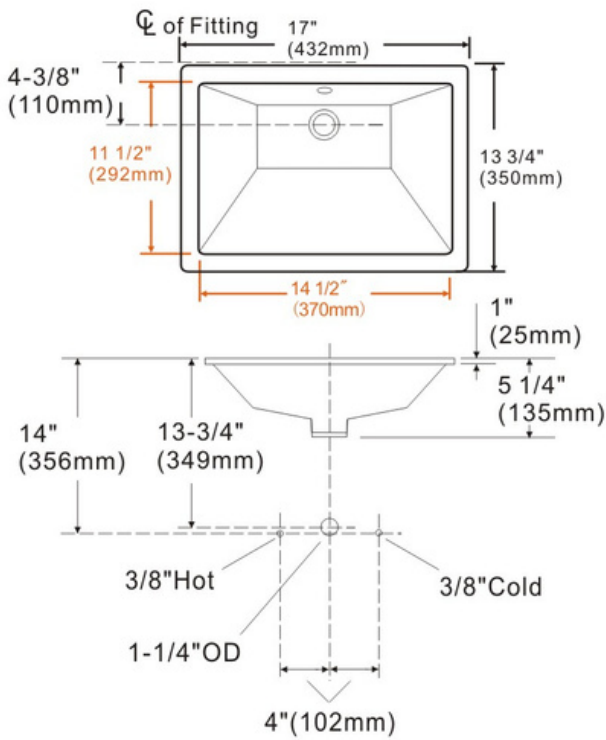
Fax: (727) 362-1281

For the most current Specification Sheet, go to [www.pelicansinks.com](http://www.pelicansinks.com)





**PL-3639**  
*Pearl Series*  
 Porcelain Sink



**Technical Information**

All product dimensions are nominal

Interior Measurements: 14 1/2" x 11 1/2" x 3 3/8"

Exterior Measurements: 17" x 13 3/4" x 5 1/4"

Bowl Configuration: Single

Finish: Vitreous China

**Installation Information**

Install this product according to the installation instructions.

**Limited Lifetime Warranty**

See website for detailed warranty information.

6140 Ulmerton Road Clearwater, FL 33760

Phone: (727) 388-9895

Fax: (727) 362-1281

For the most current Specification Sheet, go to [www.pelicansinks.com](http://www.pelicansinks.com)

