



PL-100

Crystallite Series
Granite Composite Sinks

Features

- Single Bowl
- Available in 7 Colors
- Stain / Scratch / Fade Resistant
- Topmount or Undermount
for Easy Installation
- Made in Germany



*Color Pictured: Gunmetal
Pictured with Matching Gunmetal Strainer

Material





- Pure Quartz Sand with
High Grade Acrylic Binders

Installation

- Dualmount

Available Color/Finishes

Intended for reference only

Color	Description
	Alpina
	Chroma
	Concrete
	Gunmetal
	Mocha
	Onyx
	Sand

6140 Ulmerton Road Clearwater, FL 33760

Phone: (727) 388-9895

Fax: (727) 362-1281

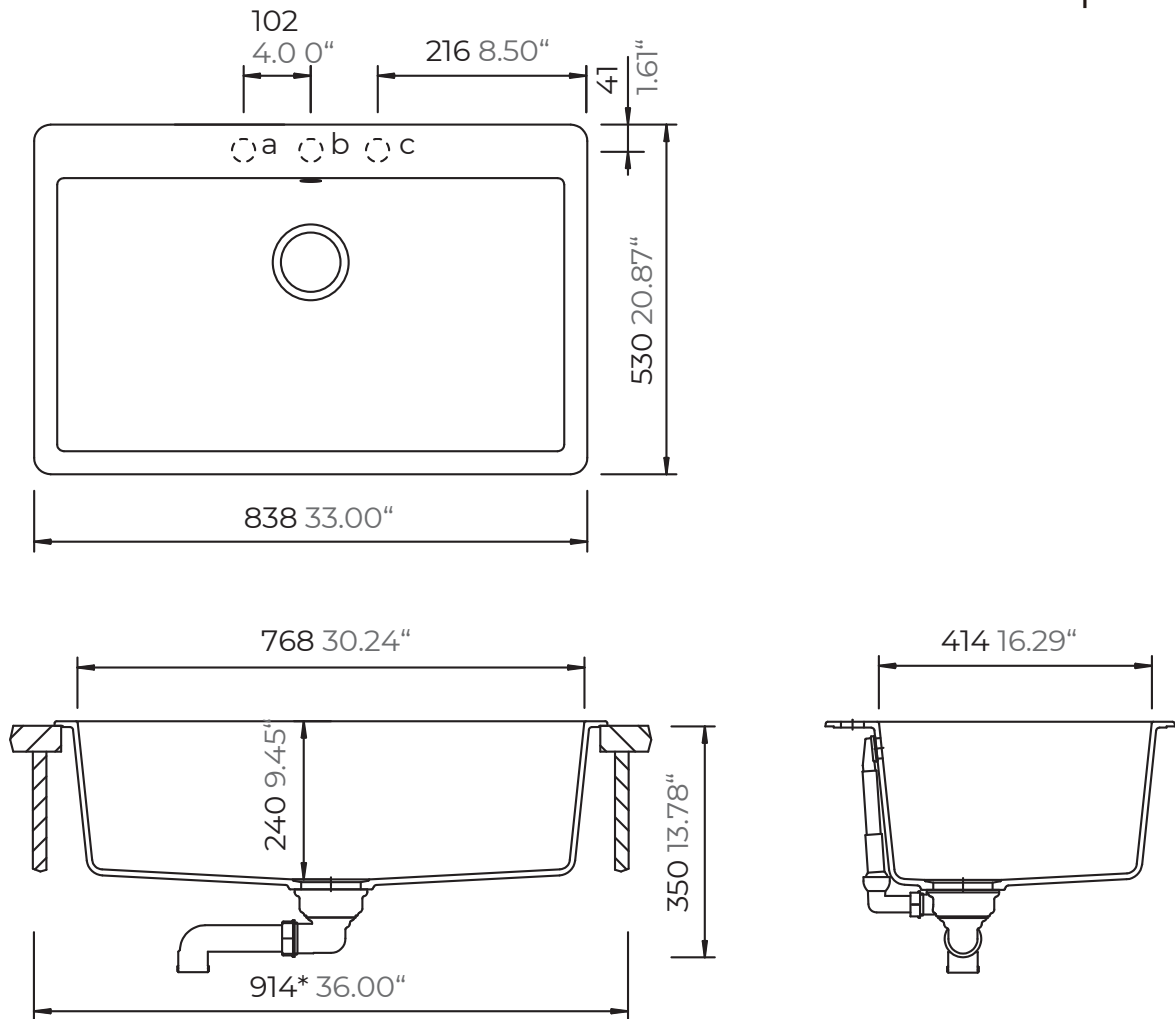
For the most current Specification Sheet, go to www.pelicansinks.com





PL-100

Crystallite Series
Granite Composite Sinks



Technical Information

All product dimensions are nominal

Exterior Measurements: 33" x 20.87" x 9.45"

Interior Measurements: 30.24" x 16.29" x 9.45"

Bowl Configuration: Single

Installation Information

Install this product according to the installation instructions.

Limited Lifetime Warranty

See website for detailed warranty information.

6140 Ulmerton Road Clearwater, FL 33760

Phone: (727) 388-9895

Fax: (727) 362-1281

For the most current Specification Sheet, go to www.pelicansinks.com

