



PL-1011
4" Spread
Pearl Series
Porcelain Sink

Features

- ADA Compliant
- Three Pre-Drilled Faucet Holes
- 4" Spread Between Holes
- Overflow Drain
- Nonporous - Hygienic



Material

- Vitreous China

Available Color/Finishes
Intended for reference only

Installation

- Self-Rimming

Color	Description
-------	-------------

<input type="checkbox"/>	White
--------------------------	-------

Codes/Standards

- ADA Compliant

6140 Ulmerton Road Clearwater, FL 33760

Phone: (727) 388-9895

Fax: (727) 362-1281

For the most current Specification Sheet, go to www.pelicansinks.com

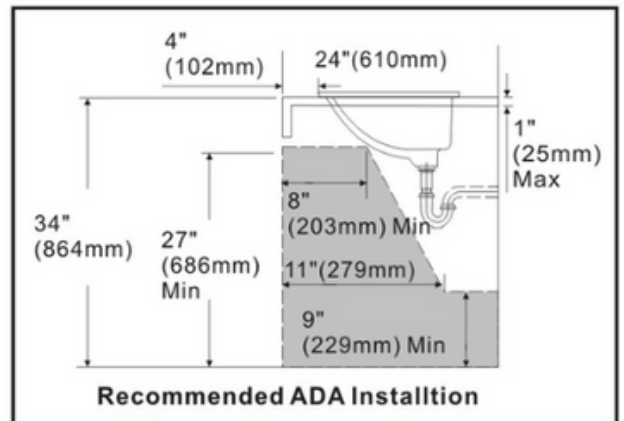
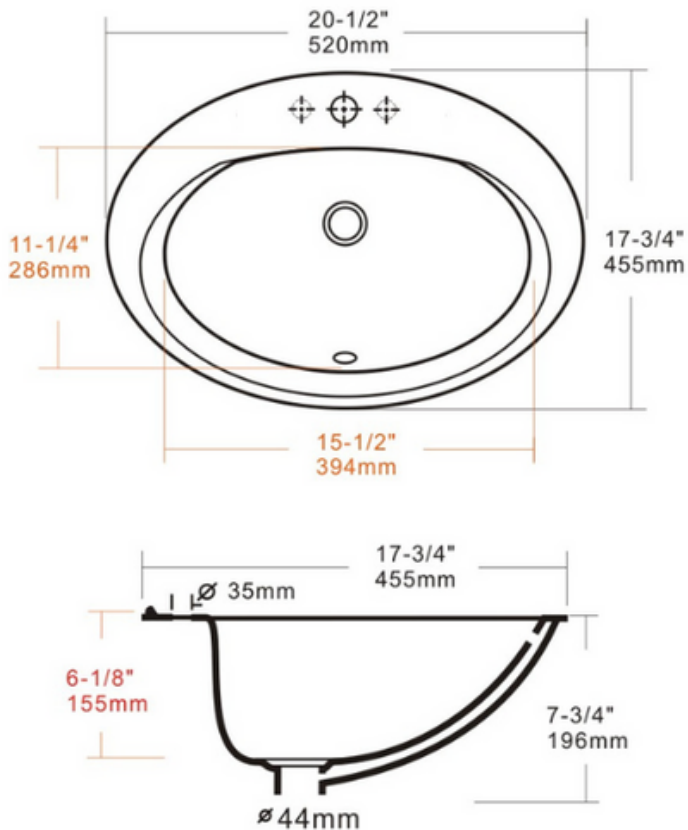




PL-1011

4" Spread

Pearl Series
Porcelain Sink



Technical Information

All product dimensions are nominal

Exterior Measurements: 20 1/2" x 17 3/4" x 7 3/4"

Interior Measurements: 15 1/2" x 11 1/4" x 6 1/8"

Bowl Configuration: Single

Finish: Vitreous China

Installation Information

Install this product according to the installation instructions.

Limited Lifetime Warranty

See website for detailed warranty information.

6140 Ulmerton Road Clearwater, FL 33760

Phone: (727) 388-9895

Fax: (727) 362-1281

For the most current Specification Sheet, go to www.pelicansinks.com

