



**PL-3044**  
*Pearl Series*  
Porcelain Sink

**Features**

- Rectangular Basin
- Overflow Drain
- Nonporous - Hygienic

**Material**

- Vitreous China

**Installation**

- Undermount



**Available Color/Finishes**  
Intended for reference only

Color	Description
<input type="checkbox"/>	White
<input type="checkbox"/>	Bone

---

6140 Ulmerton Road Clearwater, FL 33760

Phone: (727) 388-9895

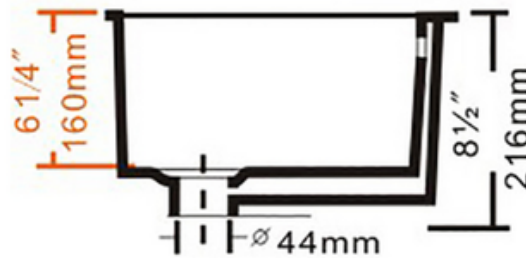
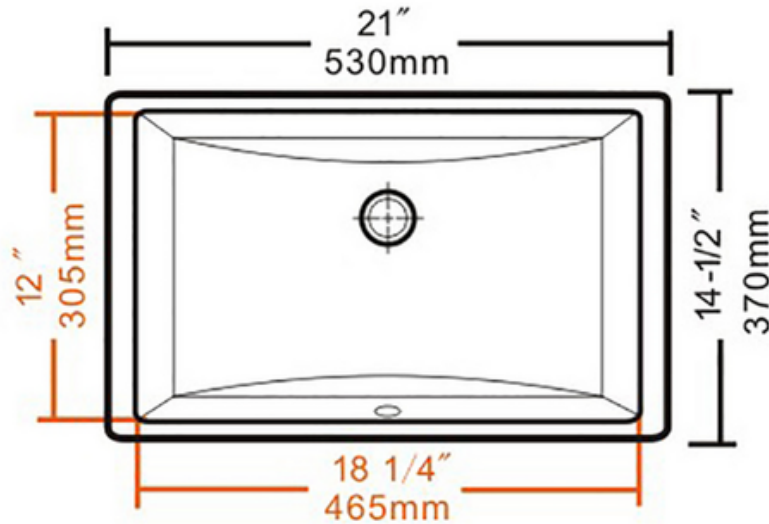
Fax: (727) 362-1281

*For the most current Specification Sheet, go to [www.pelicansinks.com](http://www.pelicansinks.com)*





**PL-3044**  
*Pearl Series*  
Porcelain Sink



**Technical Information**

All product dimensions are nominal

Interior Measurements: 18 1/4" x 12" x 6 1/4"

Exterior Measurements: 21" x 14 1/2" x 8 1/2"

Bowl Configuration: Single

Finish: Vitreous China

**Installation Information**

Install this product according to the installation instructions.

**Limited Lifetime Warranty**

See website for detailed warranty information.

6140 Ulmerton Road Clearwater, FL 33760

Phone: (727) 388-9895

Fax: (727) 362-1281

For the most current Specification Sheet, go to [www.pelicansinks.com](http://www.pelicansinks.com)

