



**PL-3099**  
*Pearl Series*  
Porcelain Sink

**Features**

- Rectangular Basin
- Overflow Drain
- Nonporous - Hygienic



**Material**

- Vitreous China

**Installation**

- Undermount

**Available Color/Finishes**  
Intended for reference only

Color	Description
<input type="checkbox"/>	White
<input type="checkbox"/>	Bone
<input type="checkbox"/>	Black

---

6140 Ulmerton Road Clearwater, FL 33760

Phone: (727) 388-9895

Fax: (727) 362-1281

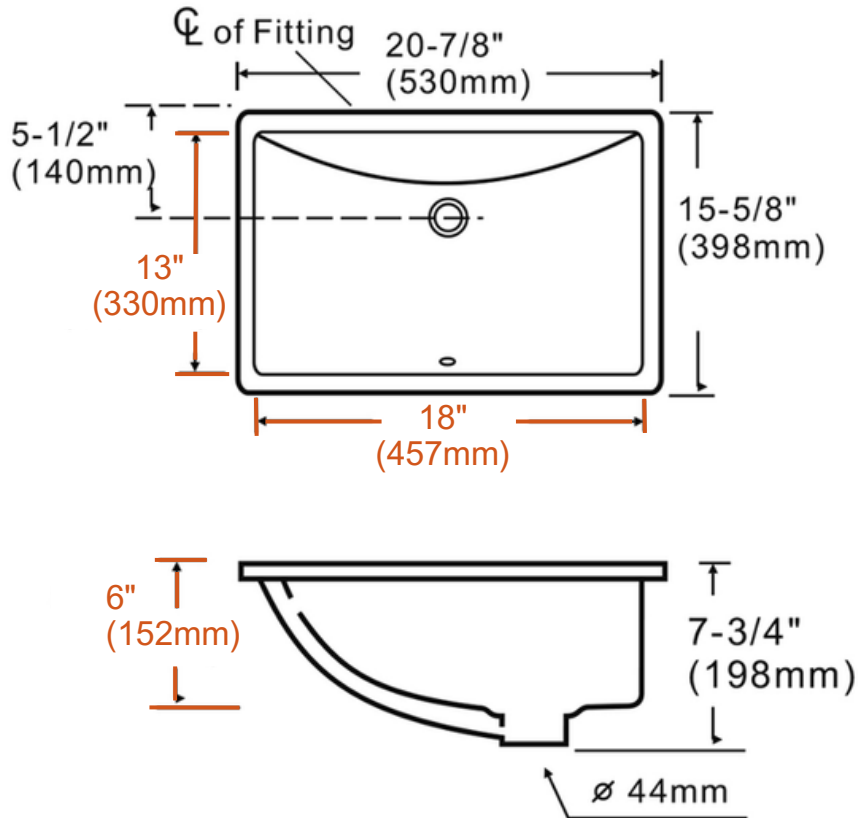
*For the most current Specification Sheet, go to [www.pelicansinks.com](http://www.pelicansinks.com)*





# PL-3099

Pearl Series  
Porcelain Sink



### Technical Information

All product dimensions are nominal

Interior Measurements: 18" x 13" x 6"

Exterior Measurements: 20 7/8" x 15 5/8" x 7 3/4"

Bowl Configuration: Single

Finish: Vitreous China

### Installation Information

Install this product according to the installation instructions.

### Limited Lifetime Warranty

See website for detailed warranty information.

6140 Ulmerton Road Clearwater, FL 33760

Phone: (727) 388-9895

Fax: (727) 362-1281

For the most current Specification Sheet, go to [www.pelicansinks.com](http://www.pelicansinks.com)

