



# PL-350

Crystallite Series  
Granite Composite Sinks

## Features

- Small Single Bowl
- Available in 7 Colors
- Stain / Scratch / Fade Resistant
- Made in Germany



Color Pictured: Onyx  
\*Pictured with Matching Onyx Strainer

## Material




- Pure Quartz Sand with High Grade Acrylic Binders

## Available Color/Finishes

Intended for reference only

## Installation

- Undermount

Color	Description
	Alpina
	Chroma
	Concrete
	Gunmetal
	Mocha
	Onyx
	Sand

---

6140 Ulmerton Road Clearwater, FL 33760

Phone: (727) 388-9895

Fax: (727) 362-1281

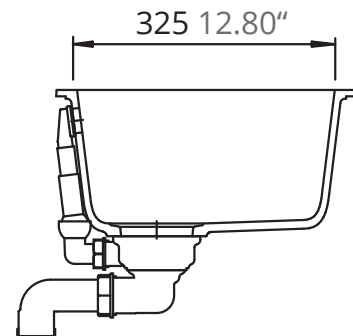
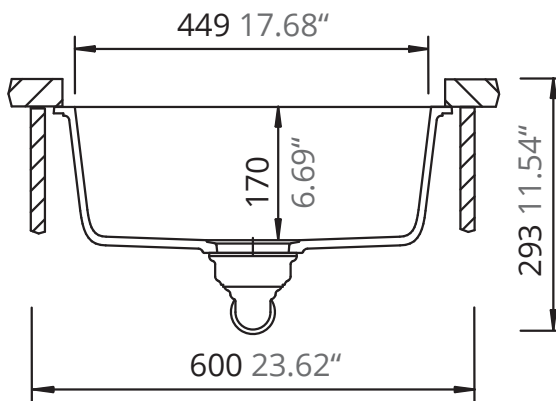
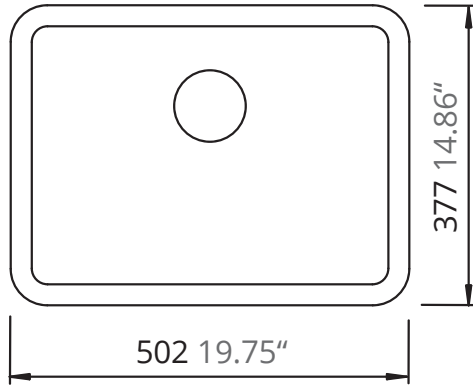
For the most current Specification Sheet, go to [www.pelicansinks.com](http://www.pelicansinks.com)





# PL-350

Crystallite Series  
Granite Composite Sinks



### Technical Information

All product dimensions are nominal

Exterior Measurements: 19.75" x 14.86" x 6.69"

Interior Measurements: 17.68" x 12.80" x 6.69"

Bowl Configuration: Single

### Installation Information

Install this product according to the installation instructions.

### Limited Lifetime Warranty

See website for detailed warranty information.

6140 Ulmerton Road Clearwater, FL 33760

Phone: (727) 388-9895

Fax: (727) 362-1281

For the most current Specification Sheet, go to [www.pelicansinks.com](http://www.pelicansinks.com)

