



## PL-GMB108 R15

*Gunmetal Series*

Stainless Steel Sink

### Features

- Single Bowl
- Deep 10" Depth
- 15° Radius Corners for Easy Cleaning
- Rear Drain Placement and Sleek Lines for Optimum Draining
- Fitted Sound Deadening Pads



### Material

- 16-Gauge Stainless Steel

### Installation

- Undermount

### Available Color/Finishes

Intended for reference only

Color	Description
-------	-------------



---

6140 Ulmerton Road Clearwater, FL 33760

Phone: (727) 388-9895

Fax: (727) 362-1281

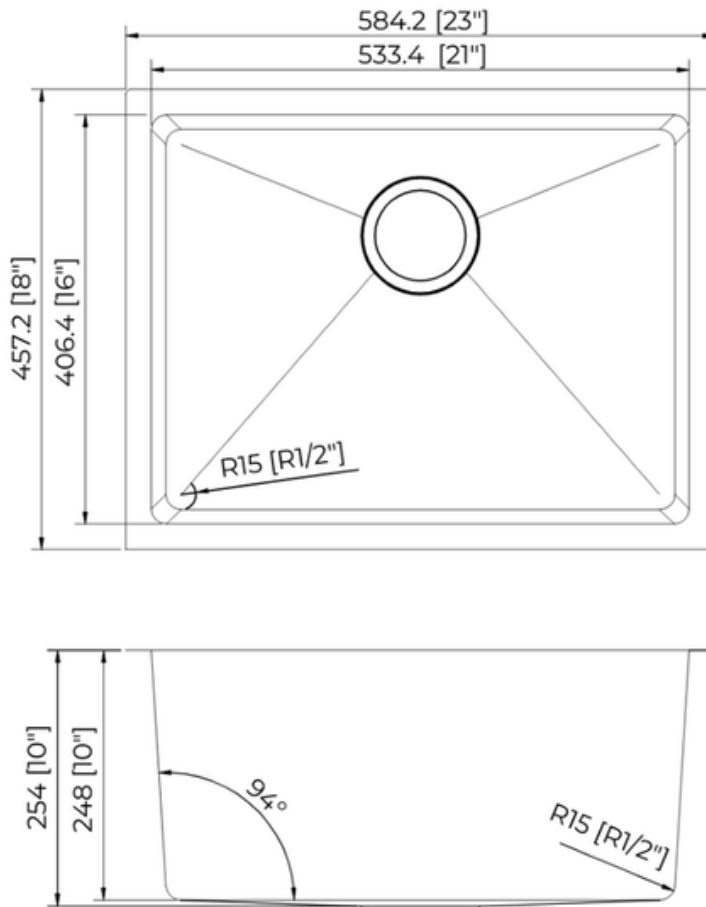
For the most current Specification Sheet, go to [www.pelicansinks.com](http://www.pelicansinks.com)





# PL-GMB108 R15

Gunmetal Series  
Stainless Steel Sink



### Technical Information

All product dimensions are nominal

Exterior Measurements: 23" x 18" x 10"

Interior Measurements: 21" x 16" x 10"

Bowl Configuration: Single

### Installation Information

Install this product according to the installation instructions.

### Limited Lifetime Warranty

See website for detailed warranty information.

6140 Ulmerton Road Clearwater, FL 33760

Phone: (727) 388-9895

Fax: (727) 362-1281

For the most current Specification Sheet, go to [www.pelicansinks.com](http://www.pelicansinks.com)

