



PL-GMB122 R15

Gunmetal Series
Stainless Steel Sink

Features

- Single Bowl
- Apron Front
- Deep 10" Depth
- 15° Radius Corners for Easy Cleaning
- Rear Drain Placement and Sleek Lines for Optimum Draining
- Fitted Sound Deadening Pads



Material

- 16-Gauge Stainless Steel

Installation

- Undermount

Available Color/Finishes

Intended for reference only

Color	Description
■	Gunmetal Black

6140 Ulmerton Road Clearwater, FL 33760

Phone: (727) 388-9895

Fax: (727) 362-1281

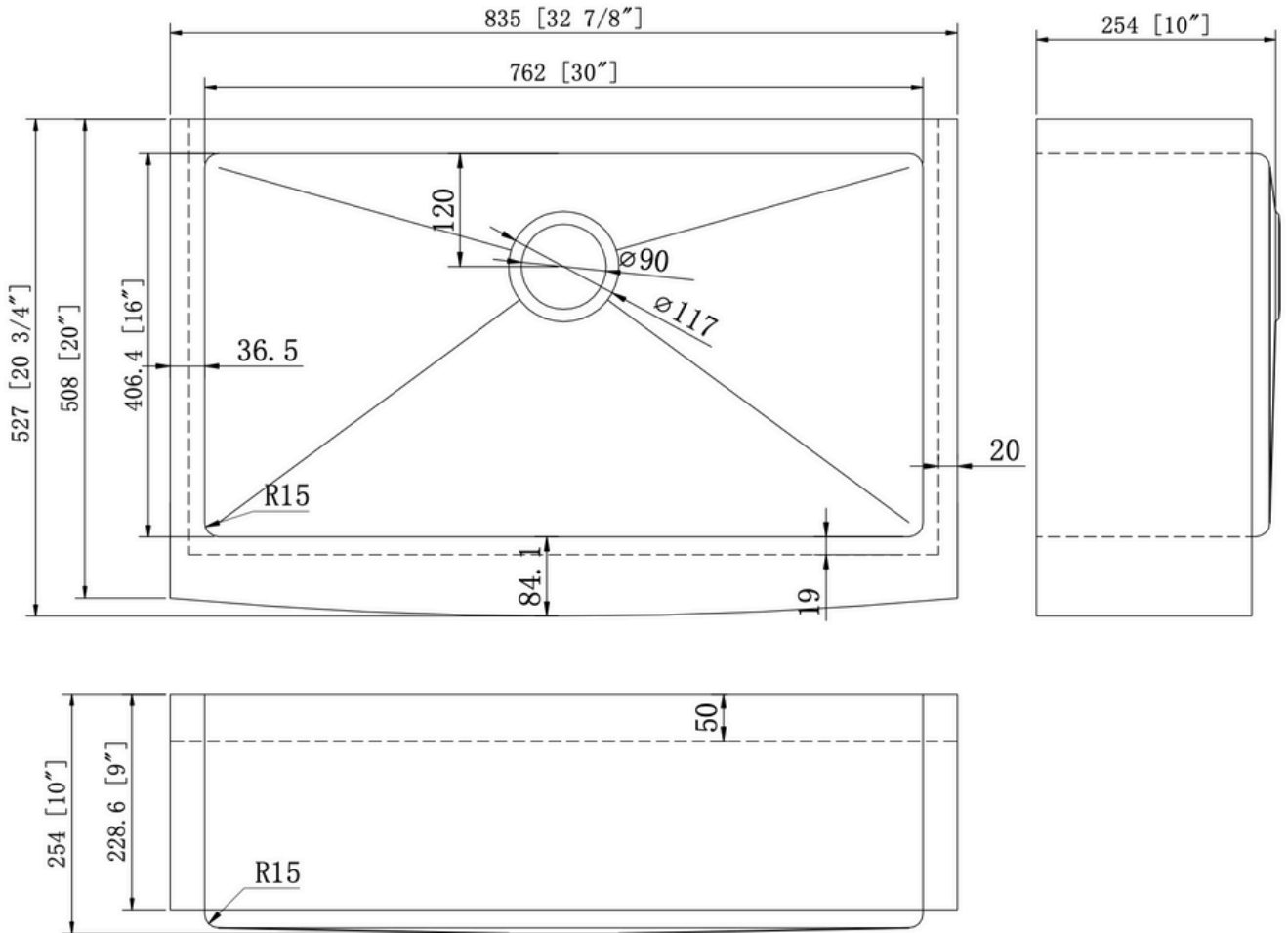
For the most current Specification Sheet, go to www.buildpelican.com





PL-GMB122 R15

Gunmetal Series
Stainless Steel Sink



Technical Information

All product dimensions are nominal

Exterior Measurements: 32 7/8" x 20 3/4" x 10"

Interior Measurements: 30" x 16" x 10"

Bowl Configuration: Single

Installation Information

Install this product according to the installation instructions.

Limited Lifetime Warranty

See website for detailed warranty information.

6140 Ulmerton Road Clearwater, FL 33760

Phone: (727) 388-9895

Fax: (727) 362-1281

For the most current Specification Sheet, go to www.buildpelican.com

