



## PL-HA126 ADA R15 18g

ADA Compliant Series  
Stainless Steel Sink

### Features

- Double Bowl
- ADA Compliant
- Handcrafted 15° Radius Corners
- Fitted Sound Deadening Pads
- ADA Compliant Bowl Depth



### Material

- 18-Gauge Stainless Steel

### Installation

- Undermount



### Codes/Standards

- ADA Compliant

---

6140 Ulmerton Road Clearwater, FL 33760  
Phone: (727) 388-9895  
Fax: (727) 362-1281

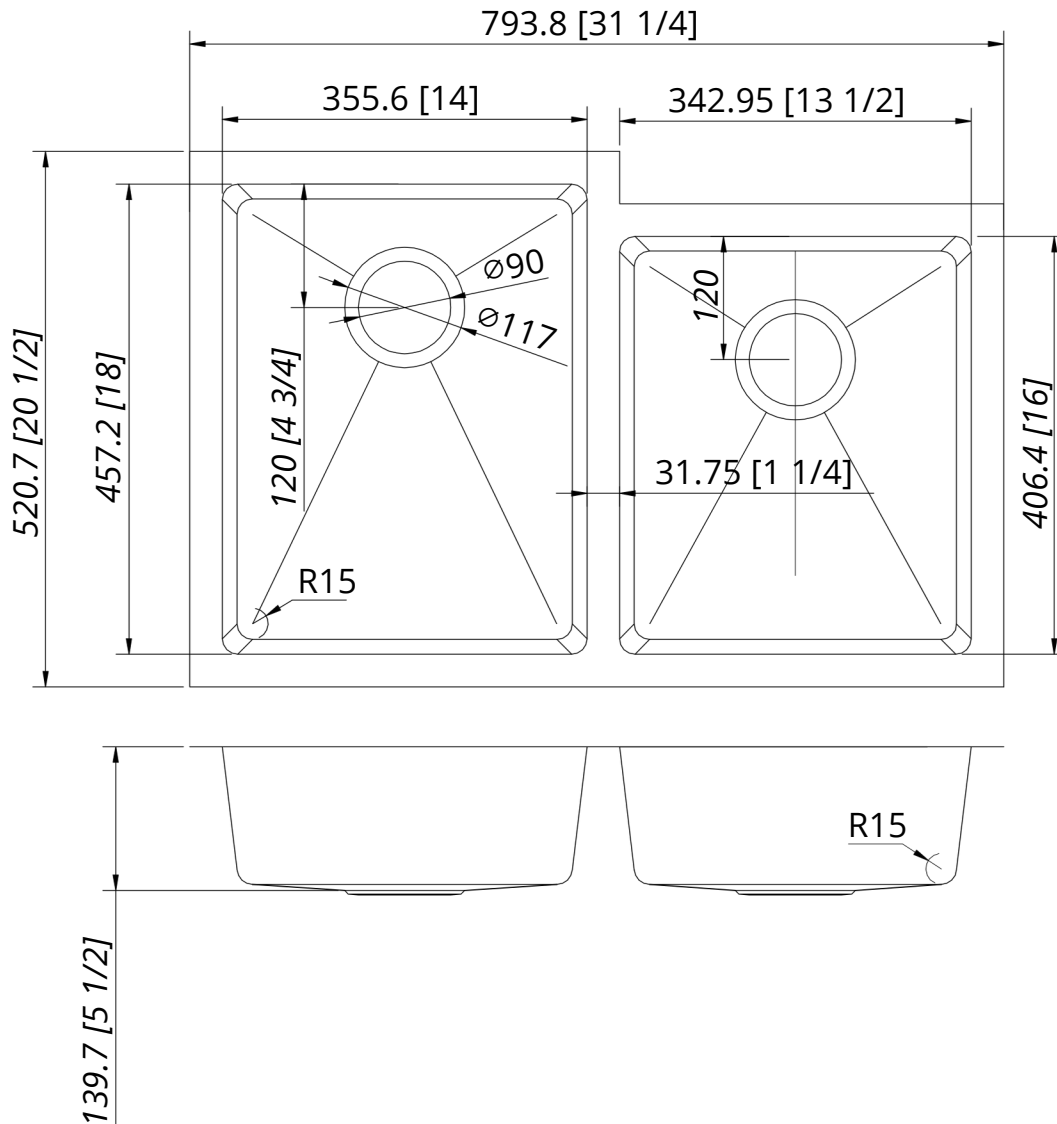
For the most current Specification Sheet, go to [www.buildpelican.com](http://www.buildpelican.com)





# PL-HA126 ADA R15 18g

ADA Compliant Series  
Stainless Steel Sink



## Technical Information

All product dimensions are nominal

Exterior Measurements: 31 1/4" x 20 1/2" x 5 1/2"

Left Bowl: 14" x 18" x 5 1/2"

Right Bowl: 13 1/2" x 16" x 5 1/2"

Bowl Configuration: Double

## Installation Information

Install this product according to the installation instructions.

## Limited Lifetime Warranty

See website for detailed warranty information.

6140 Ulmerton Road Clearwater, FL 33760

Phone: (727) 388-9895

Fax: (727) 362-1281

For the most current Specification Sheet, go to [www.buildpelican.com](http://www.buildpelican.com)

