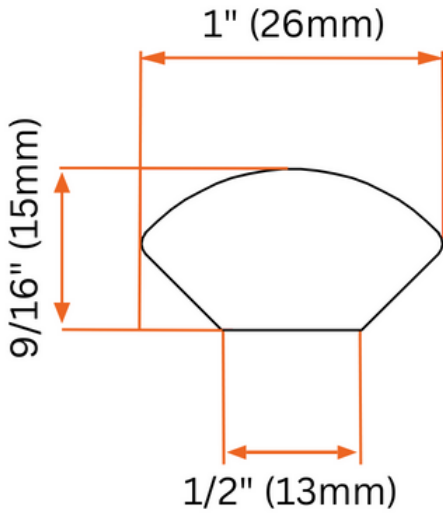
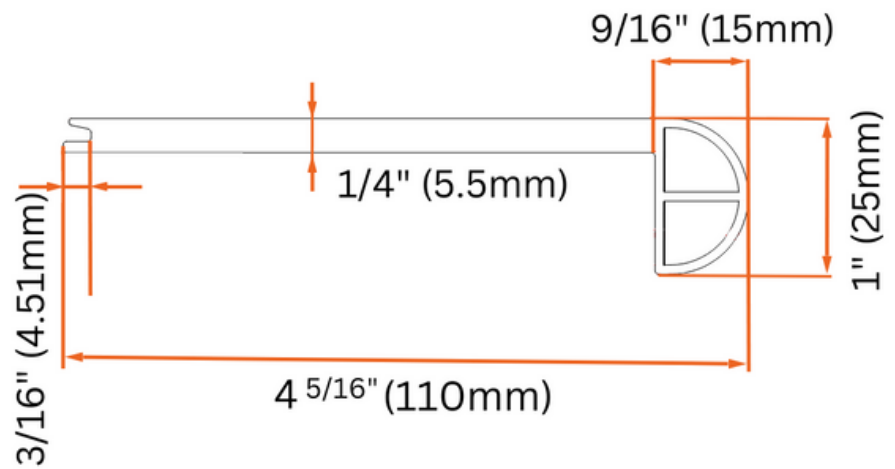


## QUARTER ROUND



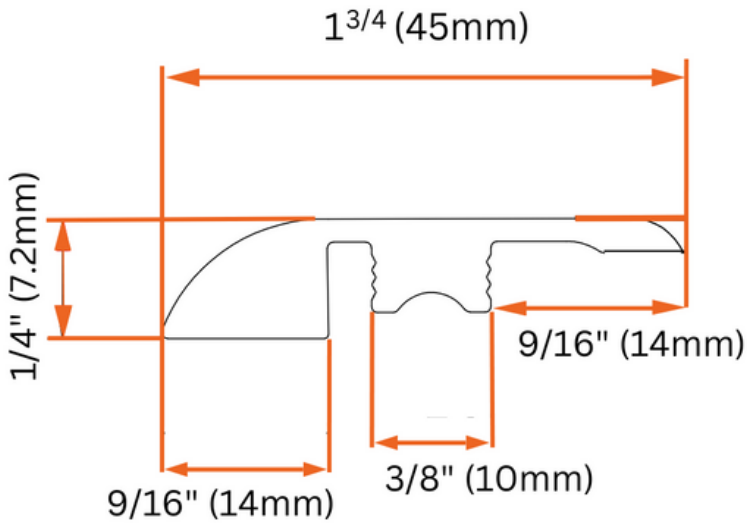
LENGTH: 94<sup>1</sup>/<sub>2</sub>" (2400mm)

## STAIRNOSE



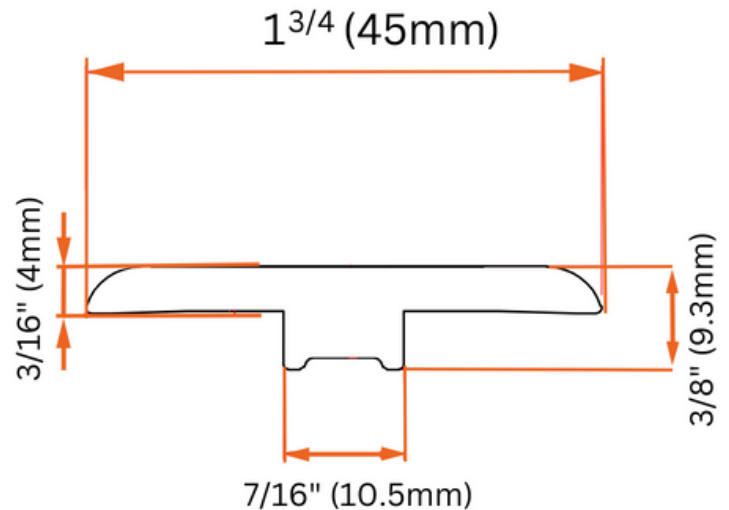
LENGTH: 94<sup>1</sup>/<sub>2</sub>" (2400mm)

## REDUCER



LENGTH: 94<sup>1</sup>/<sub>2</sub>" (2400mm)

## T-MOLDING



LENGTH: 94<sup>1</sup>/<sub>2</sub>" (2400mm)