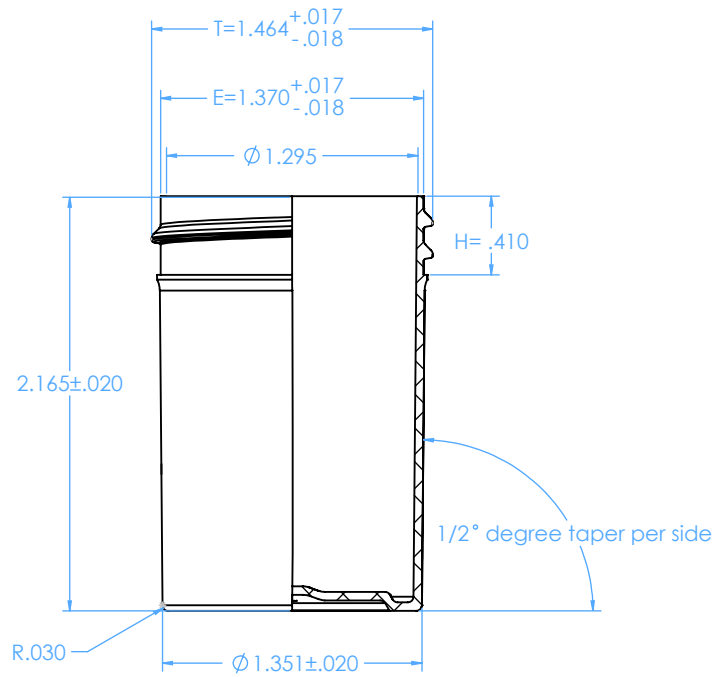




CITADEL

— PACKAGING —

CitadelPackaging.com • 208-550-3393



DECORATION AREA

WRAP: 4.1 inches
 HEIGHT: 0.36 inches
 DRAFT: $1/2^\circ$ per side

REVISIONS				UNLESS OTHERWISE NOTED DIMENSIONS ARE IN INCHES TOLERANCES ARE:		MATERIAL:	POLYSTYRENE	PART DESCRIPTION:				
REV.	DATE	DESCRIPTION	BY	DIM.	TOL.	APPROX WEIGHT:	7.85 grams	1 oz Clear 38-400 Polystyrene (PS) Single Wall Plastic Jar				
		NEW		.00	.030	APPROX OVERFLOW:	8.0 ml					
				.000	.020	THREAD:	"M" STYLE, 6 TPI PITCH					
COMMENTS: MADE IN U.S.A.				DRAWN BY: J.T.		APPROVED BY: C.M.		DATE: 08/25/2022	SCALE: 2:1	DO NOT SCALE DRAWING	REV. A	SIZE A

SHEET 1 OF 1