

CIRCUIT BALANCING VALVES 1710L Low Flow

APPLICATIONS

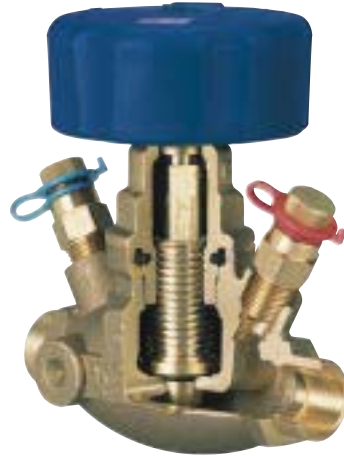
- Globe style balancing valve for use in hot water circulation systems
- Provides adequate amounts of water at prescribed temperatures to all fixtures and equipment
- Balancing valves provide desired flow distribution throughout the system
- A properly sized and balanced system will provide an economic and efficient heat source while conserving energy
- 0.5 GPM Flow Rate
- 240 PSI to 250°F

MATERIALS & CONSTRUCTION

- Dezincification resistant brass body, bonnet and trim
- Two integral test ports
- Memory stop feature
- Position display window on handwheel

DESIGN CRITERIA

- ANSI B1.20.1 (NPT ends)
- ANSI B16.18 (Solder ends)



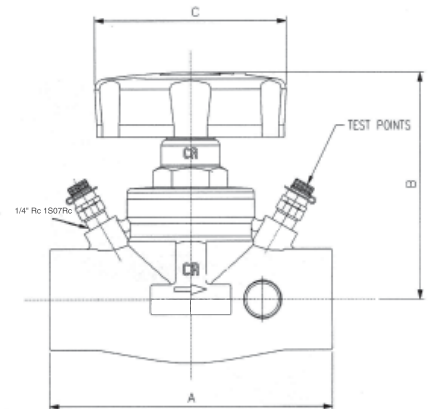
S1710L



T1710L

MATERIAL LIST

PART	SPECIFICATION
1. Body	DZR Metal
2. Handwheel	Polymer
3. Isolating Stem	DZR Metal
4. Stem Seals	EPDM
5. Regulating Stem	DZR Metal
6. Bonnet	DZR Metal
7. Disc Nut	DZR Metal
8. Disk Seat Ring	DZR Metal
9. Disk "O" Ring	EPDM



DIMENSIONS — WEIGHTS — QUANTITIES

Size	A		B		C		D		T1710		S1710		Master Ctn. Qty.	
	in	mm	in	mm	in	mm	in	mm	lbs	kg	lbs	kg		
1/2	15	3.94	100	3.82	97	2.75	70	1.06	27	1.65	.75	1.65	.75	1

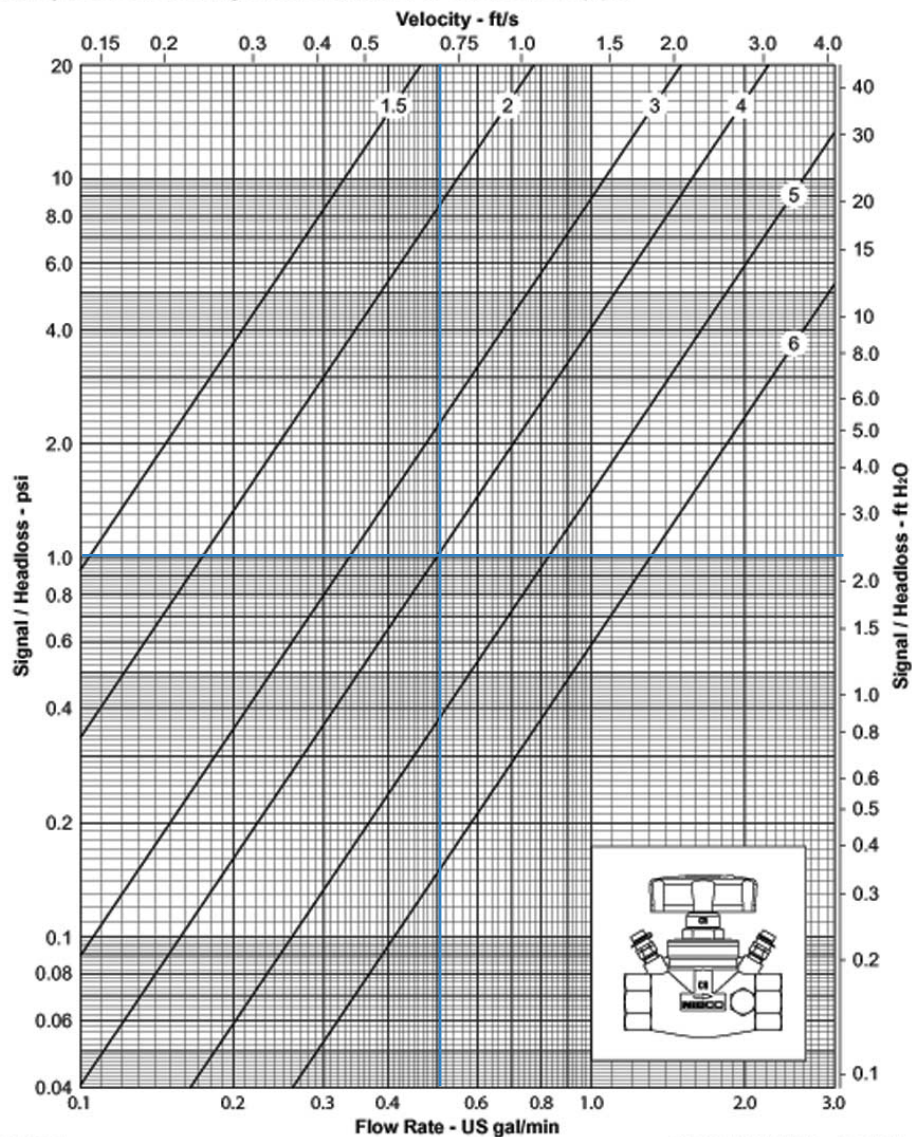
Low Flow Circuit Balancing Valve

Straight Pattern Globe • Non-Rising Stem Design • Fitted with 2 Test Points for Differential Pressure Measurement • Integral Internal Memory Stop

1/2" Fig. T1710L - S1710L Low Flow Balancing Valve

Graph of Signal/Head loss against Flow Rate indicating pressure drop attributable to the valve installed in a circuit.

Velocity based on average inside diameter of Schedule 40 pipe.



Issue 1

1/2 in Fig T1710L - S1710L