

**SPRING
RETURN
HANDLE FOR
CARBON AND
STAINLESS
BALL VALVES**

The NIBCO® Spring Return Handle allows for manual opening of a ball valve, but automatically closes when released. The valve option is ideal for applications such as sampling, draining, or refueling operations because it eliminates the risk of leaving the valve in the open position unintentionally.

The handle is robustly constructed of stainless steel material, designed for durability and corrosion resistance. This handle can be purchased on stainless or carbon steel body valves.

BALL VALVES

APPLICATIONS

- Hot and Cold Water
- HVAC (condensers, chilled water, hot water heating)
- Chemical Processing/Sampling
- Utility Service
- Petrochemical

MATERIALS & CONSTRUCTION

- Spring Return Handle to Close
 - Stainless Steel
- Two-piece Investment Cast Body
 - Stainless Steel (CF8M)
 - Carbon Steel (WCB)
- Full Port (585 series)
 - 1000 PSI/69 Bar Non-Shock CWP
- Conventional Port (580 series)
 - 2000 PSI/138 Bar Non-Shock CWP
- Blowout-proof Stem
- 316 Stainless Steel Trim
- Vented Ball
- Size Range 1/4" - 2"

DESIGN CRITERIA

- Conforms to:
 - MSS SP-110
 - NACE MR0175



T-580-S6-R-66-SR
T-585-S6-R-66-SR
NPT x NPT



TC-580-CS-R-25-SR
TC-580-CS-R-66-SR
NPT x NPT

Stainless Steel Ball Valves with Spring Return Handle

Spring Return Handle to Close • Two-Piece Body • Conventional Port • Blowout-Proof Stem • 316 SS Trim • Vented Ball

2000 PSI/138 bar non-shock cold working pressure*

CONFORMS TO MSS SP-110 & NACE MR0175

MATERIAL LIST

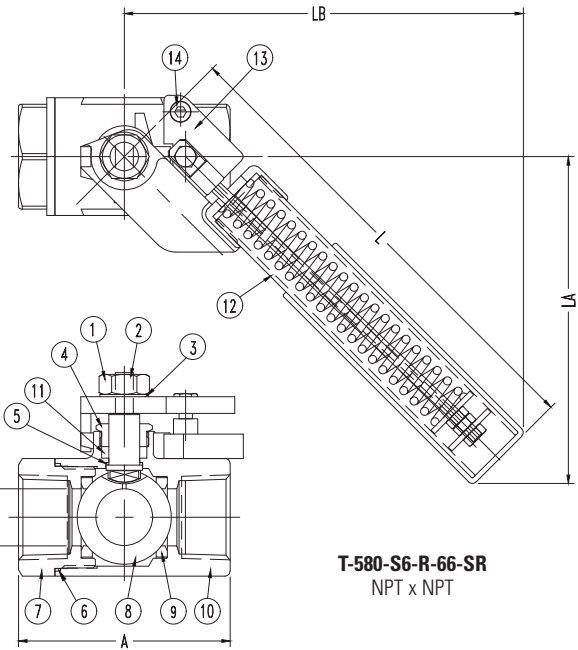
PART	SPECIFICATION
1. Handle Nut	Stainless Steel Type 304
2. Stem	Stainless Steel Type 316
3. Lock Washer	Stainless Steel Type 304
4. Threaded Pack Gland	Stainless Steel Type 316
5. Thrust Washer	Carbon Filled PTFE
6. Gasket	Reinforced PTFE
7. Body End Piece	Stainless Steel ASTM A351 Type CF8M
8. Ball (Vented)	Stainless Steel ASTM A276 Type 316 or ASTM A351 Type CF8M
9. Seats (2)	Reinforced PTFE
10. Body	Stainless Steel ASTM A351 Type CF8M
11. Stem Packing	Carbon Filled PTFE
12. Handle	Stainless Steel Type 316 & 304 w/Vinyl Cover
13. Mounting Plate	Stainless Steel ASTM A351 Type CF8M
14. Socket Head Cap Screw (2)	Stainless Steel Type 304

**NOTE: Valves are static grounded by thrust washer and packing.
Valves tested in accordance with ASME B16.34**



T-580-S6-R-66-SR

Threaded



T-580-S6-R-66-SR
NPT x NPT

DIMENSIONS—WEIGHTS—QUANTITIES

Size	Dimensions								T-580-S6-R-66-SR Master									
	A		B		D		H		L	LA	LB	Lbs.	Kg.	Ctn. Qty.				
In. mm.	In.	mm.	In.	mm.	In.	mm.	In.	mm.	In. mm.	In. mm.	In. mm.							
¼	8	2.08	52.80	0.94	24.00	0.37	9.50	1.54	39.25	7.09	180.00	4.88	123.93	5.74	145.85	0.60	0.27	10
⅜	10	2.08	52.80	0.94	24.00	0.37	9.50	1.54	39.25	7.09	180.00	4.88	123.93	5.74	145.85	0.75	0.34	10
½	15	2.34	59.50	1.18	30.00	0.50	12.70	1.69	42.95	7.09	180.00	4.88	123.93	5.74	145.85	1.34	0.61	8
¾	20	2.80	71.00	1.50	38.00	0.69	17.50	2.02	51.25	7.28	185.00	4.92	124.99	5.98	151.86	2.05	0.93	8
1	25	3.26	82.70	1.81	46.00	0.87	22.20	2.16	54.85	7.28	185.00	4.92	124.99	5.98	151.86	2.53	1.15	8
1 ¼	32	3.60	91.4	2.09	53.00	1.00	24.40	2.41	61.21	9.25	235.00	6.30	160.00	6.71	170.50	3.42	1.55	2
1 ½	40	4.06	103.0	2.52	64.00	1.25	31.75	2.60	66.01	9.25	235.00	6.30	160.00	6.71	170.50	4.66	2.11	2
2	50	4.65	118.0	3.03	77.00	1.50	38.10	2.87	72.81	9.25	235.00	6.30	160.00	6.71	170.50	6.44	2.92	2

◆ For detailed operating pressure, refer to pressure temperature chart on pages 66 and 67 in the Ball catalog.

Visit our website for the most current information.

Stainless Steel Ball Valves with Spring Return Handle

Spring Return Handle to Close • Two-Piece Body • Full Port • Blowout-Proof Stem •
316 SS Trim • Vented Ball

1000 PSI/69 bar non-shock cold working pressure*

CONFORMS TO MSS SP-110 & NACE MR0175

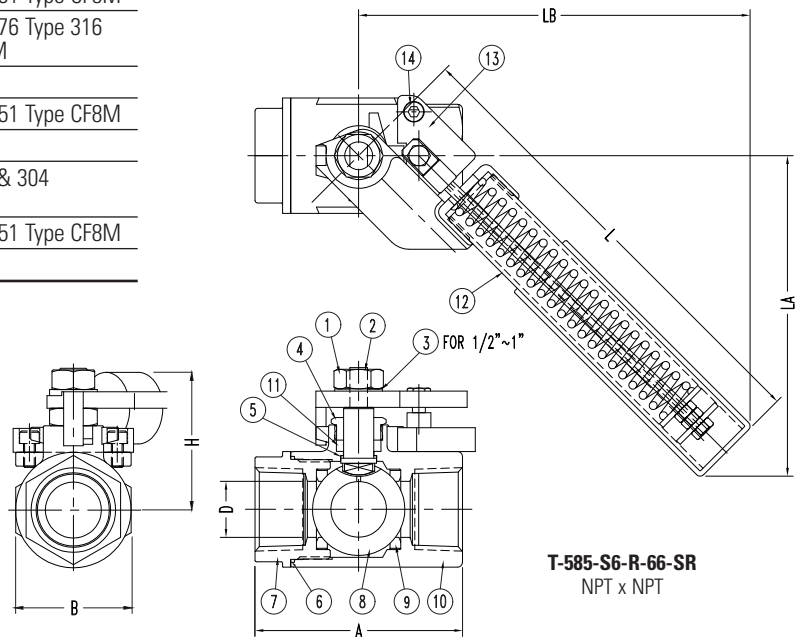
MATERIAL LIST

PART	SPECIFICATION
1. Handle Nut	Stainless Steel Type 304
2. Stem	Stainless Steel Type 316
3. Lock Washer	Stainless Steel Type 304
4. Threaded Pack Gland	Stainless Steel Type 316
5. Thrust Washer	Carbon Filled PTFE
6. Gasket	Reinforced PTFE
7. Body End Piece	Stainless Steel ASTM A351 Type CF8M
8. Ball (Vented)	Stainless Steel ASTM A276 Type 316 or ASTM A351 Type CF8M
9. Seats (2)	Reinforced PTFE
10. Body	Stainless Steel ASTM A351 Type CF8M
11. Stem Packing	Carbon Filled PTFE
12. Handle	Stainless Steel Type 316 & 304 w/Vinyl Cover
13. Mounting Plate	Stainless Steel ASTM A351 Type CF8M
14. Socket Head Cap Screw (2)	Stainless Steel Type 304

NOTE: Valves are static grounded by thrust washer and packing.
Valves tested in accordance with ASME B16.34



T-585-S6-R-66-SR
Threaded



DIMENSIONS—WEIGHTS—QUANTITIES

Size	Dimensions								T-585-S6-R-66-SR Master									
	A		B		D		H		L		LA		LB		Lbs.	Kg.	Ctn. Qty.	
In.	mm.	In.	mm.	In.	mm.	In.	mm.	In.	mm.	In.	mm.	In.	mm.					
¼	8	2.20	56.00	1.10	28.00	0.43	11.00	1.68	42.75	7.09	180.00	4.88	123.93	5.74	145.85	0.60	0.27	10
⅜	10	2.20	56.00	1.10	28.00	0.43	11.00	1.68	42.75	7.09	180.00	4.88	123.93	5.74	145.85	0.75	0.34	10
½	15	2.60	66.00	1.26	32.00	0.56	14.20	1.75	44.65	7.09	180.00	4.88	123.93	5.74	145.85	1.34	0.61	8
¾	20	2.99	76.00	1.65	42.00	0.81	20.50	2.10	53.25	7.28	185.00	4.92	124.99	5.98	151.86	2.05	0.93	6
1	25	3.54	90.00	2.05	52.00	1.00	25.40	2.27	57.65	7.28	185.00	4.92	124.99	5.98	151.86	2.05	0.93	6

◆ For detailed operating pressure, refer to pressure temperature chart on pages 66 and 67 in the Ball catalog.

Visit our website for the most current information.

Carbon Steel Ball Valves with Spring Return Handle

Spring Return Handle to Close • Two-Piece Body • Conventional Port • Blowout-Proof Stem • CS Trim • Vented Ball

2000 PSI/138 bar non-shock cold working pressure*

CONFORMS TO MSS SP-110 & NACE MR0175

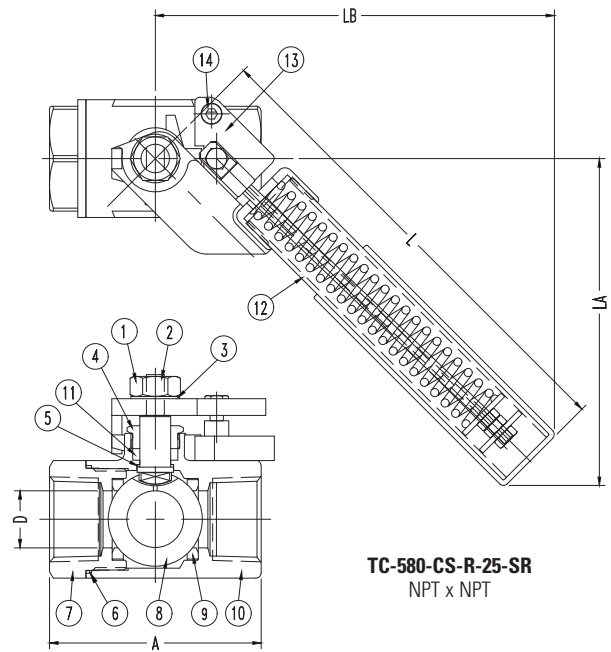
MATERIAL LIST

PART	SPECIFICATION
1. Handle Nut	Stainless Steel Type 304
2. Stem	Carbon Steel ASTM A108 Type 1045
3. Lock Washer	Stainless Steel Type 304
4. Threaded Pack Gland	Stainless Steel Type 316
5. Thrust Washer	Carbon Filled PTFE
6. Gasket	Reinforced PTFE
7. Body End Piece	Carbon Steel ASTM A216 Grade WCB (Investment Cast)*
8. Ball (Vented)	Stainless Steel ASTM A276 Type 304
9. Seats (2)	Reinforced PTFE
10. Body	Carbon Steel ASTM A216 Grade WCB (Investment Cast)
11. Stem Packing	Carbon Filled PTFE
12. Handle	Stainless Steel Type 316 & 304 w/Vinyl Cover
13. Mounting Plate	Stainless Steel ASTM A351 Type CF8M
14. Socket Head Cap Screw (2)	Stainless Steel Type 304

NOTE: Valves are static grounded by thrust washer and packing.



TC-580-CS-R-25-SR
Threaded



TC-580-CS-R-25-SR
NPT x NPT

DIMENSIONS—WEIGHTS—QUANTITIES

Size	Dimensions										T-580-S6-R-66-SR Master							
	A		B		D		H		L		LA		LB		Lbs.	Kg.	Ctn. Qty.	
In.	mm.	In.	mm.	In.	mm.	In.	mm.	In.	mm.	In.	mm.	In.	mm.	In.	mm.			
¼	8	2.08	52.80	0.94	24.00	0.37	9.50	1.54	39.25	7.09	180.00	4.88	123.93	5.74	145.85	0.60	0.27	10
⅜	10	2.08	52.80	0.94	24.00	0.37	9.50	1.54	39.25	7.09	180.00	4.88	123.93	5.74	145.85	0.75	0.34	10
½	15	2.34	59.50	1.18	30.00	0.50	12.70	1.69	42.95	7.09	180.00	4.88	123.93	5.74	145.85	1.34	0.61	8
¾	20	2.80	71.00	1.50	38.00	0.69	17.50	2.02	51.25	7.28	185.00	4.92	124.99	5.98	151.86	2.05	0.93	8
1	25	3.26	82.70	1.81	46.00	0.87	22.20	2.16	54.85	7.28	185.00	4.92	124.99	5.98	151.86	2.05	0.93	8
1 ¼	32	3.60	91.4	2.09	53.00	1.00	24.40	2.41	61.21	9.25	235.00	6.30	160.00	6.71	170.50	3.42	1.55	2
1 ½	40	4.06	103.0	2.52	64.00	1.25	31.75	2.60	66.01	9.25	235.00	6.30	160.00	6.71	170.50	4.66	2.11	2
2	50	4.65	118.0	3.03	77.00	1.50	38.10	2.87	72.81	9.25	235.00	6.30	160.00	6.71	170.50	6.44	2.92	2

◆ For detailed operating pressure, refer to pressure temperature chart on pages 66 and 67 in the Ball catalog.

Visit our website for the most current information.

Carbon Steel Ball Valves with Spring Return Handle

Spring Return Handle to Close • Two-Piece Body • Conventional Port • Blowout-Proof Stem • 316 SS Trim • Vented Ball

2000 PSI/138 Bar Non-Shock Cold Working Pressure*

CONFORMS TO MSS SP-110 & NACE MR0175

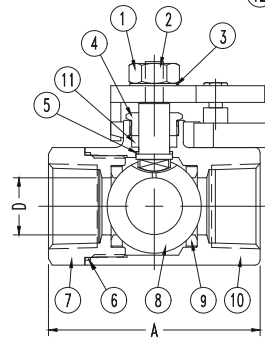
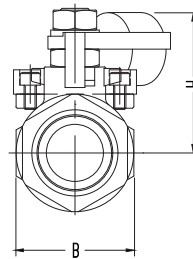
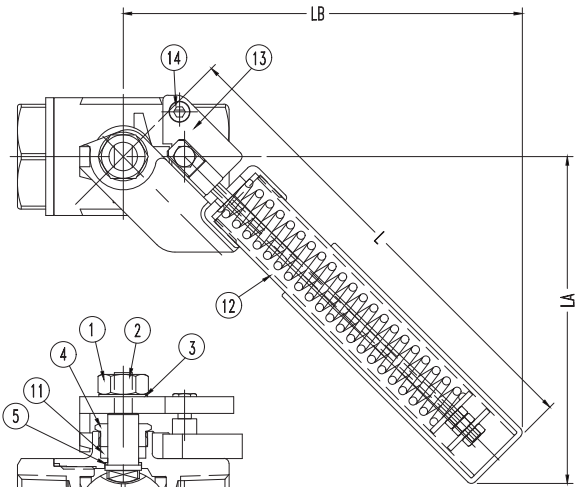
MATERIAL LIST

PART	SPECIFICATION
1. Handle Nut	Stainless Steel Type 304
2. Stem	Stainless Steel Type 316
3. Lock Washer	Stainless Steel Type 304
4. Threaded Pack Gland	Stainless Steel Type 316
5. Thrust Washer	Carbon Filled PTFE
6. Gasket	Reinforced PTFE
7. Body End Piece	Carbon Steel ASTM A216 Grade WCB (Investment Cast)
8. Ball (Vented)	Stainless Steel ASTM A276 Type 316 or ASTM A351 Type CF8M
9. Seats (2)	Reinforced PTFE
10. Body	Carbon Steel ASTM A216 Grade WCB (Investment Cast)
11. Stem Packing	Carbon Filled PTFE
12. Handle	Stainless Steel Type 316 & 304 w/Vinyl Cover
13. Mounting Plate	Stainless Steel ASTM A351 Type CF8M
14. Socket Head Cap Screw (2)	Stainless Steel Type 304

NOTE: Valves are static grounded by thrust washer and packing.



TC-580-CS-R-66-SR
Threaded



TC-580-CS-R-66-SR
NPT x NPT

DIMENSIONS—WEIGHTS—QUANTITIES

Size	Dimensions								T-580-S6-R-66-SR Master									
	A		B		D		H		L		LB		Lbs.	Kg.	Ctn. Qty.			
In.	mm.	In.	mm.	In.	mm.	In.	mm.	In.	mm.	In.	mm.	In.	mm.					
¼	8	2.08	52.80	0.94	24.00	0.37	9.50	1.54	39.25	7.09	180.00	4.88	123.93	5.74	145.85	0.60	0.27	10
⅜	10	2.08	52.80	0.94	24.00	0.37	9.50	1.54	39.25	7.09	180.00	4.88	123.93	5.74	145.85	0.75	0.34	10
½	15	2.34	59.50	1.18	30.00	0.50	12.70	1.69	42.95	7.09	180.00	4.88	123.93	5.74	145.85	1.34	0.61	8
¾	20	2.80	71.00	1.50	38.00	0.69	17.50	2.02	51.25	7.28	185.00	4.92	124.99	5.98	151.86	2.05	0.93	8
1	25	3.26	82.70	1.81	46.00	0.87	22.20	2.16	54.85	7.28	185.00	4.92	124.99	5.98	151.86	2.05	0.93	8
1 ¼	32	3.60	91.4	2.09	53.00	1.00	24.40	2.41	61.21	9.25	235.00	6.30	160.00	6.71	170.50	3.42	1.55	2
1 ½	40	4.06	103.0	2.52	64.00	1.25	31.75	2.60	66.01	9.25	235.00	6.30	160.00	6.71	170.50	4.66	2.11	2
2	50	4.65	118.0	3.03	77.00	1.50	38.10	2.87	72.81	9.25	235.00	6.30	160.00	6.71	170.50	6.44	2.92	2

◆For detailed operating pressure, refer to pressure temperature chart on pages 66 and 67 in the Ball catalog.

Visit our website for the most current information.

VALVES

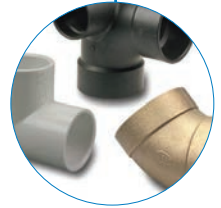


Pressure-rated bronze, iron and alloy-iron gate, globe and check valves • Pressure-rated bronze ball valves • Boiler specialty valves • Commercial and industrial butterfly valves • Lined butterfly valves • Circuit balancing valves and kits • Carbon and stainless steel ball valves • ANSI flanged steel ball valves • Lined ball valves • Pneumatic and electric actuators and controls • Grooved ball and butterfly valves • High performance butterfly valves • UL/FM fire protection valves • MSS specification valves • Bronze specialty valves • Low pressure gate, globe, check and ball valves • Frostproof sillcocks • Quarter-turn supply stops • Quarter-turn low pressure valves • PVC and CPVC plumbing and industrial ball valves • Bronze and iron y-strainers • Sample valves • Sanitary valves • Lead-free valves • Hydronic valves • Labor saving valves • Manifold systems • Water temperature control valves • System quality valves • Press x PEX transition valves

FITTINGS

Wrot and cast copper pressure and drainage fittings • Cast copper alloy flanges • Powder coated steel companion flanges • Wrot and cast press fittings • ABS and PVC DWV fittings • Schedule 40 PVC pressure fittings • CPVC CTS fittings • CPVC CTS-to-metal transition fittings • Schedule 80 PVC and CPVC systems • Lead-free fittings • Press x PEX transition fittings • Cast bronze push fittings

LEAD-FREE: Weighted average lead content ≤0.25%



INDUSTRIAL PLASTICS

PVC and Corzan® CPVC schedule 80 fittings, true union ball and ball check valves, butterfly valves, and specialty valves • Polypropylene and Kynar® PVDF schedule 80 pipe, fittings, and true union ball and ball check valves • Pneumatic and electric actuation systems

Corzan® are registered trademarks of the Lubrizol Corporation
Kynar® is a registered trademark of Arkema Inc.



eNIBCO

EDI—Electronic Data Interchange • VMI—Vendor Managed Inventory • NIBCO.com • NIBCOpartner.com



NIBCO®
AHEAD OF THE FLOW®

NIBCO INC.
WORLD HEADQUARTERS
WEB: www.nibco.com

1516 MIDDLEBURY STREET
ELKHART, IN 46516-4740
USA

DOMESTIC CUSTOMER SERVICE
PHONE: 800.234.0227
FAX: 800.234.0557

TECHNICAL SERVICE
PHONE: 888.446.4226
FAX: 888.336.4226

INTERNATIONAL OFFICE
PHONE: +1/574.295.3327
FAX: +1/574.295.3455