



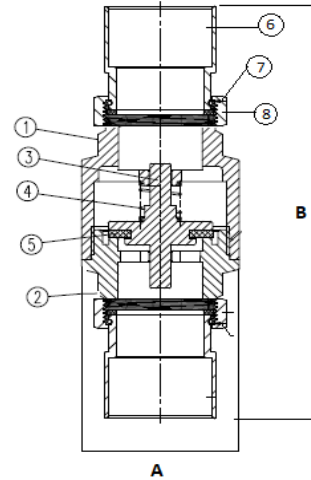
## H-108xW Series

Forged DZR Brass In-Line Spring Check Valve  
 Serviceable Design w/ Dual Union Ends  
 Stainless Steel Spring  
 Soft Seat

### Certifications

Certified to NSF/ANSI 61 & 372  
 Lead-Free

NO.	DESCRIPTION	MATERIAL
1	Body	Lead-Free DZR Brass
2	Cap	Lead-Free DZR Brass
3	Stem	Lead-Free DZR Brass
4	Spring	Stainless Steel
5	Seat	Rubber
6	Union Fitting	Lead-Free DZR Brass
7	Gasket	EPDM
8	Union Nut	Brass



Designed for residential, commercial, or industrial use with water, oil, or gas. Solder joint temperature ratings are per ASME B16.18 Annex A for 95-5 solder. Other solder materials have lower pressure/temperature limits. Do not silver braze or overheat valves when soldering. Threaded ends comply with ANSI B1.20.1. O-Rings in press models are EPDM.

ITEM#	Connection Type	SIZE (In)	Max Temp	Pressure Rating	A	B	Cv/Cracking Pressure
H-10812W	F1807 PEX	1/2"	200°F Max	200 PSI CWP Max	1.80	6.80	8.70 Cv / 0.50 PSI
H-10813W	F1807 PEX	3/4"	200°F Max	200 PSI CWP Max	1.80	6.80	8.70 Cv / 0.50 PSI
H-10814W	F1807 PEX	1"	200°F Max	200 PSI CWP Max	1.80	7.20	8.70 Cv / 0.50 PSI
H-10822W	MIP	1/2"	200°F Max	200 PSI CWP Max	1.80	7.10	8.70 Cv / 0.50 PSI
H-10823W	MIP	3/4"	200°F Max	200 PSI CWP Max	1.80	7.10	8.70 Cv / 0.50 PSI
H-10824W	MIP	1"	200°F Max	200 PSI CWP Max	1.80	7.20	8.70 Cv / 0.50 PSI
H-10825W	MIP	1 1/4"	200°F Max	200 PSI CWP Max	2.51	8.00	20.50 Cv / 0.30 PSI
H-10826W	MIP	1 1/2"	200°F Max	200 PSI CWP Max	2.51	8.10	20.50 Cv / 0.30 PSI
H-10832W	F1960 PEX	1/2"	200°F Max	200 PSI CWP Max	1.80	6.90	8.70 Cv / 0.50 PSI
H-10833W	F1960 PEX	3/4"	200°F Max	200 PSI CWP Max	1.80	7.40	8.70 Cv / 0.50 PSI
H-10834W	F1960 PEX	1"	200°F Max	200 PSI CWP Max	1.80	7.90	8.70 Cv / 0.50 PSI
H-10842W	FIP	1/2"	200°F Max	200 PSI CWP Max	1.80	6.80	8.70 Cv / 0.50 PSI
H-10843W	FIP	3/4"	200°F Max	200 PSI CWP Max	1.80	6.80	8.70 Cv / 0.50 PSI
H-10844W	FIP	1"	200°F Max	200 PSI CWP Max	1.80	6.90	8.70 Cv / 0.50 PSI
H-10845W	FIP	1 1/4"	200°F Max	200 PSI CWP Max	2.51	7.60	20.50 Cv / 0.30 PSI
H-10846W	FIP	1 1/2"	200°F Max	200 PSI CWP Max	2.51	7.80	20.50 Cv / 0.30 PSI
H-10852W	SWT	1/2"	200°F Max	200 PSI CWP Max	1.80	6.60	8.70 Cv / 0.50 PSI
H-10853W	SWT	3/4"	200°F Max	200 PSI CWP Max	1.80	7.10	8.70 Cv / 0.50 PSI
H-10854W	SWT	1"	200°F Max	200 PSI CWP Max	1.80	7.40	8.70 Cv / 0.50 PSI
H-10855W	SWT	1 1/4"	200°F Max	200 PSI CWP Max	2.51	6.30	20.50 Cv / 0.30 PSI
H-10856W	SWT	1 1/2"	200°F Max	200 PSI CWP Max	2.51	8.25	20.50 Cv / 0.30 PSI
H-10882W	Press	1/2"	200°F Max	200 PSI CWP Max	1.80	8.20	8.70 Cv / 0.50 PSI
H-10883W	Press	3/4"	200°F Max	200 PSI CWP Max	1.80	8.70	8.70 Cv / 0.50 PSI
H-10884W	Press	1"	200°F Max	200 PSI CWP Max	1.80	8.70	8.70 Cv / 0.50 PSI
H-10885W	Press	1 1/4"	200°F Max	200 PSI CWP Max	2.51	8.80	20.50 Cv / 0.30 PSI
H-10886W	Press	1 1/2"	200°F Max	200 PSI CWP Max	2.51	9.85	20.50 Cv / 0.30 PSI
H-108G4W	G-Thread	1"	250°F Max	200 PSI CWP Max	1.80	3.37	8.70 Cv / 0.50 PSI
H-108G6W	G-Thread	1 1/2"	250°F Max	200 PSI CWP Max	2.51	3.89	20.50 Cv / 0.30 PSI