



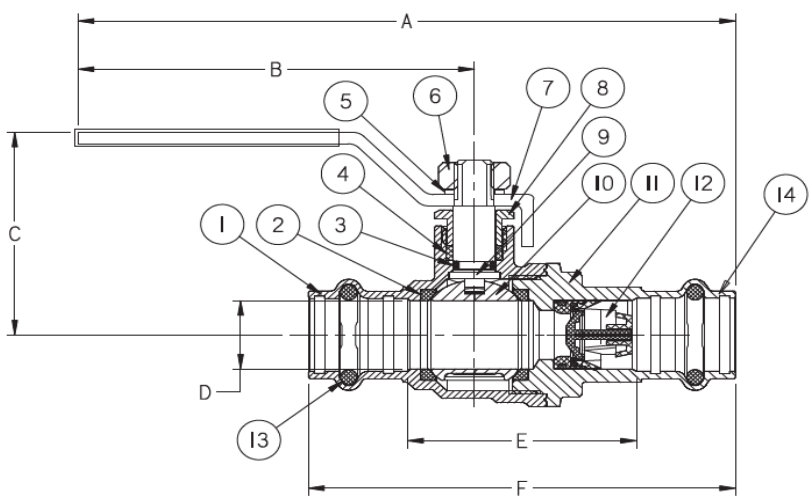
## H-x069W Series

Pro-Pal Ball Check  
 Forged DZR Brass Valve  
 w/ Integrated Spring Check Valve,  
 Reversible Handle  
 & Dual Stem Seal Design

**Certifications**  
 Certified to NSF/ANSI 61 & 372  
 Complies with IAPMO/ANSI Z1157  
 Lead-Free



NO.	DESCRIPTION	MATERIAL
1	Body	Lead-Free DZR Brass
2	Seat	PTFE
3	O-ring	EPDM
4	Packing	PTFE
5	Washer	ASTM 321
6	Handle Nut	Stainless Steel
7	Handle	CP Steel
8	Nut	Brass
9	Stem	Brass
10	Ball	Brass HCP (1/2-1")Stainless Steel (1 1/4 - 2")
11	Cap	Lead-Free DZR Brass
12	Check Valve	OV25-HT Cartridge
13	O-ring	EPDM
14	Metal Ring	Stainless Steel (1 1/4-2")



Designed for residential, commercial, or industrial use with water, oil, or glycol mix.

ITEM#	Connection Type	SIZE (in)	Max Temp	Pressure Rating	A	B	C	D	E	F	Cv/Cracking Pressure
H-80692W	Press	1/2"	250°F Max	250 PSI CWP Max	5.87	3.78	1.83	0.63	1.82	3.39	5 Cv / 0.70 PSI
H-80693W	Press	3/4"	250°F Max	250 PSI CWP Max	6.58	3.98	2.11	0.88	2.39	4.20	11 Cv / 0.50 PSI
H-80694W	Press	1"	250°F Max	250 PSI CWP Max	7.36	4.37	2.58	1.14	2.90	4.71	17 Cv / 0.35 PSI
H-80695W	Press	1 1/4"	250°F Max	250 PSI CWP Max	8.82	5.04	2.70	1.39	3.62	5.86	31 Cv / 0.25 PSI
H-80696W	Press	1 1/2"	250°F Max	250 PSI CWP Max	10.69	6.22	3.16	1.64	4.22	7.00	47 Cv / 0.20 PSI