



Installation Guide

ALUMINA PENDANT

Thoughtful lighting, responsibly designed in London.

Thank you for making the switch to Tala.
Discover the full Tala family at tala.co.uk

BEFORE STARTING

We advise the fitting of our ceiling rose and pendant to be performed by a qualified electrician. Please read through these instructions before commencing work, and keep them for future reference. Please take extreme care when carrying out these instructions.

IMPORTANT

This light fitting must be connected to the supply earth. If your lighting circuit does not have an earth, ask a qualified electrician to provide an earth facility. This light fitting is suitable for indoor use only. This fitting operates on 240V mains voltage. Please visit our website to see our recommended dimmers.

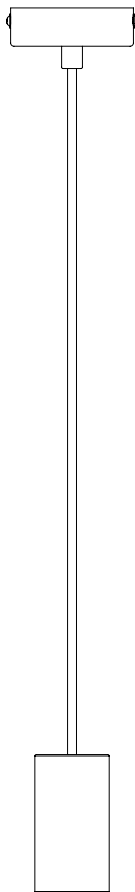
WARNING

You must switch off electricity supply at the mains during installation and maintenance. We strongly recommend that you withdraw the fuse or switch off the circuit breaker whilst work is in progress. Do not only turn off the wall switch. All fittings must be installed in accordance with current Building Regulations and IEE Wiring Regulations.

RECOMMENDED EQUIPMENT

- Screwdriver
- Wire strippers
- Insulation tape

Further equipment may be required for fixing to your ceiling

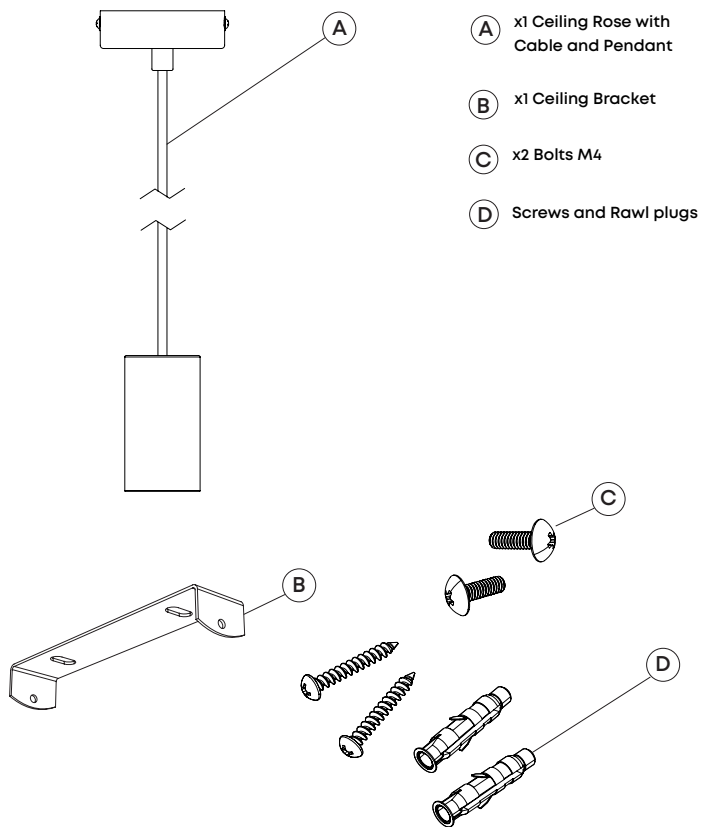


FOR INDOOR USE ONLY

SKU - ALM-CHK-PD-EU



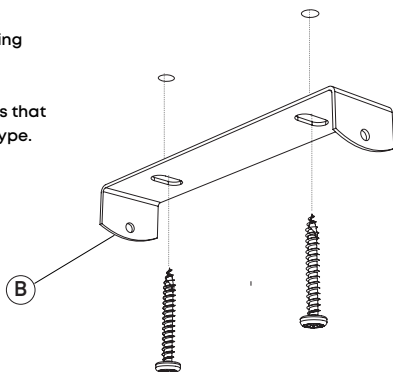
Pendant Components



STEP 1

Attach bracket (B) to your ceiling using screws and plug.

Always choose screws and plugs that are appropriate for the ceiling type.

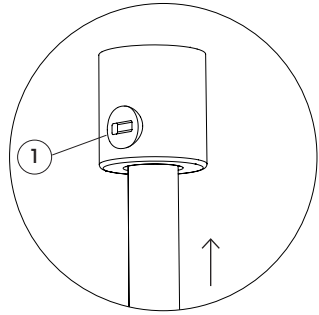


STEP 2

Adjust the cord to your desired length. Using a flat head screw driver, tighten 'grub/set screw' ①.

This will secure the cable in place.

Cut off excess cable and strip wires to expose the copper core. Maintain all double insulation.

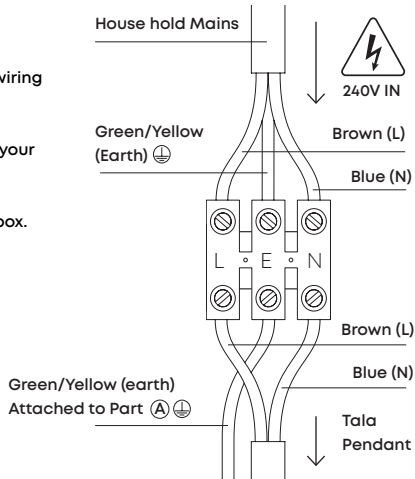


STEP 3

First identify your household wiring using IEE wiring regulations.

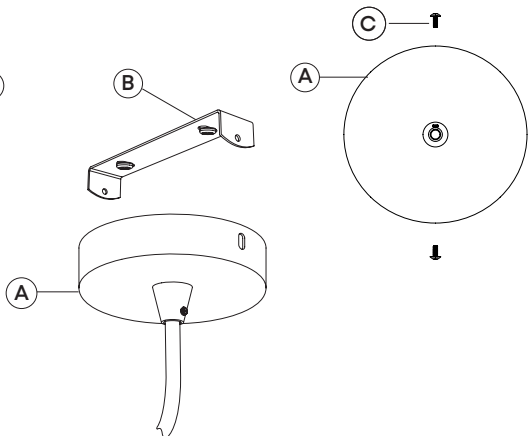
Attach the pendant wiring to your household supply as shown.

Use an appropriate junction box.



STEP 4

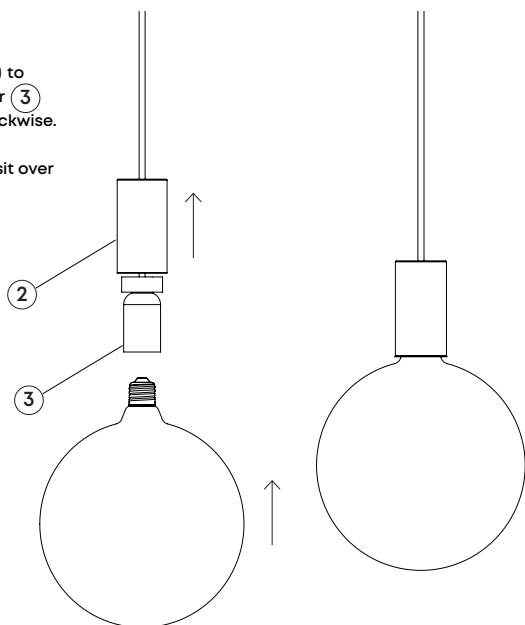
Fasten ① onto ② using the bolts provided ③.



STEP 5

Lift up the shroud (2) to reveal the lampholder (3) and screw bulb in clockwise.


Return the shroud to sit over the lampholder.



WARRANTY AND AFTER-CARE

This product has a two-year warranty. If there appears to be a functional defect with the product during this time, please contact our team at customerservice@tala.co.uk.

Please note, the flexible cable attached to this luminaire cannot be replaced; if the cable is damaged, recycle the luminaire and seek a replacement.

This symbol  indicates that electrical and electronic equipment (WEEE) should not be mixed with general household waste.

For recovery and recycling, please take this product to a designated collection point where it will be accepted free of charge. Many retailers offer this in-store. Disposing of this product correctly will help save valuable resources and prevent any potential negative effects on human health and the environment.

Join the Community

Instagram: @tala | Facebook: talaHQ | Pinterest: TalaLED | Tag: lighttoliveby
Tala Energy Ltd. 25B Vyner Street, London E2 9DG | hello@tala.co.uk
Tala Europe B.V, Bertus Aafjeshove 40, Nieuwegein 3437JN, Netherlands