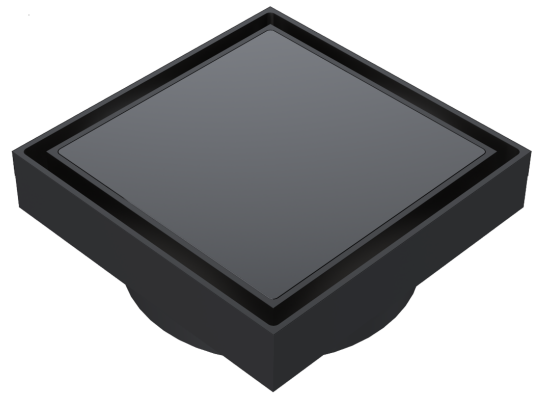


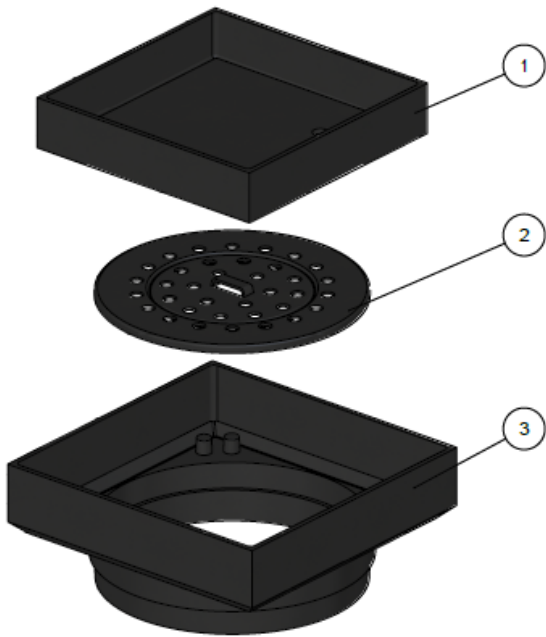
MP06N-T100

Square Floor Grate Shower Drain
with Tile Insert

meir®



EXPLODED VIEW



No.	Part Name	Qty
1	Tile Housing	1
2	Hair Catcher Plate	1
3	Waste Base	1

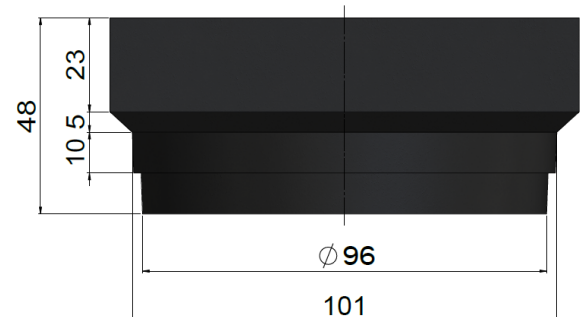
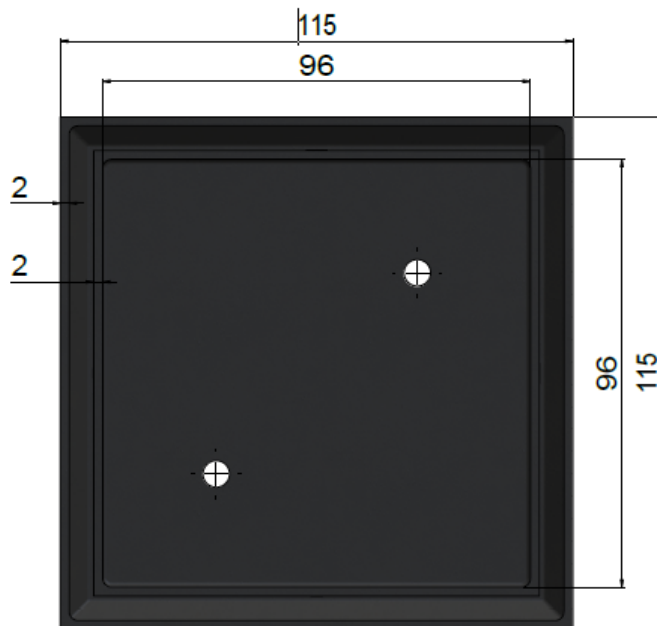
CARE

- Do not install tapware using any form of acetone silicones.
- Do not apply physical items (such as tools) directly to product.
- Never use house-hold or commercial detergents, citrus based cleaners, or abrasive cleaners.
- Clean using a mild washing soap solution rinsed, and dry with a soft cloth.
- Check for any product defects before installation.
- Refer to the installation manual for correct installation.

FEATURES

- Refer to the Meir website for warranty terms & conditions, and available finishes.
- Solid brass construction, PVD finishes.
- Including a hair catcher grid.
- WM 030063

SPECIFICATIONS



Tile size: 95 x 95 x 10mm (max)

Max tile thickness is 10mm