



SCALA1

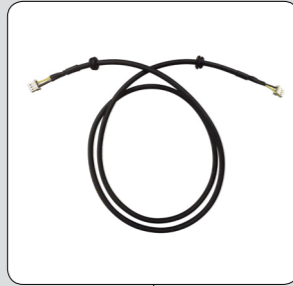
TWIN CONNECTION




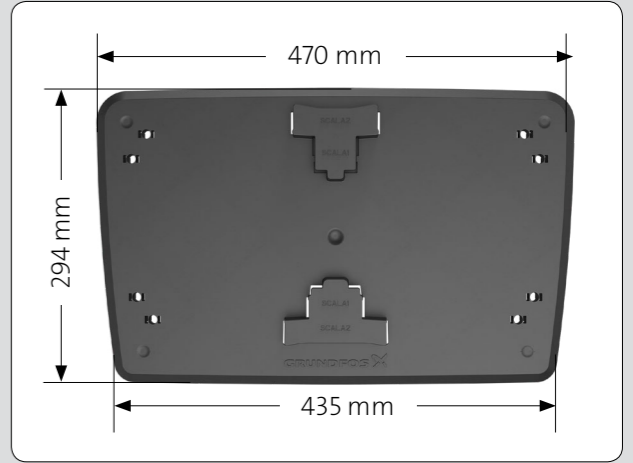
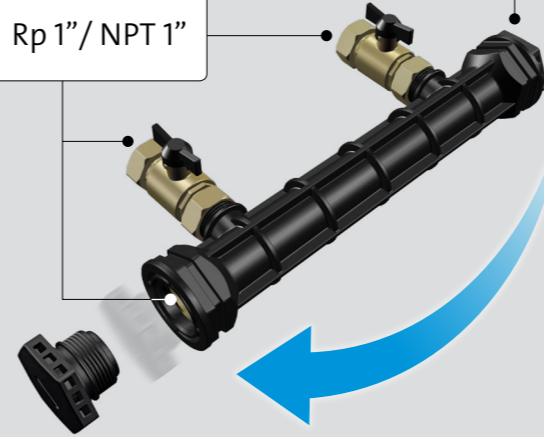
<http://qr.grundfos.com/i/99735528>

be
think
innovate

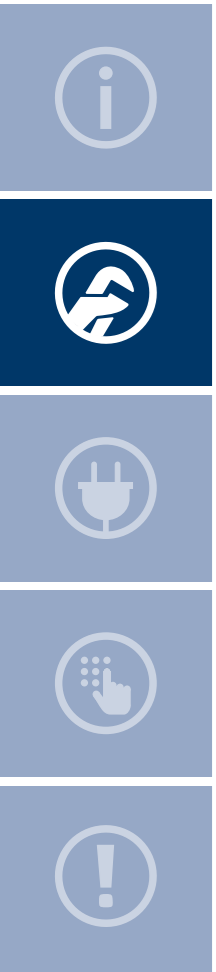
GRUNDFOS 



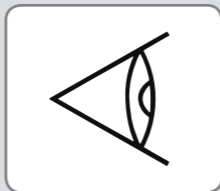
 Rp 1"/NPT 1"



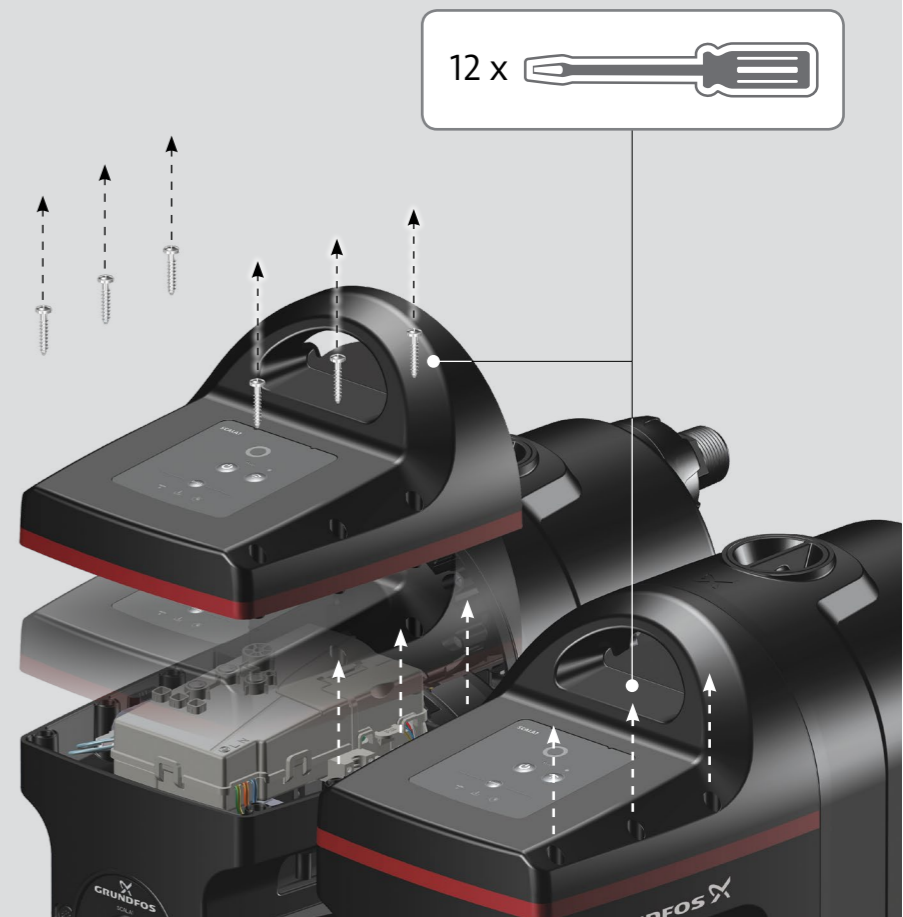
<http://qr.grundfos.com/i/99735528>

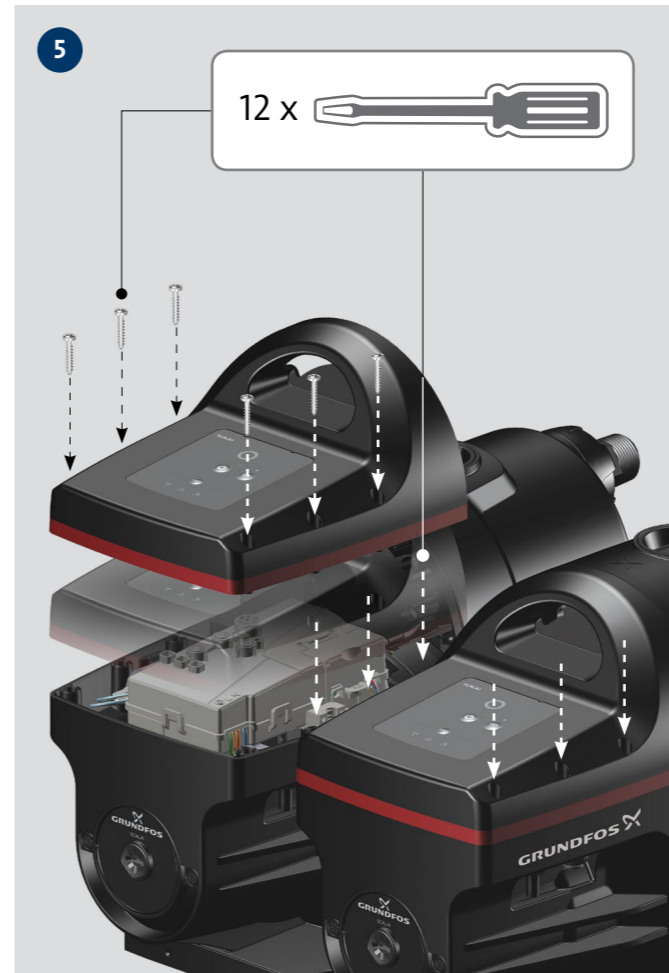
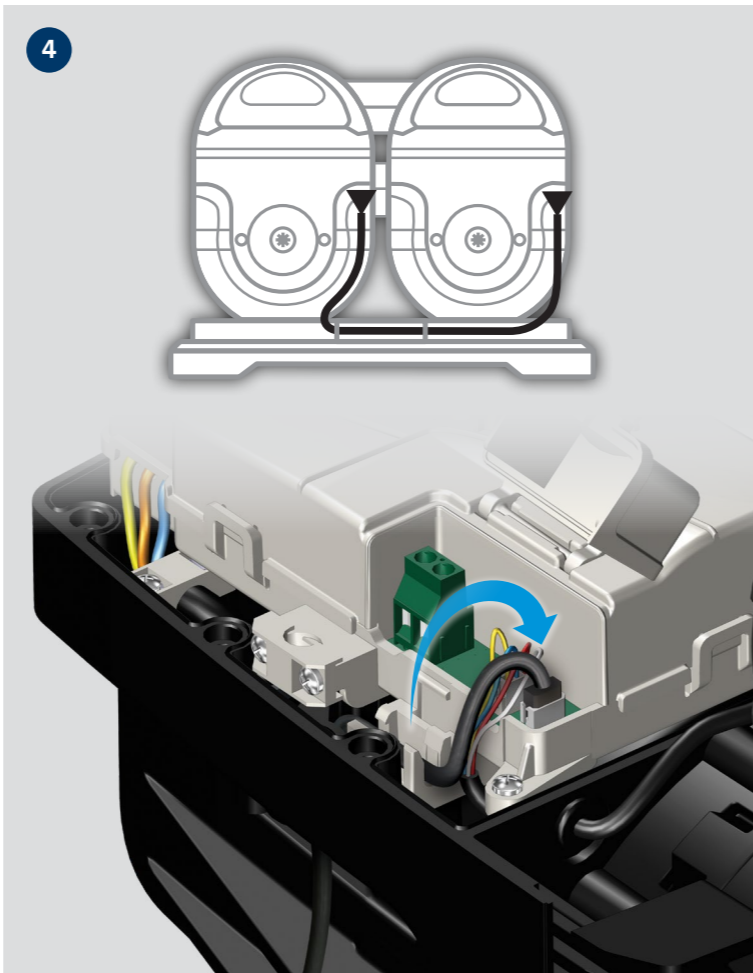
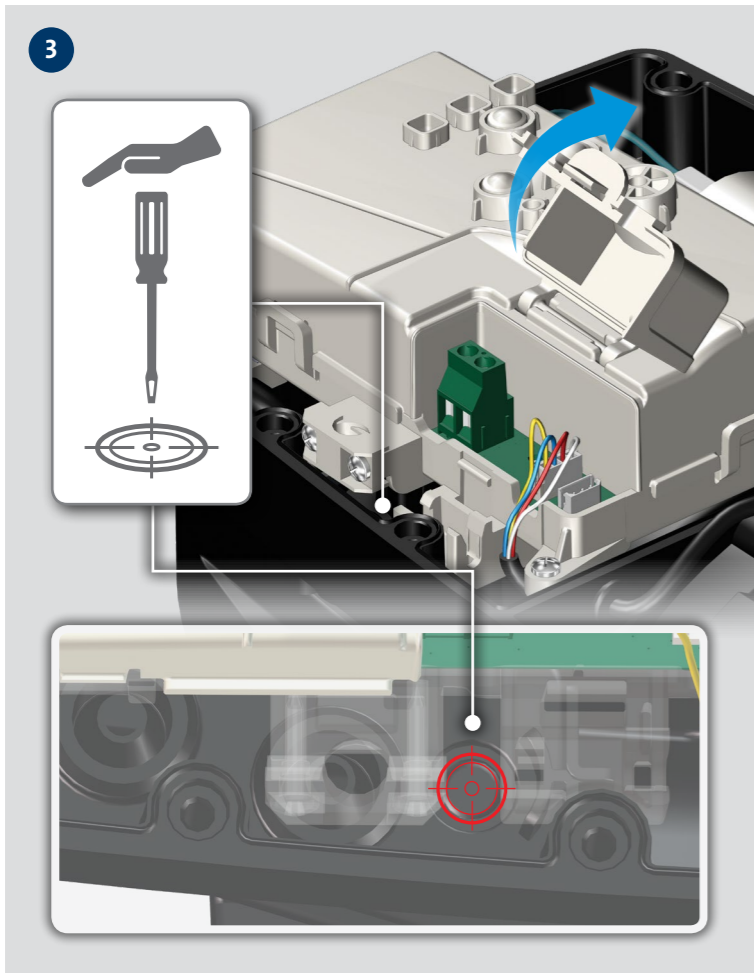
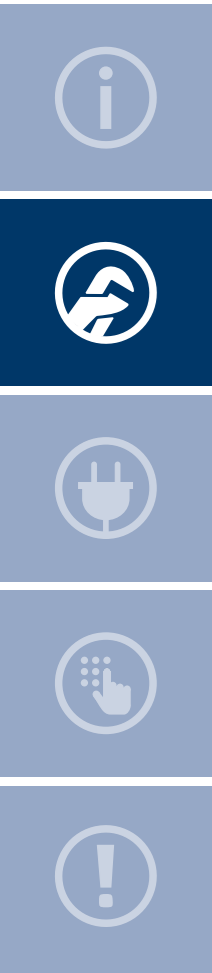


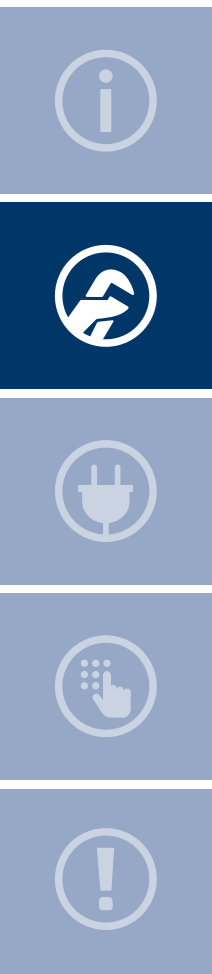
1



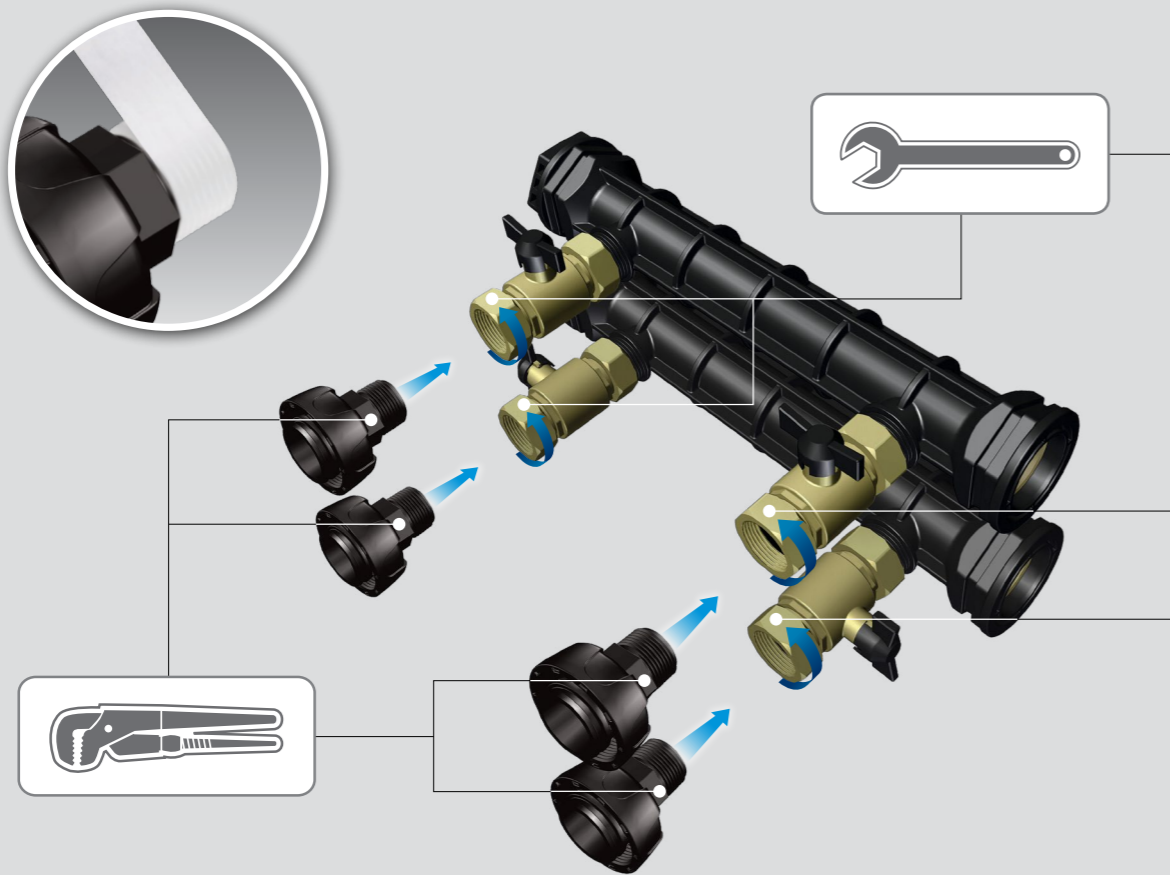
2



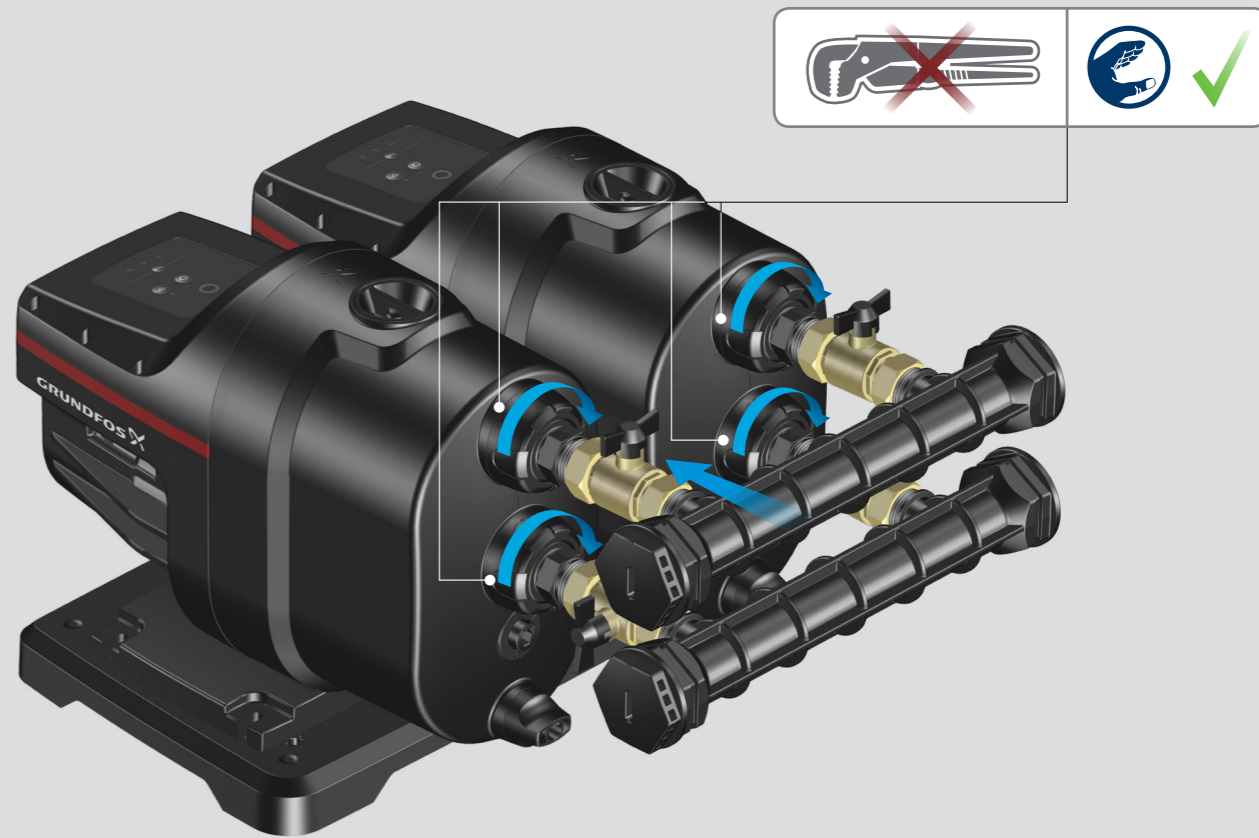


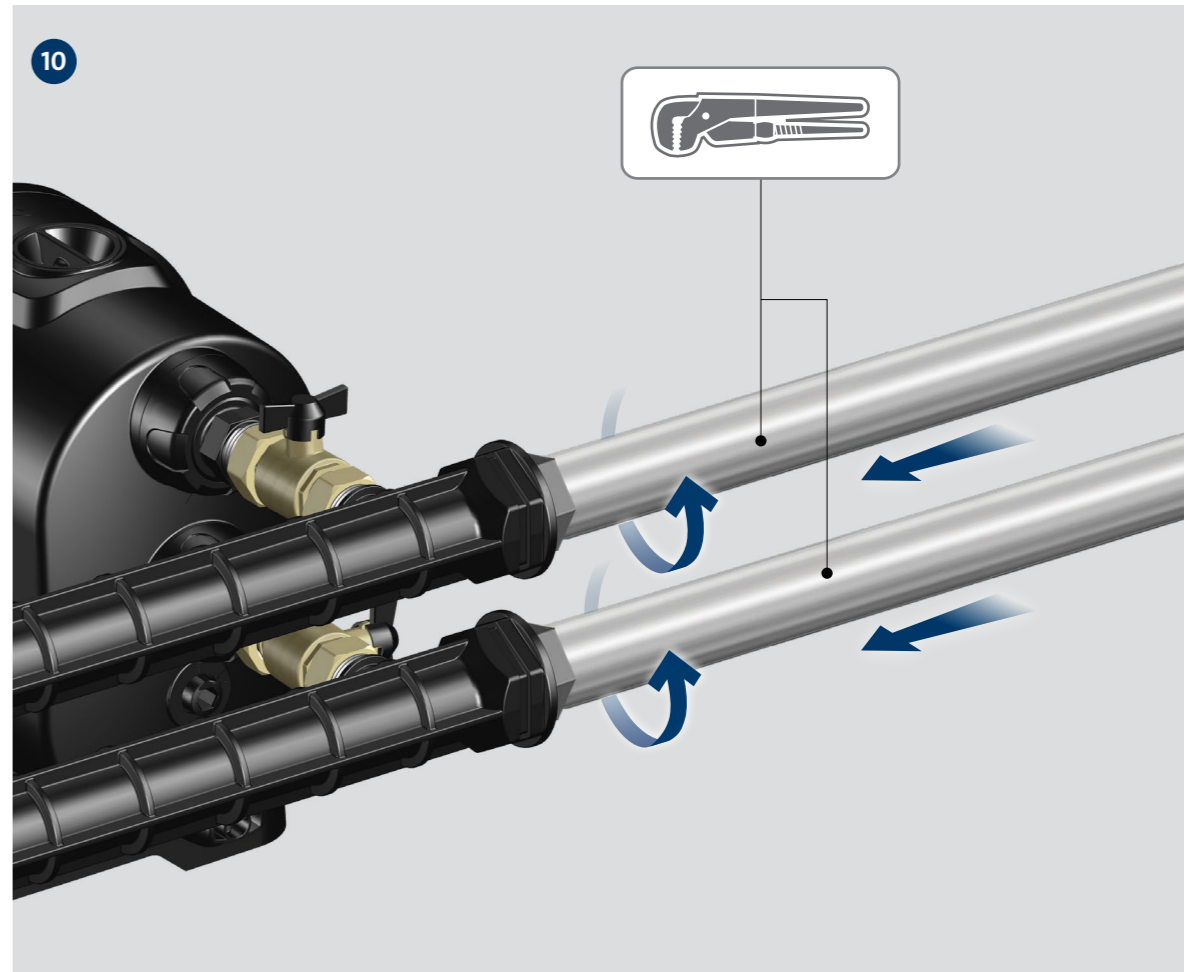
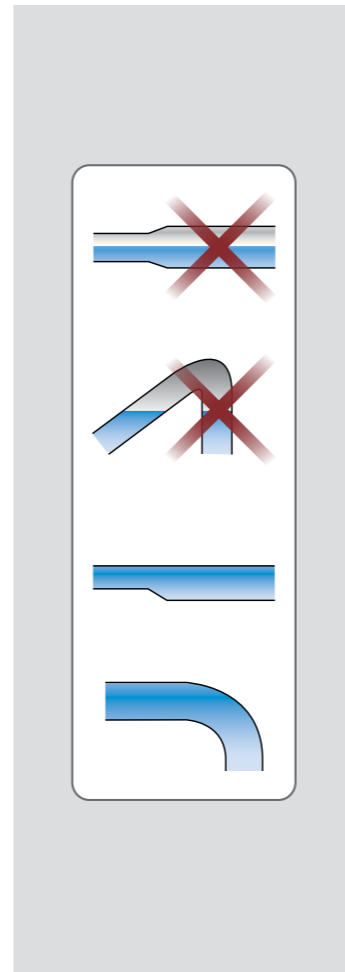
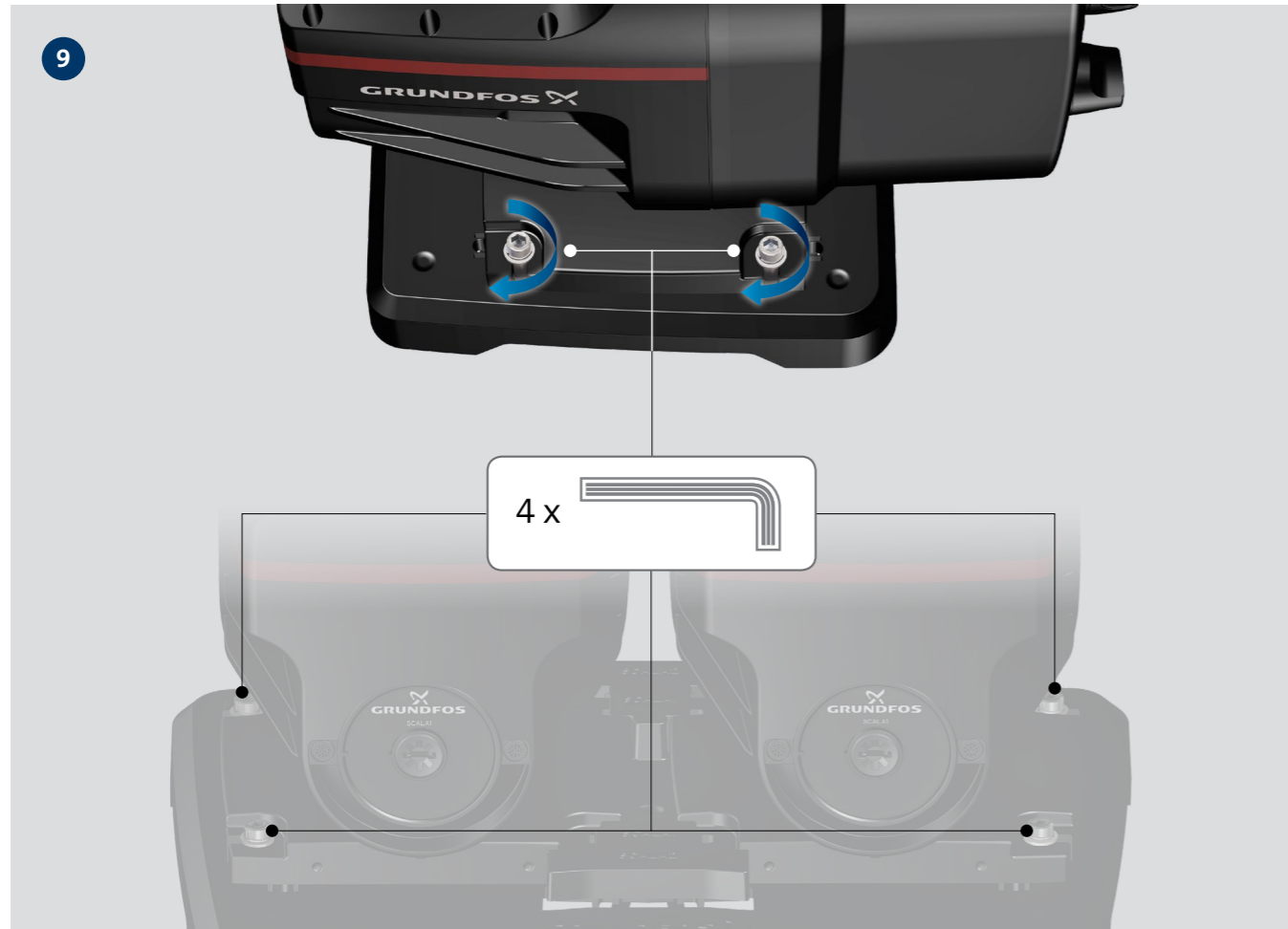
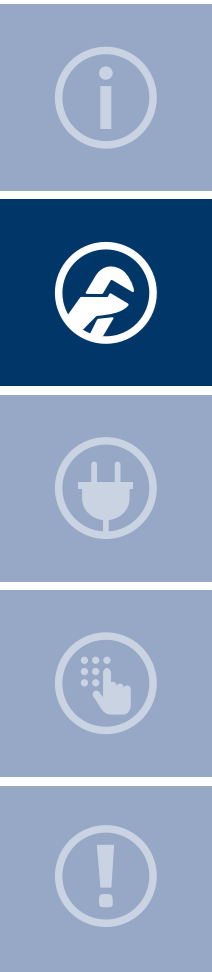


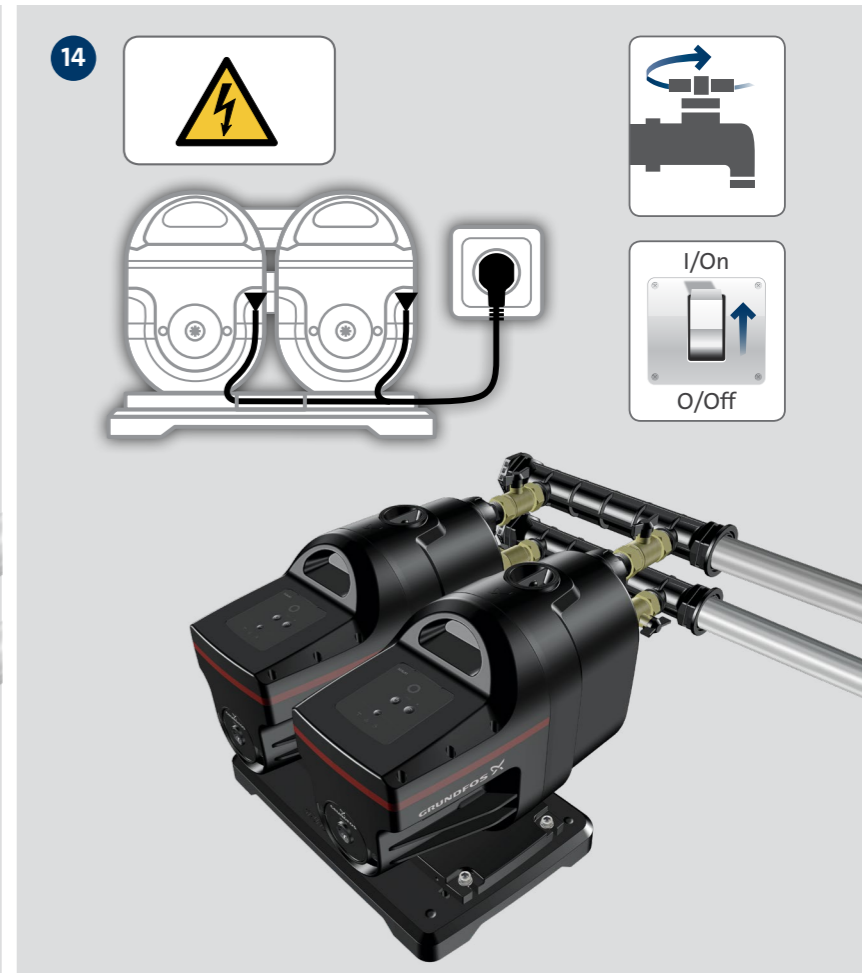
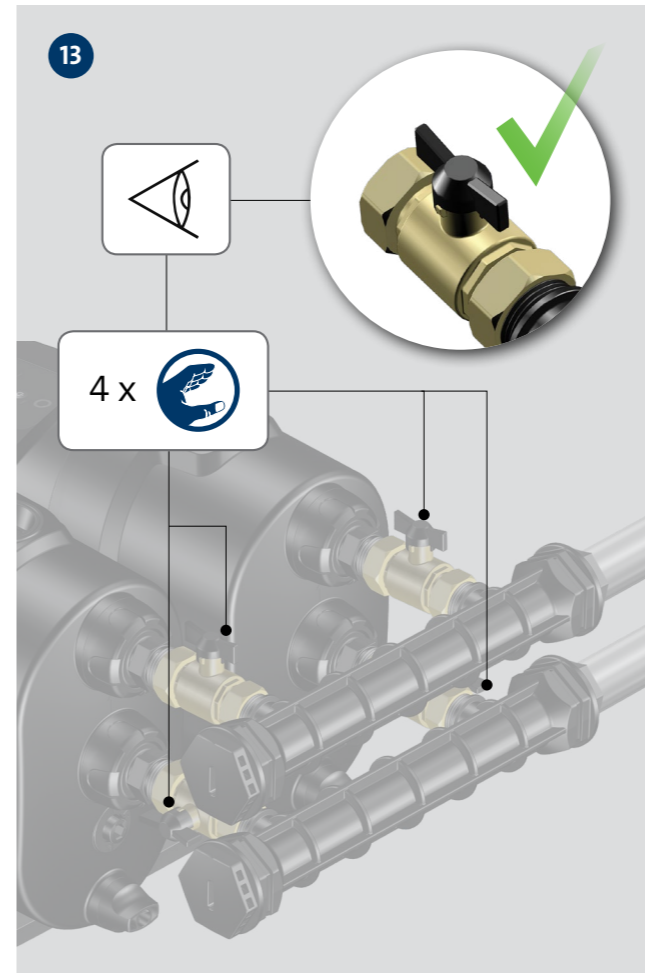
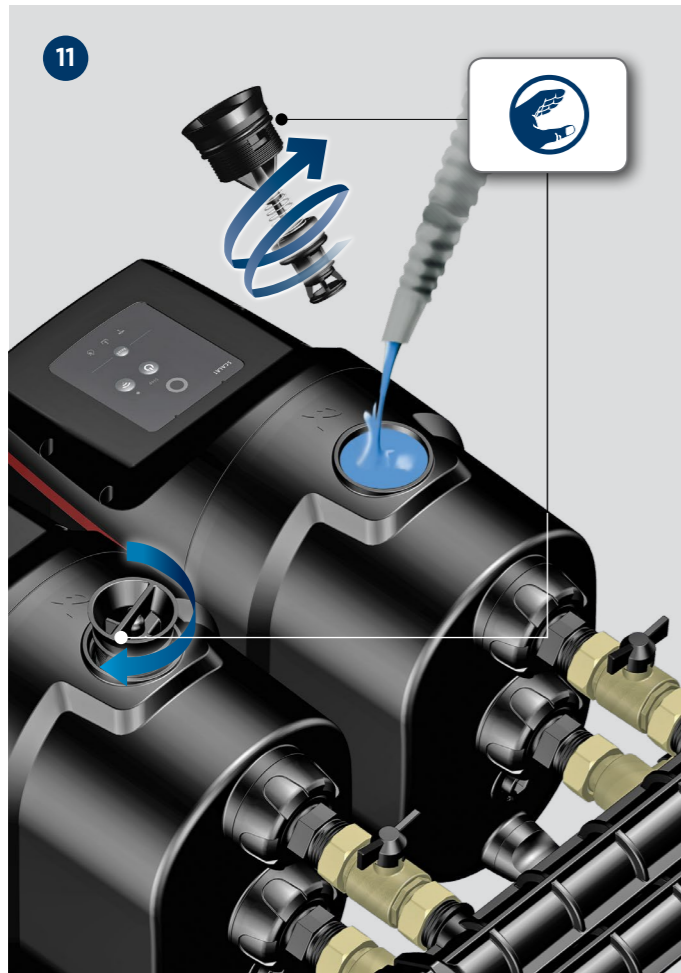
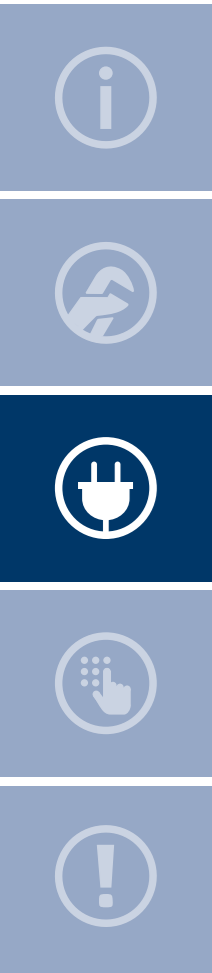
7

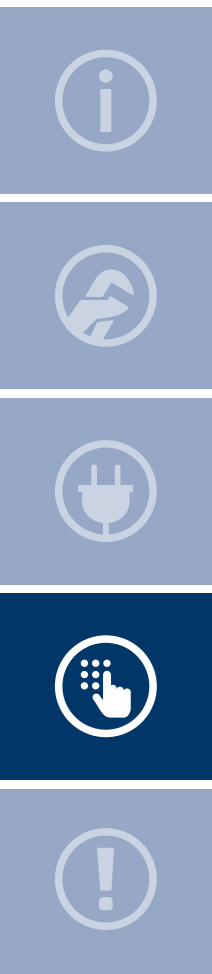


8

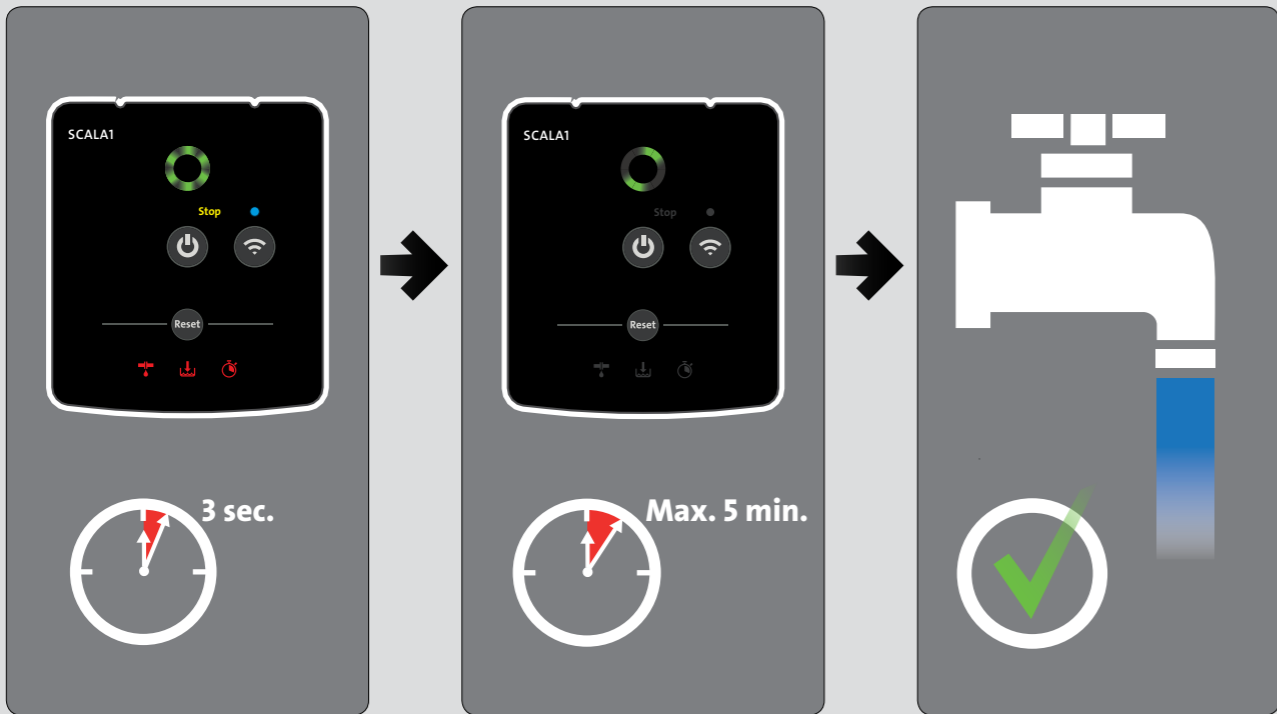


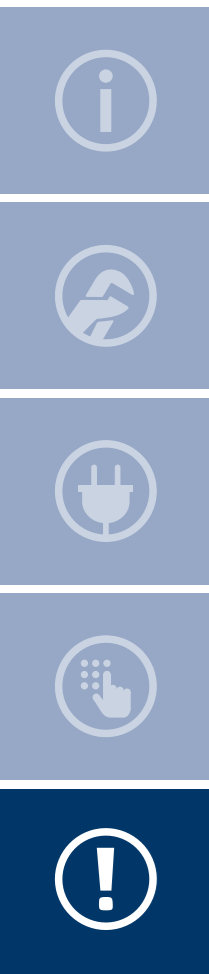






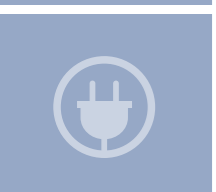
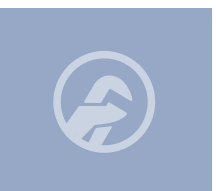
15





<http://qr.grundfos.com/i/99735528>





Eight horizontal dashed lines for writing on page 18.

Eight horizontal dashed lines for writing on page 19.

be think innovate

99743333 1119

ECM: 1273472

GRUNDFOS Holding A/S
Poul Due Jensens Vej 7
DK-8850 Bjerringbro
Tel: +45 87 50 14 00
www.grundfos.com

GRUNDFOS 

Trademarks displayed in this material, including but not limited to Grundfos, the Grundfos logo and "be think innovate" are registered trademarks owned by The Grundfos Group. All rights reserved.
© 2019 Grundfos Holding A/S, all rights reserved.