

# MAGNA3

VALID FROM MODEL E



4002198

Conforms to ANSI/UL Std. 778  
Certied to CAN/CSA Standard C22.2 No. 108



[net.grundfos.com/qr/i/99332342](http://net.grundfos.com/qr/i/99332342)

be  
think  
innovate

**GRUNDFOS** 



Max. 95 % RH  
Enclosure Type 2



Min./Max. +14°F – 230°F  
(-10°C – 110°C)



PN 12: 175 psi/1.2 MPa



Min./Max.  
+32°F – +104°F (0°C – 40°C)



< 39 dB(A)



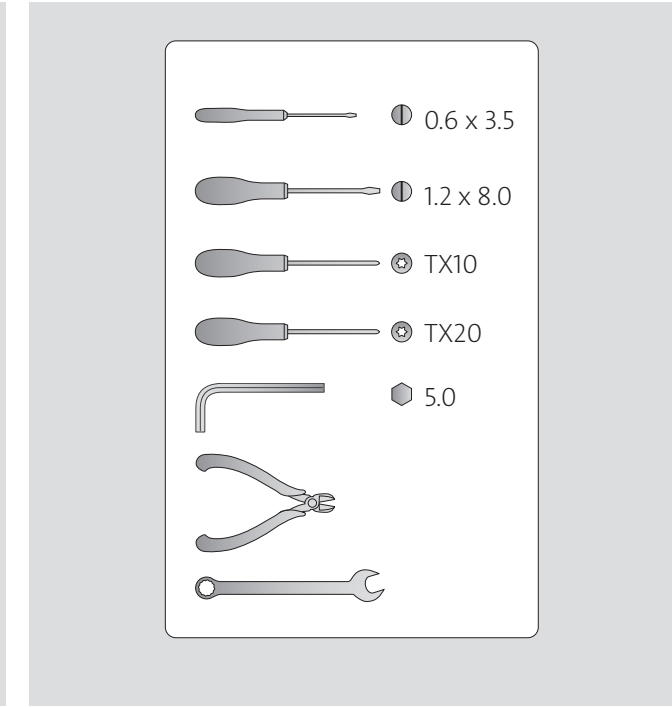
**CAUTION:** Electrical cord should hang free and must not touch parts that are above 167°F (75°C).

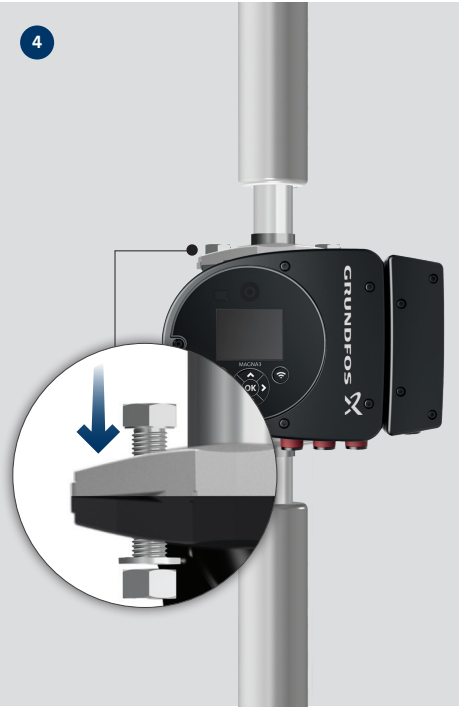
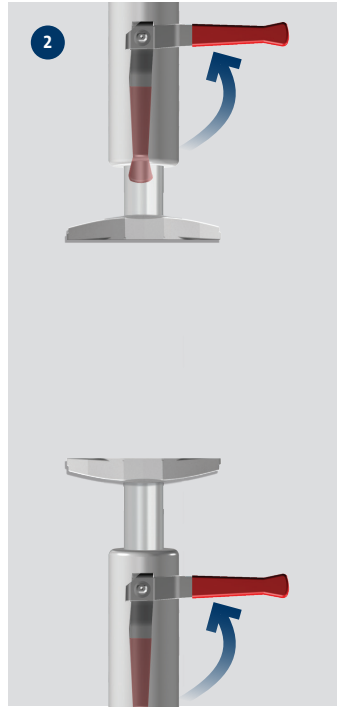


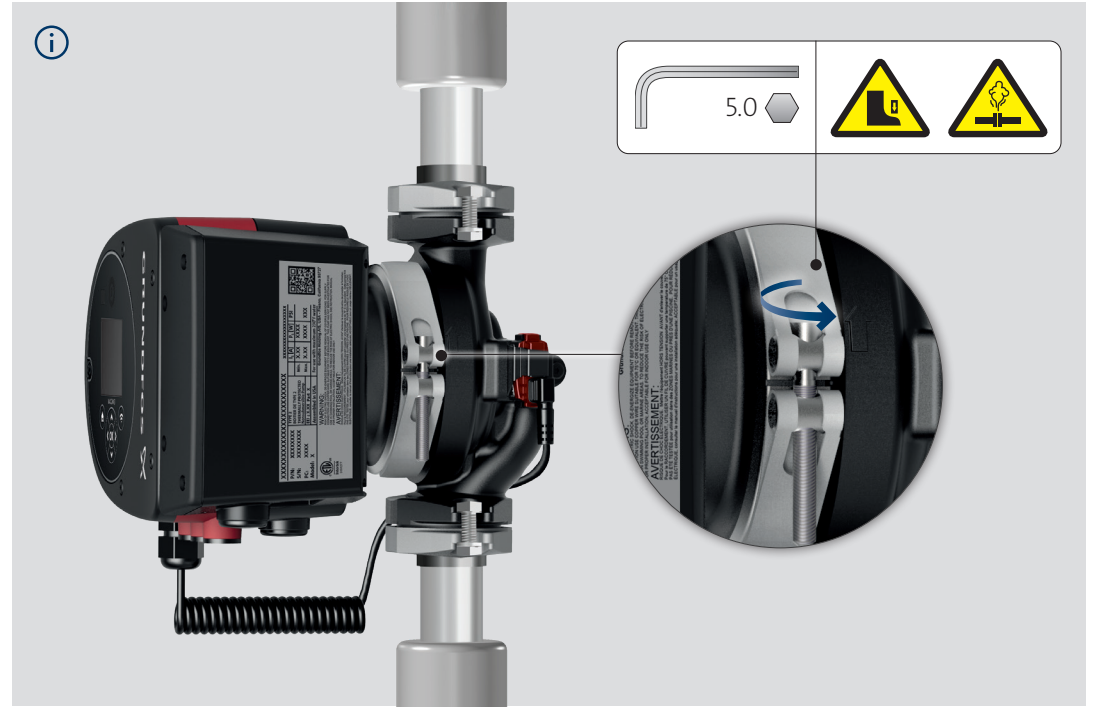
**MISE EN GARDE:** Le cordon électrique doit être libre de support et ne doit pas toucher les pièces qui sont au-dessus de 167 ° F (75 ° C).

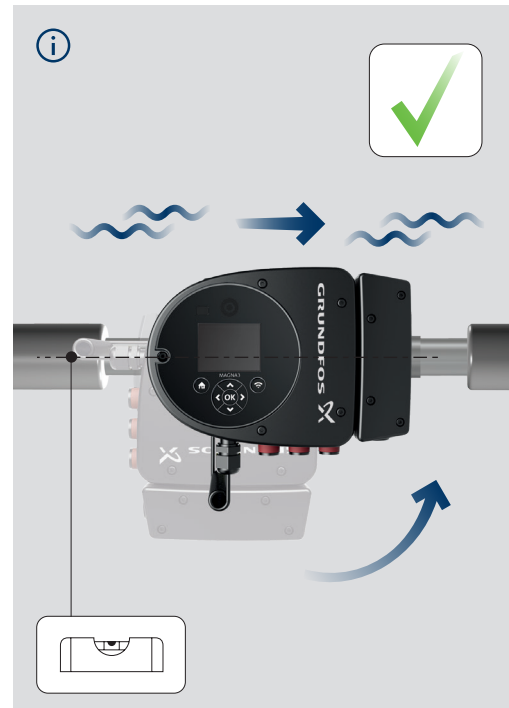
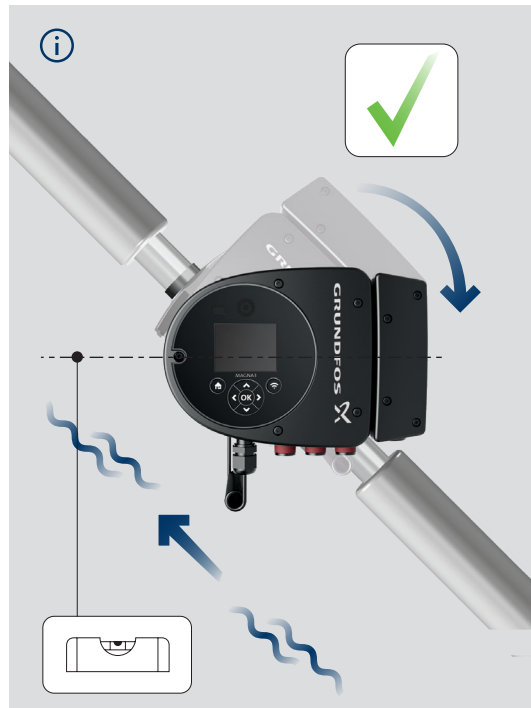
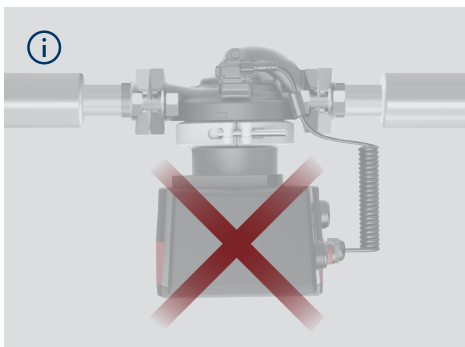
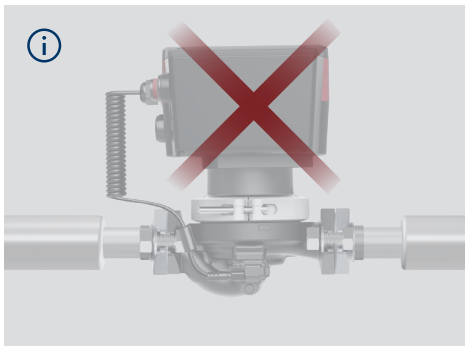
**PRECAUCIÓN:** El cable eléctrico debe colgar libremente y no debe tocar partes que estén por encima de los 167 ° F (75 ° C).

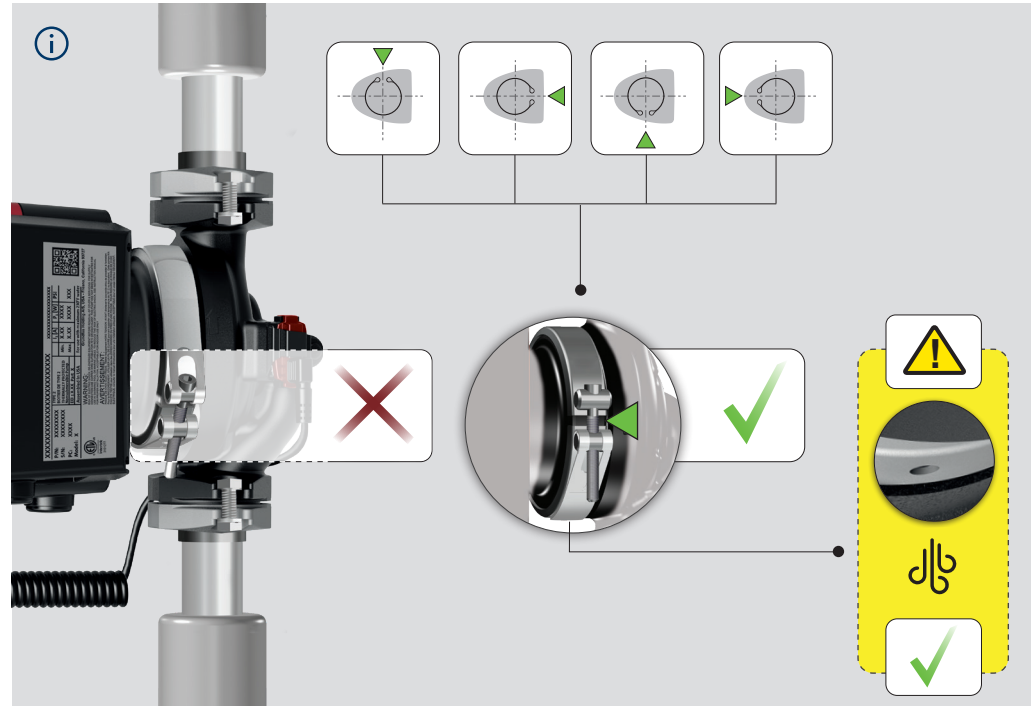
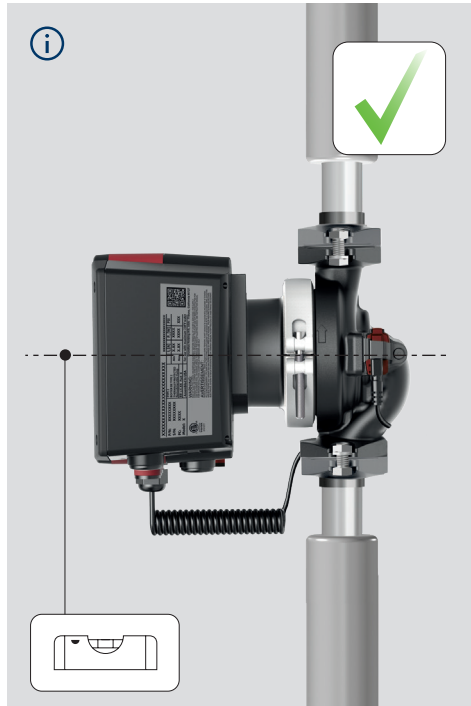
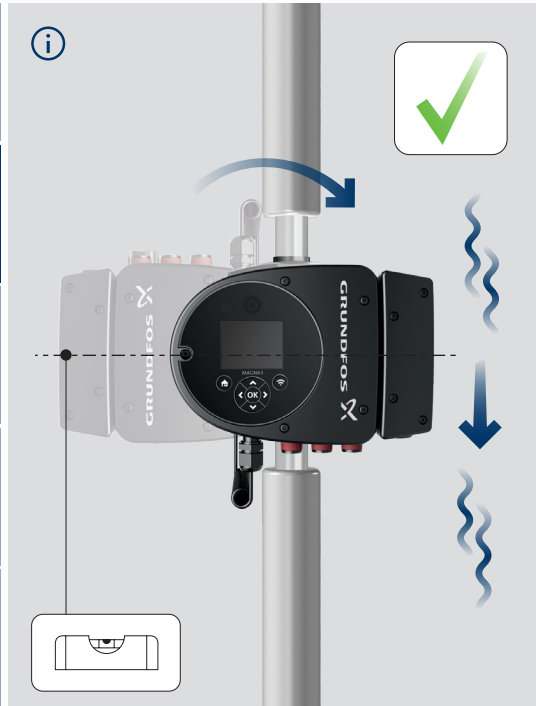














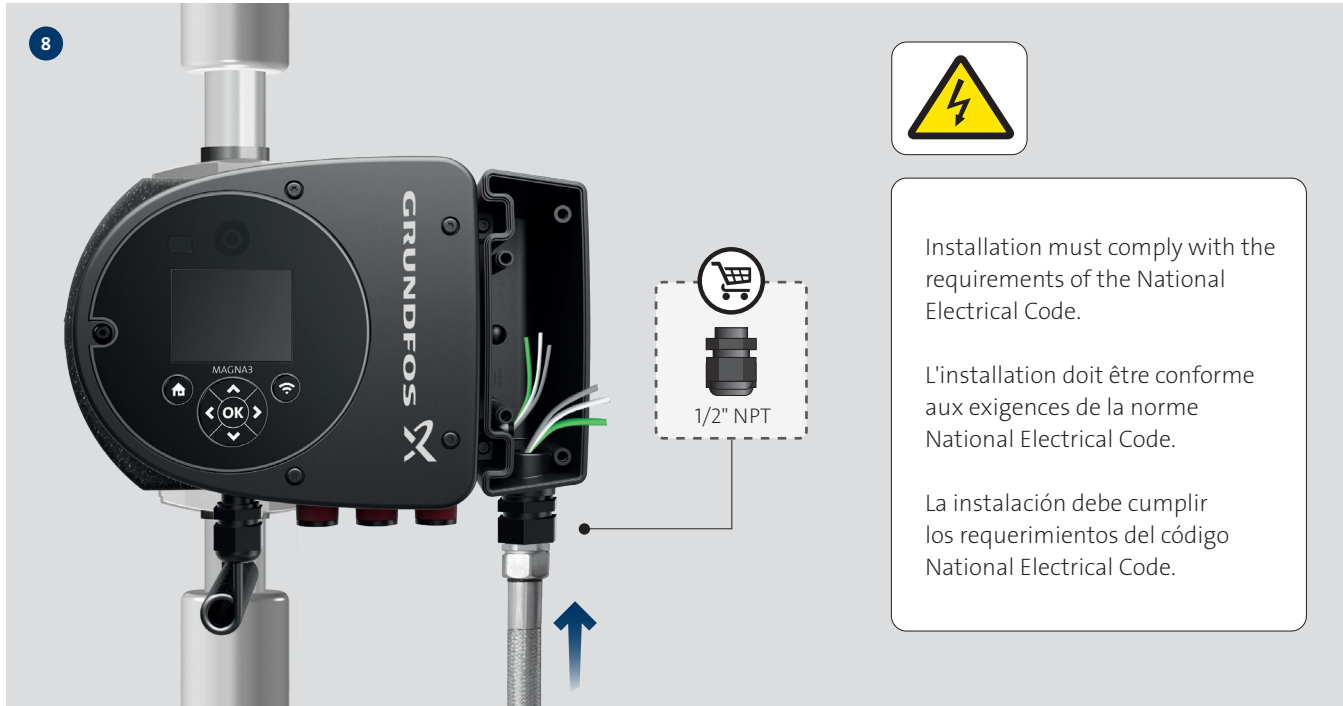




7



8



Installation must comply with the requirements of the National Electrical Code.

L'installation doit être conforme aux exigences de la norme National Electrical Code.

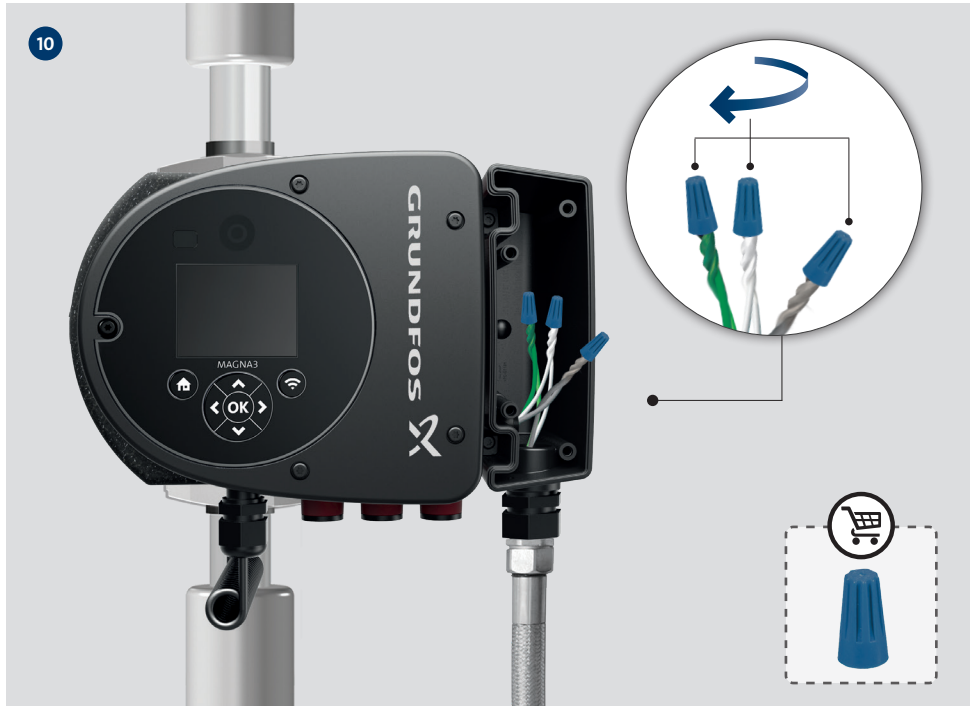
La instalación debe cumplir los requerimientos del código National Electrical Code.



9



10

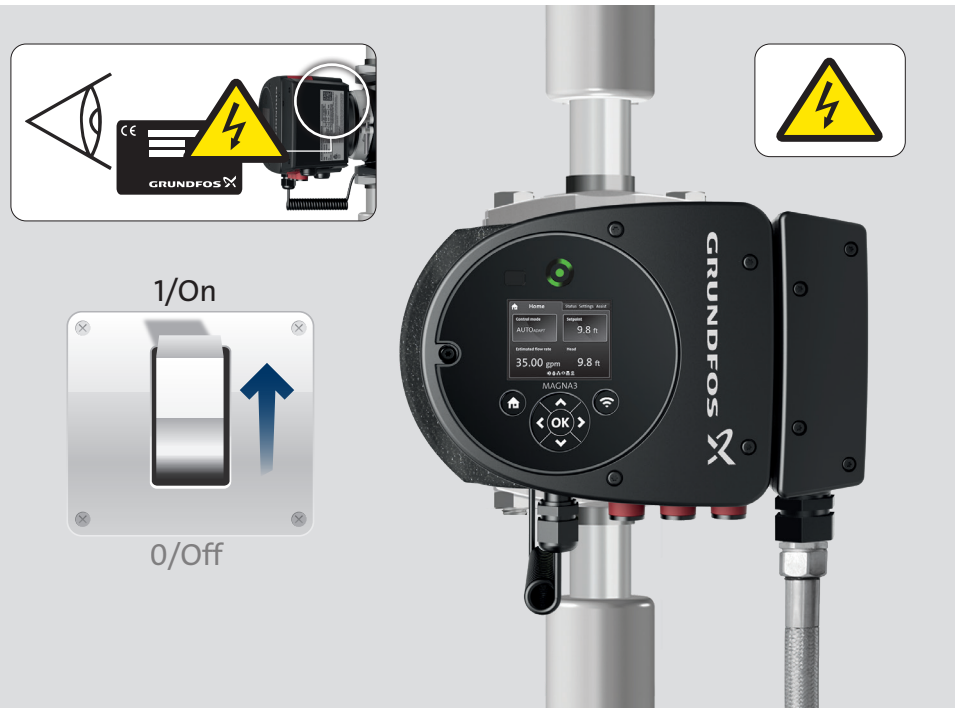




11



12





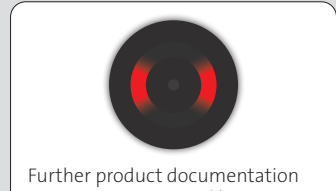
13



**Power cycle:** Max. 4 starts per 60 minutes  
**Cycle de puissance:** Max. 4 démarrages par 60 minutes  
**Ciclo de energía:** Max. 4 arranques por 60 minutos



14



Further product documentation  
Documentation supplémentaire  
Información adicional de producto



[net.grundfos.com/qr/i/99332342](https://net.grundfos.com/qr/i/99332342)





15

Download on the App Store

GET IT ON Google Play

Grundfos GO Remote

GO Remote

16

INSTALL  
installer  
instalar

GO Remote

17

Bluetooth = ON  
Bluetooth = Marche  
Bluetooth = Encendido

GO Remote

OPEN  
Ouvrir  
Abra

18

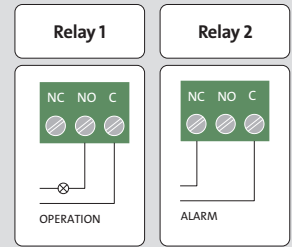
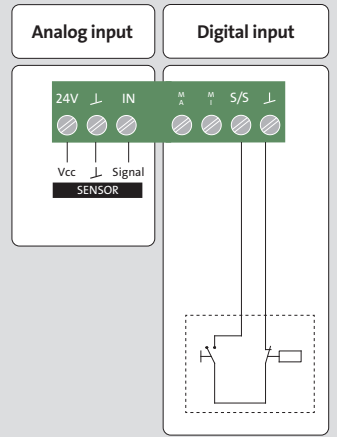
CONNECT  
Connecter  
Conecte

Bluetooth

List

Connect

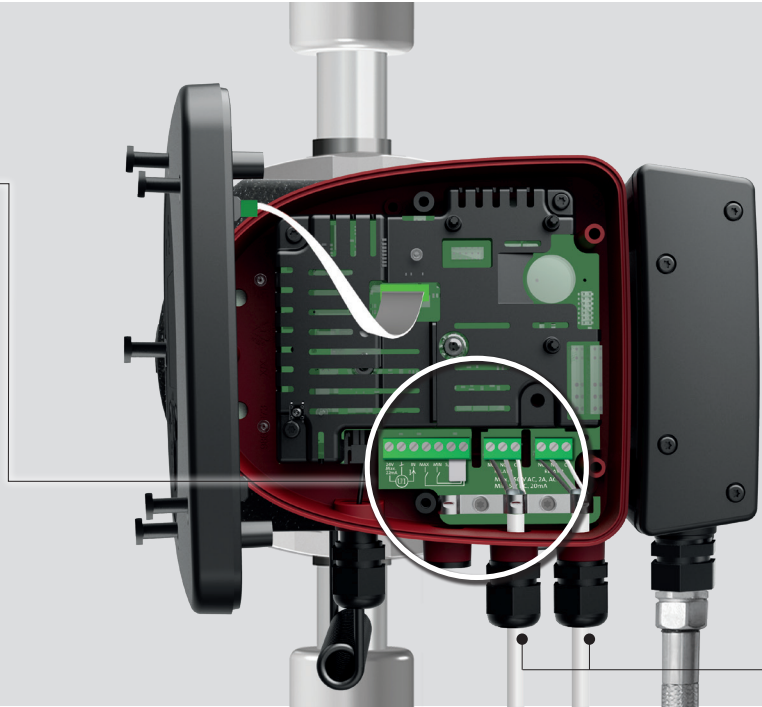




Use C and NC for fault signals as this enables serial connections of more relays and detection of signal cable defects.

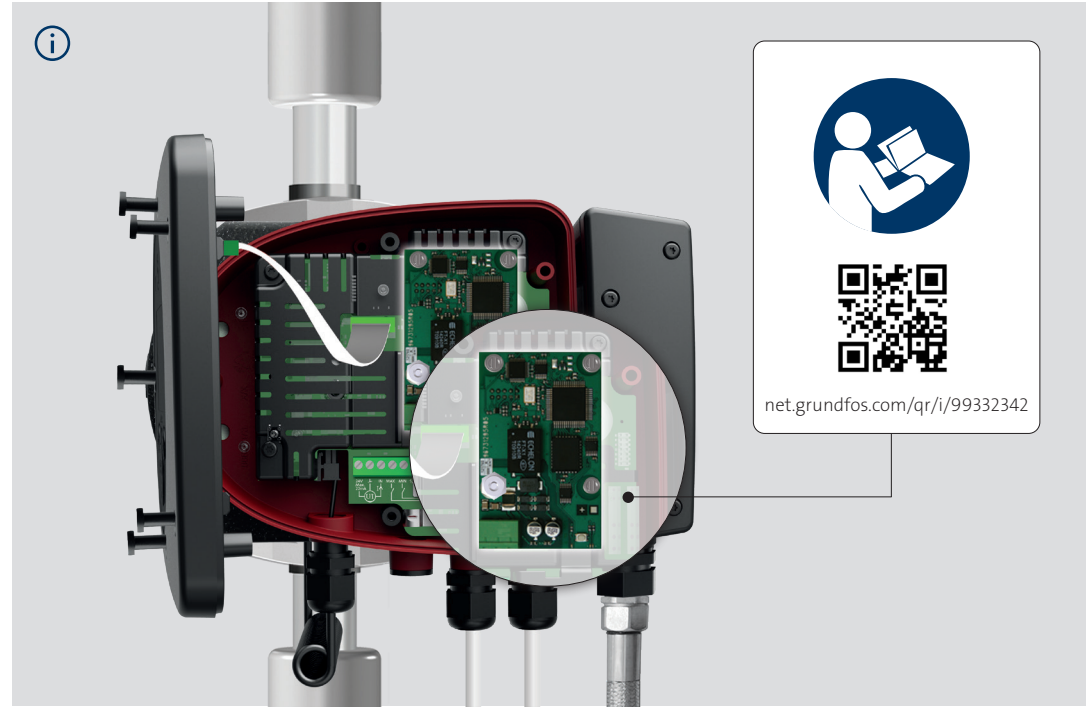
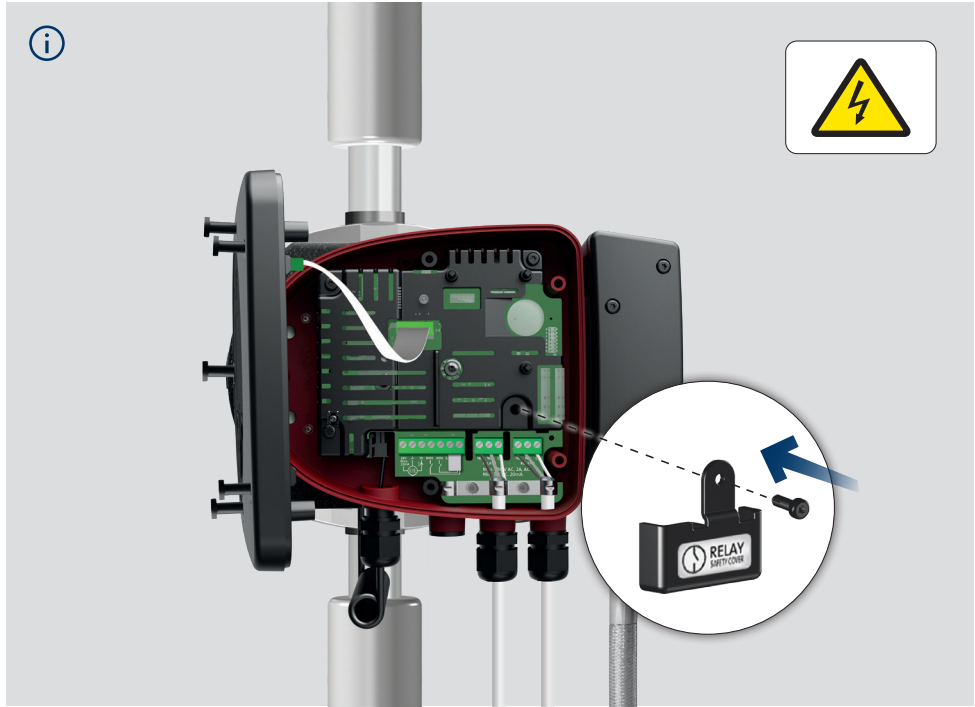
Utiliser C et NC pour les signaux de défaut, car cela active les connexions en série de plusieurs relais et la détection des défauts des câbles de signaux.

Use las salidas C y NC para las señales de falla; esto permitirá conectar en serie más relevadores y detectar posibles problemas del cable de señal.

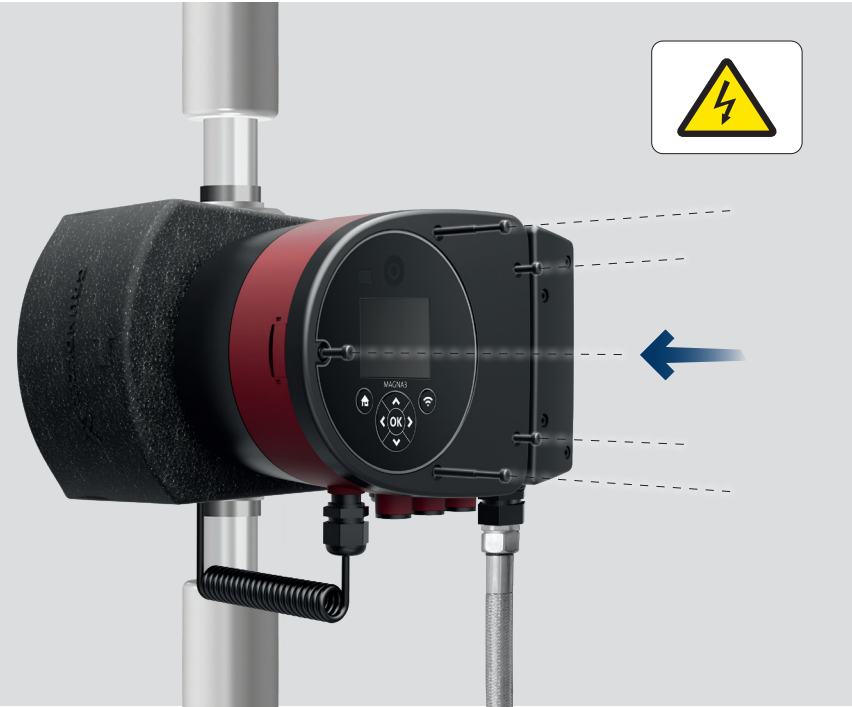


[net.grundfos.com/qr/i/99332342](http://net.grundfos.com/qr/i/99332342)









---

---

---

---

---

---

---

---

---

---



---

---

---

---

---

---

---

---

---

---

---

---

---

---

---

---

---

---

---

---

Installation date: \_\_\_\_\_

Installer: \_\_\_\_\_  
\_\_\_\_\_  
\_\_\_\_\_  
\_\_\_\_\_

**GRUNDFOS Kansas City**

17100 West 118th Terrace  
Olathe, Kansas 66061  
Phone: (913) 227-3400  
Fax: (913) 227-3500  
www.grundfos.us

**GRUNDFOS Canada**

2941 Brighton Road  
Oakville, Ontario L6H 6C9  
Canada  
Phone: +1-905 829 9533  
Fax: +1-905 829 9512  
www.grundfos.ca

**GRUNDFOS Mexico**

Boulevard TLC No. 15  
Parque Industrial Stiva  
Aeropuerto  
C.P. 66600 Apodaca, N.L.  
Mexico  
Phone: 011-52-81-8144 4000  
Fax: 011-52-81-8144 4010  
www.grundfos.mx

**92598546** 06.2021

ECM: 1316145