

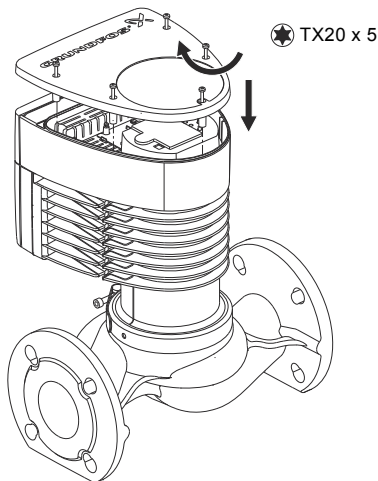
MAGNA1, MAGNA3

Terminal-connected versions / Front cover

Service kit instructions



Size	Type	Torque [Nm]
M4	TX20	1.2



be think innovate

98278124 0714

ECM: 1138097

The name Grundfos, the Grundfos logo, and **be think innovate** are registered trademarks owned by Grundfos Holding A/S or Grundfos A/S, Denmark. All rights reserved worldwide.

© Copyright Grundfos Holding A/S

www.grundfos.com

GRUNDFOS 