

MAGNA1, MAGNA3

Terminal-connected versions / Control box

Service kit instructions



English (US) Service kit instructions

CONTENTS

| | Page |
|------------------|-------------|
| 1. MAGNA1 | 3 |
| 1.1 Dismantling | 3 |
| 1.2 Assembly | 5 |
| 2. MAGNA3 | 10 |
| 2.1 Dismantling | 10 |
| 2.2 Assembly | 14 |

English (US)



Warning

Before starting service work, read the safety instructions supplied with the product.

Español (ESMX)



Advertencia

Antes de comenzar el trabajo, lea las instrucciones de seguridad suministradas con el producto.

Français (FRCA)



Avertissement

Avant toute intervention, consulter les consignes de maintenance fournies avec le produit.

1. MAGNA1

1.1 Dismantling

ESMX: Desmontaje

FRCA: Démontage

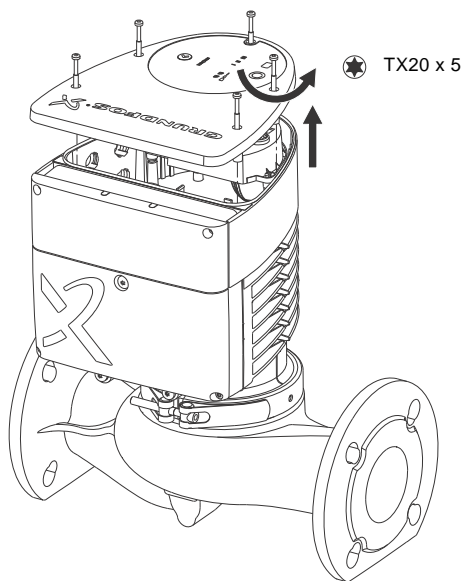


Fig. 1

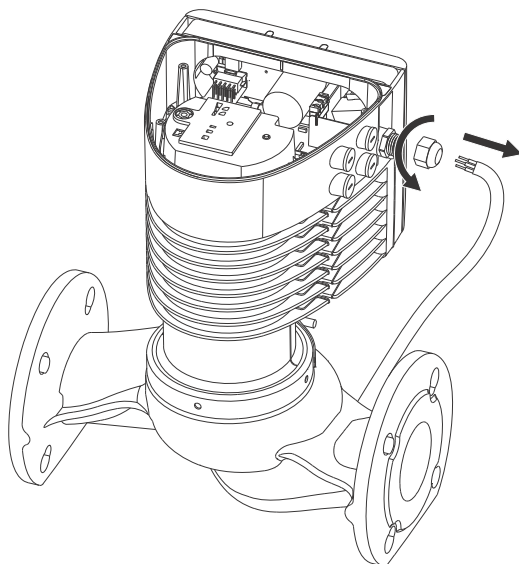


Fig. 2

TM05 6555 5012

TM05 6562 5012

⚙️ TX30 x 3

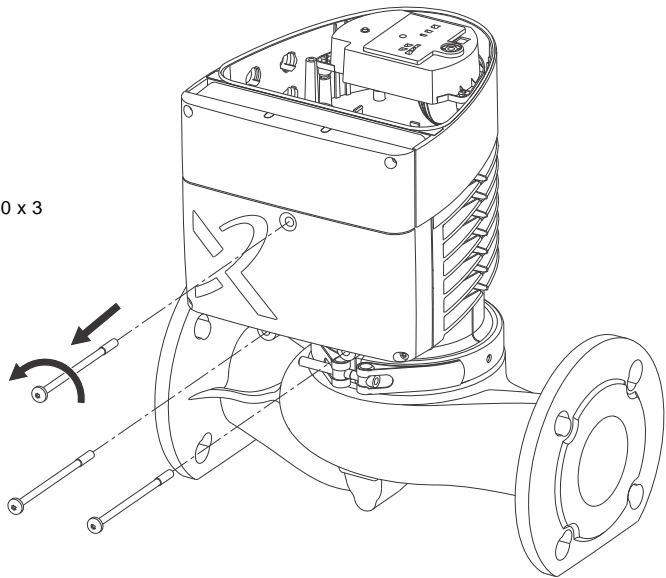


Fig. 3

TM05 6556 5012

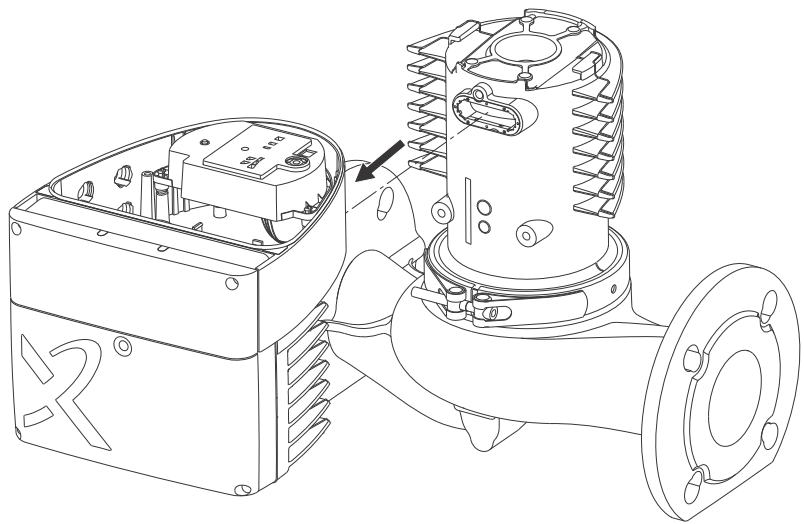


Fig. 4

TM05 6557 5012

1.2 Assembly

ESMX: Montage

FRCA: Montage

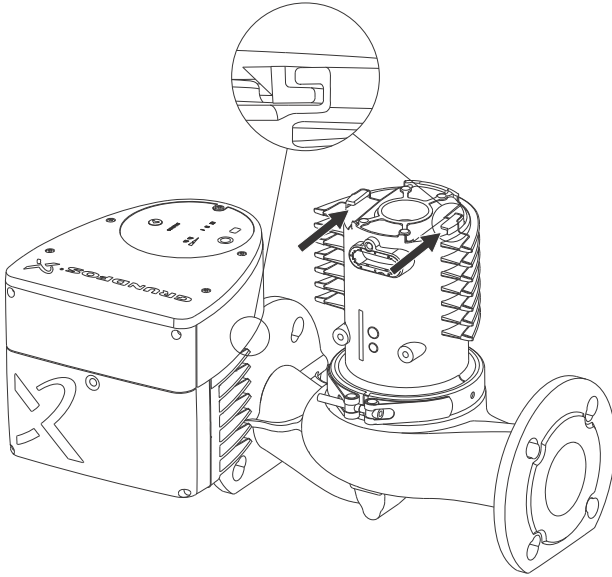


Fig. 1

| Size | Torque [ft-lb (Nm)] |
|------|------------------------|
| M6 | 5.9 (8.0) |

⊛ TX30 x 1

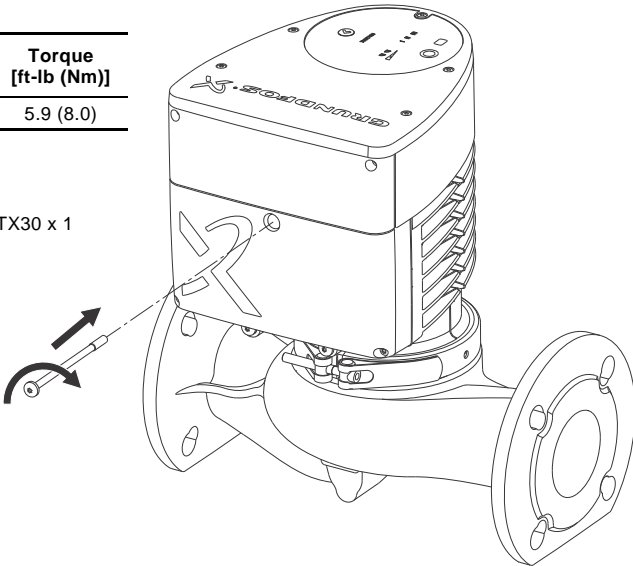


Fig. 2

| Size | Torque [ft-lb (Nm)] |
|------|------------------------|
| M6 | 5.9 (8.0) |

✳ TX30 x 2

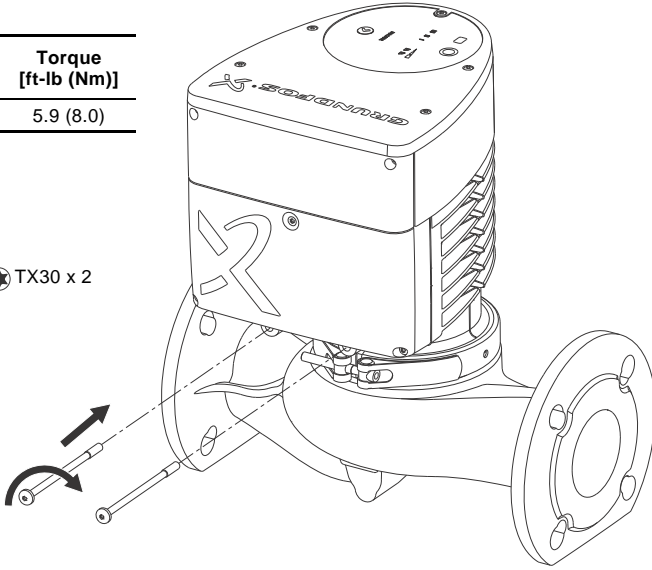


Fig. 3

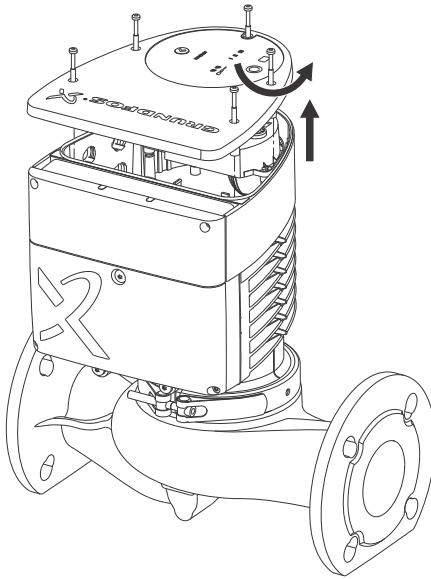


Fig. 4

TM05 6560 5012

TM05 6555 5012

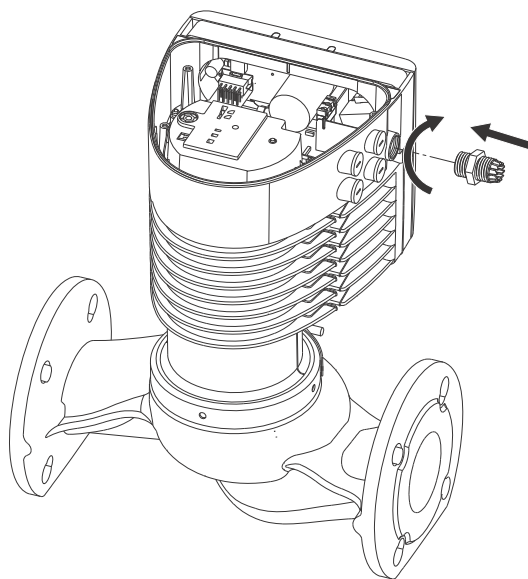


Fig. 5

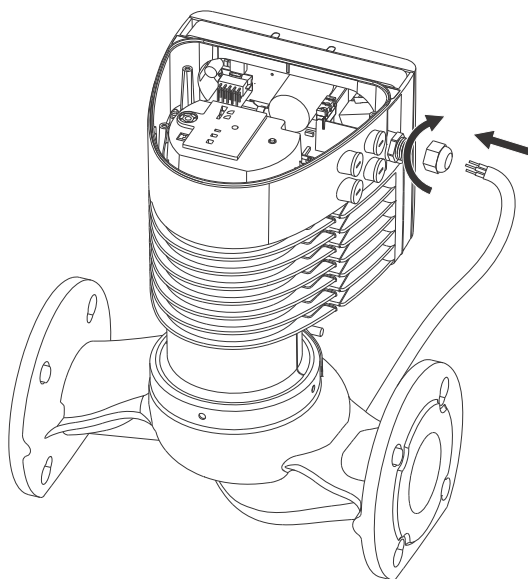


Fig. 6

| Size | Torque [ft-lb (Nm)] |
|------|------------------------|
| M4 | 0.89 (1.2) |

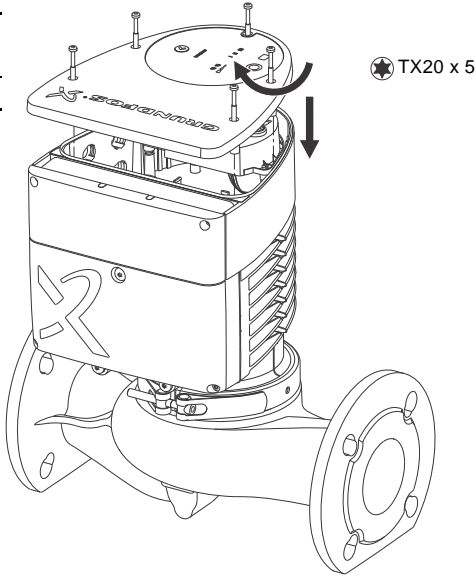


Fig. 7

TM05 6554 5012

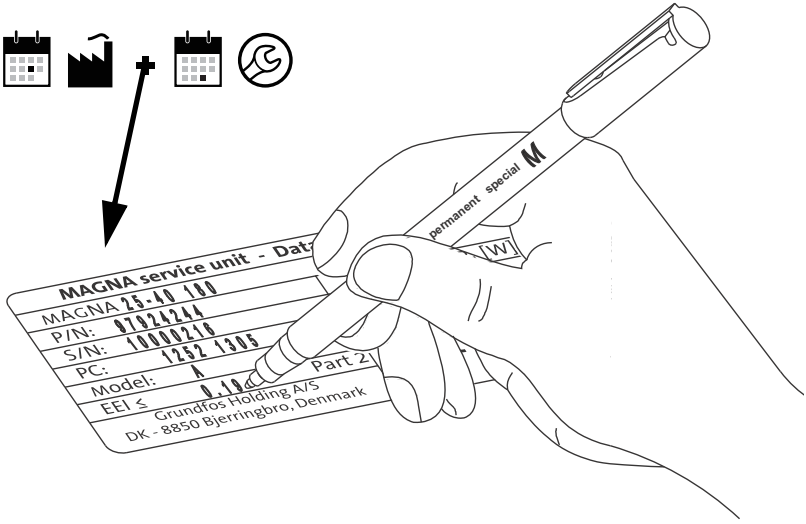


Fig. 8

TM05 8767 2613 - TM05 8265 2213

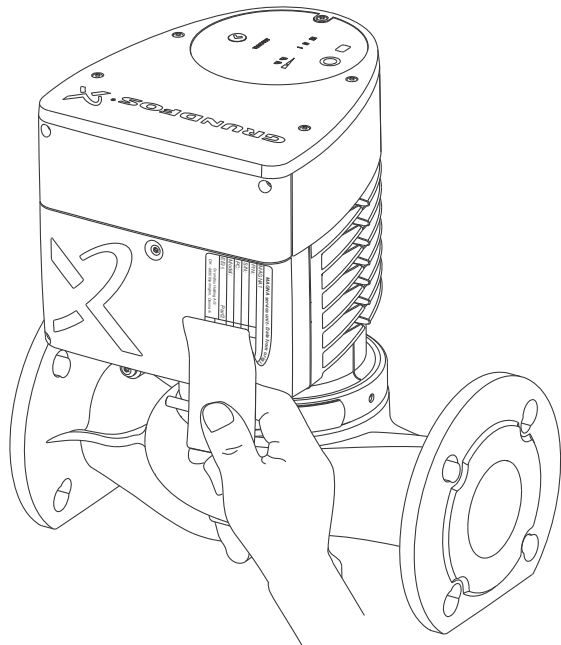


Fig. 9

2. MAGNA3

2.1 Dismantling

ESMX: Desmontaje

FRCA: Démontage

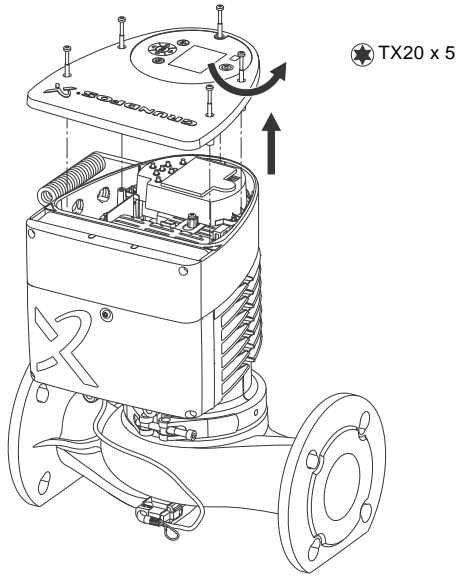


Fig. 1

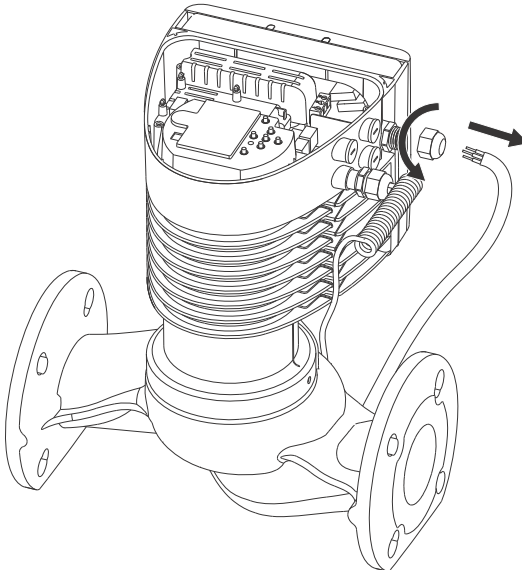


Fig. 2

TM05 4682 3112

TM05 4707 3112

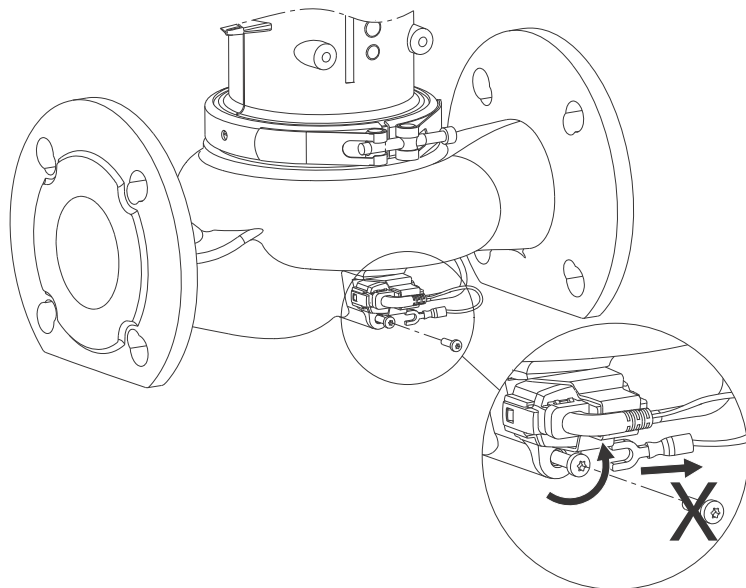


Fig. 3

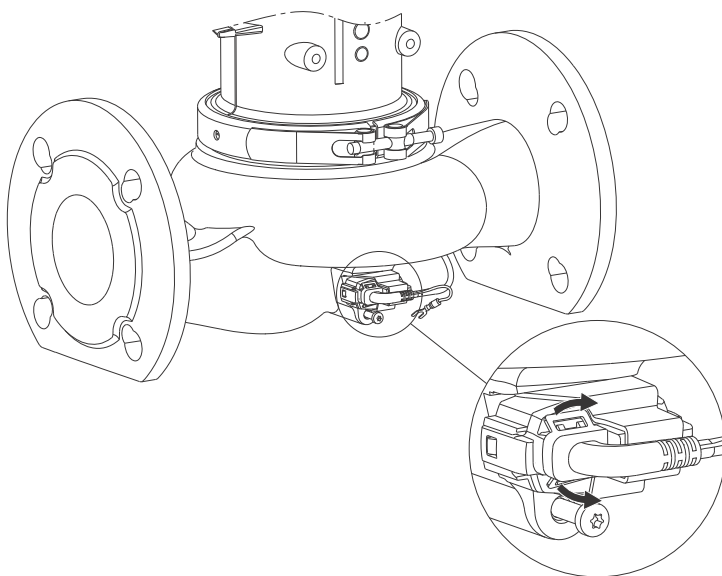


Fig. 4

TM05 5153 2512

TM05 5154 2512

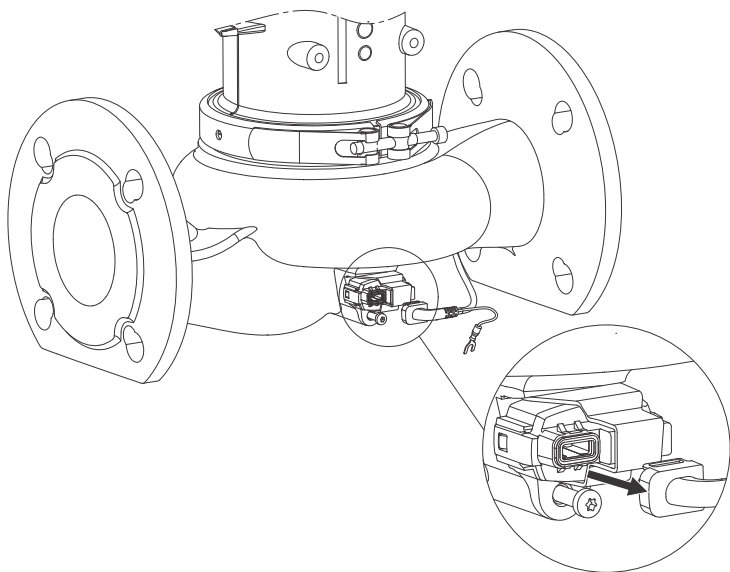


Fig. 5

TM05 5155 2512

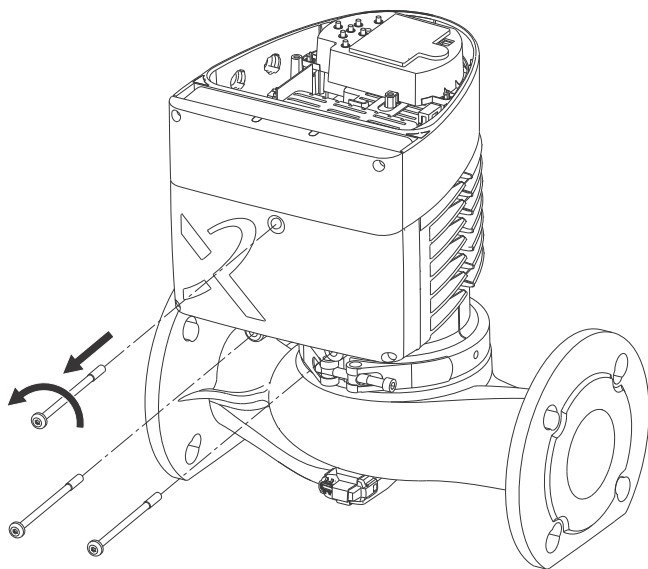


Fig. 6

TM06 6457 1416

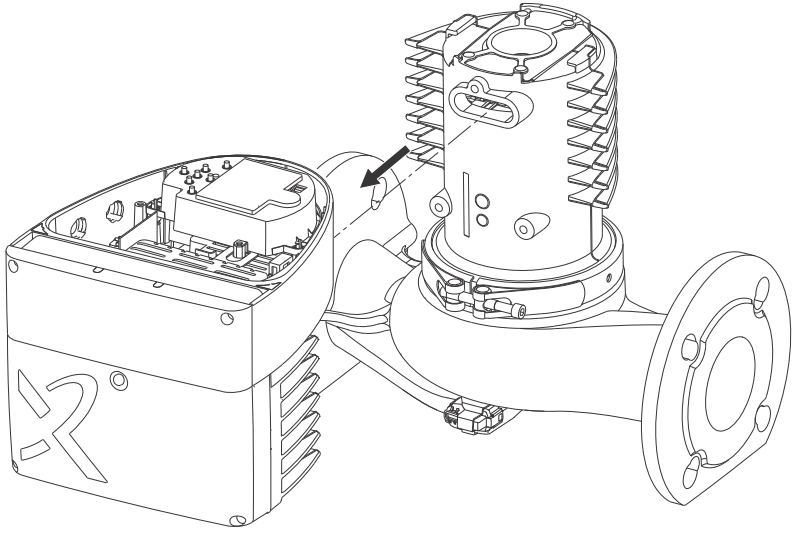


Fig. 7

TM06 6458 1416

2.2 Assembly

ESMX: Montaje

FRCA: Montage

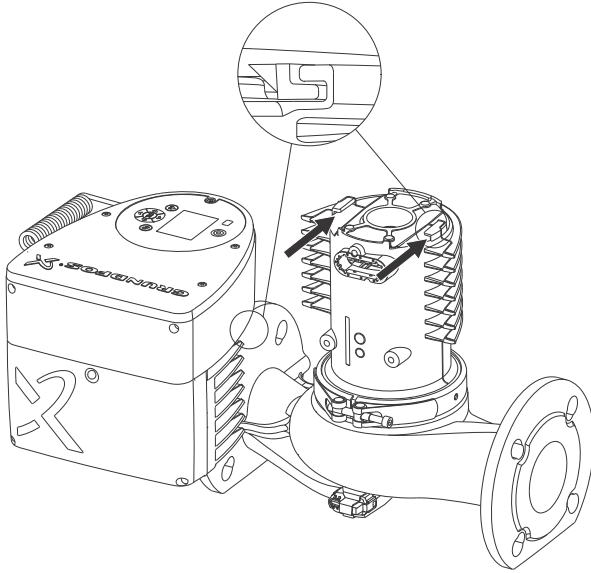


Fig. 1

TM06 6459 1416

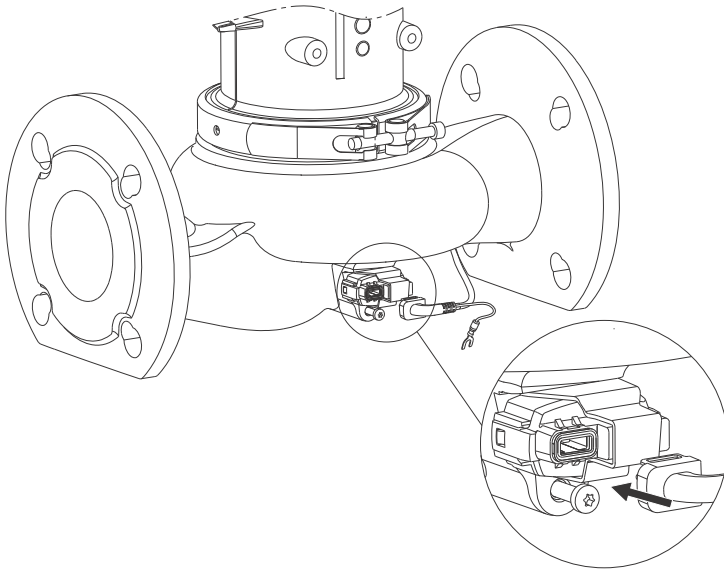
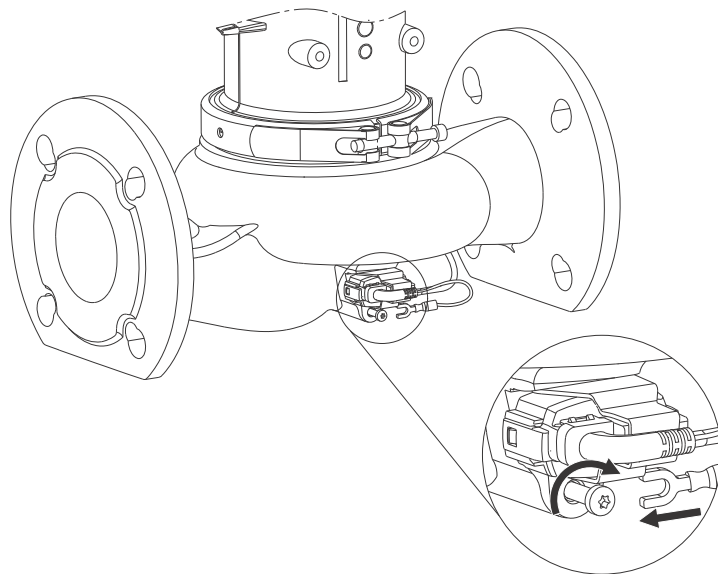


Fig. 2

TM05 5257 2512

**Fig. 3****English (US)**

If the MAGNA3 pump was produced before week/year 23/15, then we recommend that you fit an equipotential bonding wire (product number 98829551).

Español (ESMX)

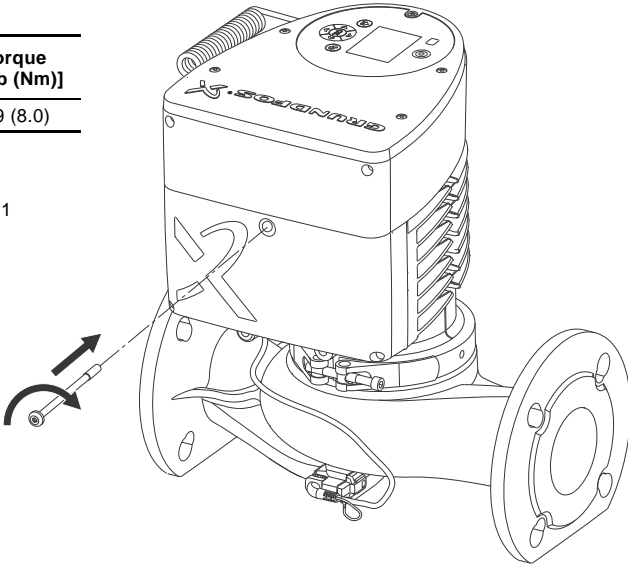
Si la bomba de MAGNA3 fue producida antes de la semana/año 23/15, entonces recomendamos montar un cable de unión equipotencial (número de producto 98829551).

Français (FRCA)

Si la pompe MAGNA3 a été fabriquée avant la semaine/année 23/15, alors nous recommandons d'installer un fil de liaison équipotentiels (numéro de produit 98829551).

| Size | Torque [ft-lb (Nm)] |
|------|------------------------|
| M6 | 5.9 (8.0) |

⊛ TX30 x 1

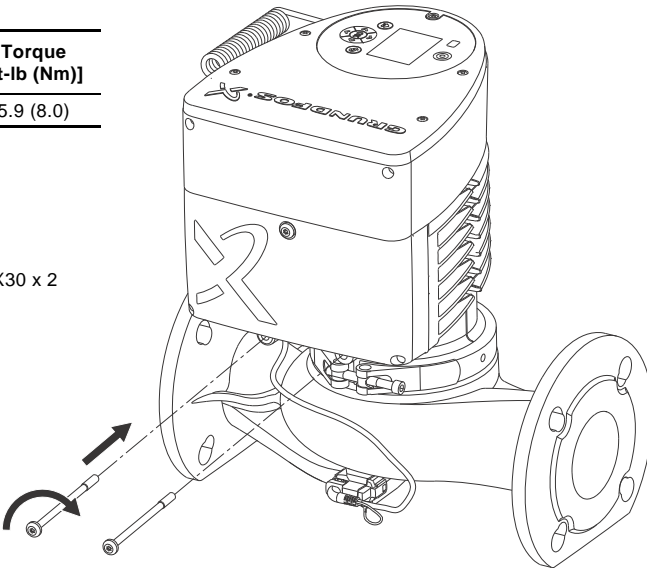


TM06 6460 1416

Fig. 4

| Size | Torque [ft-lb (Nm)] |
|------|------------------------|
| M6 | 5.9 (8.0) |

⊛ TX30 x 2



TM06 6461 1416

Fig. 5

TM06 6462 1416

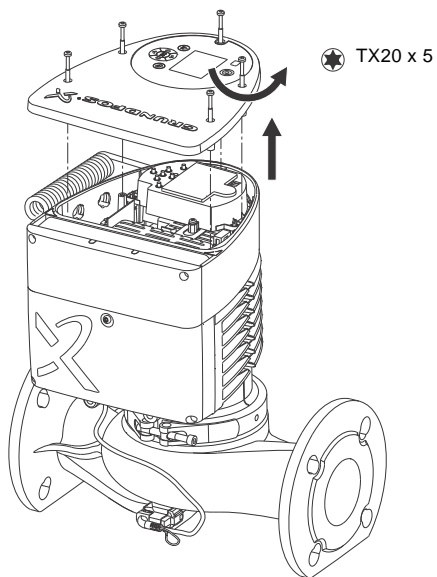


Fig. 6

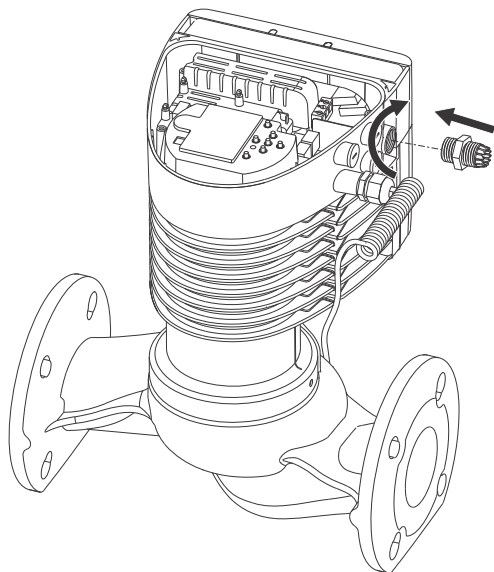
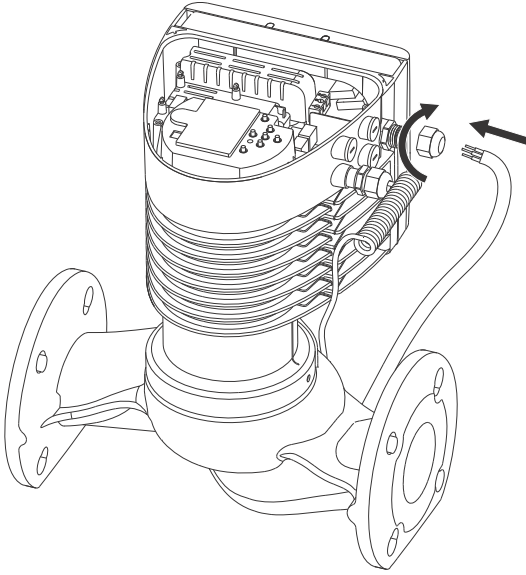


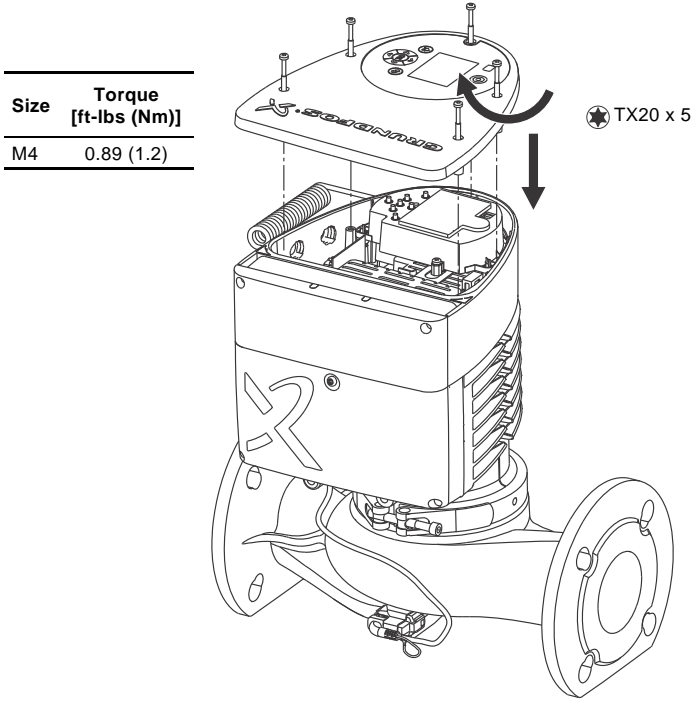
Fig. 7

TM05 4911 3112



TM05 4648 3112

Fig. 8



TM05 3507 3112

Fig. 9

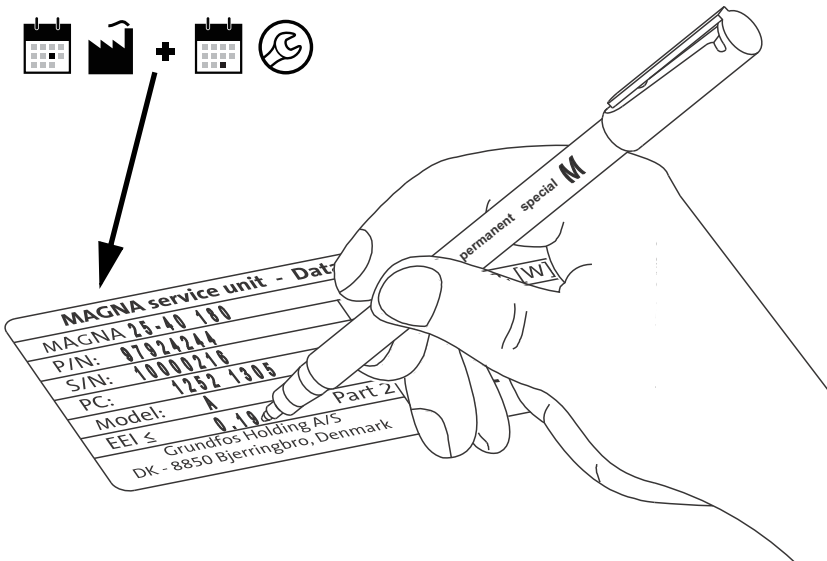


Fig. 10

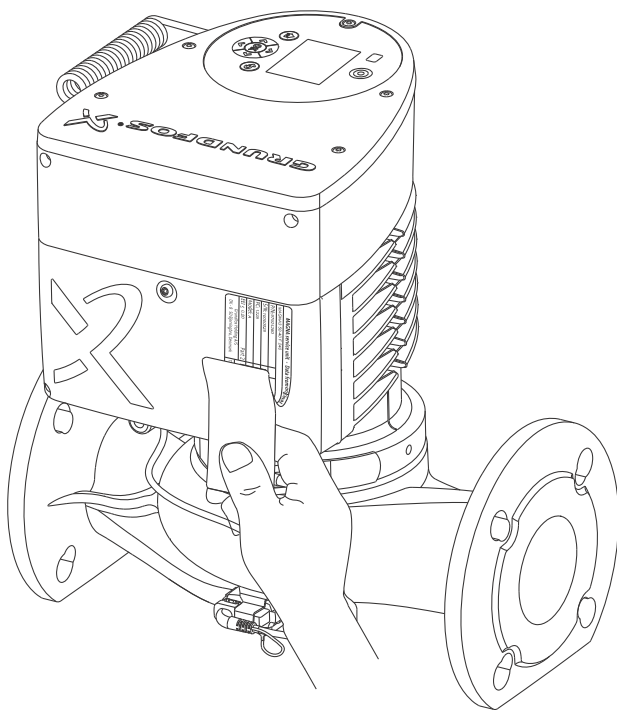


Fig. 11

Grundfos Kansas City

17100 West 118th Terrace
Olathe, Kansas 66061
Phone: +1-913-227-3400
Fax: +1-913-227-3500

www.grundfos.us

Grundfos Canada

2941 Brighton Road
Oakville, Ontario L6H 6C9 Canada
Phone: +1-905 829 9533
Fax: +1-905 829 9512

www.grundfos.ca

Grundfos México

Boulevard TLC No. 15
Parque Industrial Stiva Aeropuerto
C.P. 66600 Apodaca, N.L. Mexico
Phone: +011-52-81-8144 4000
Fax: +011-52-81-8144 4010

www.grundfos.mx

© Copyright Grundfos Holding AS

The name Grundfos, the Grundfos logo, and **be think innovate** are registered trademarks owned by Grundfos Holding AS or Grundfos AS, Denmark. All rights reserved worldwide.

| |
|----------------------|
| 99078219 0616 |
| ECM: 1186438 |