



MAGNA3



net.grundfos.com/qr/i/99332342

be
think
innovate

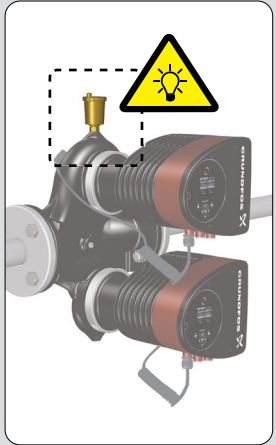
GRUNDFOS 



MAGNA3



MAGNA3 D





Max. 95 % RH
Enclosure Type 2



Min./Max.
+14°F – 230°F (-10°C – 110°C)



PN 12: 175 psi/1.2 MPa



Min./Max.
+32°F – +104°F (0°C – 40°C)



< 55 dB(A)



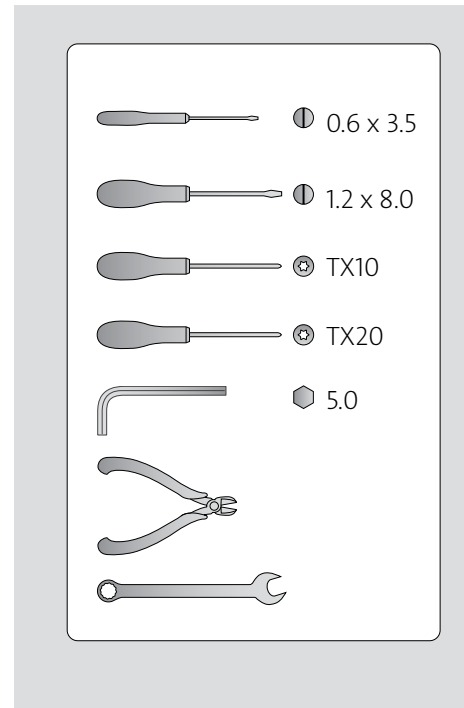
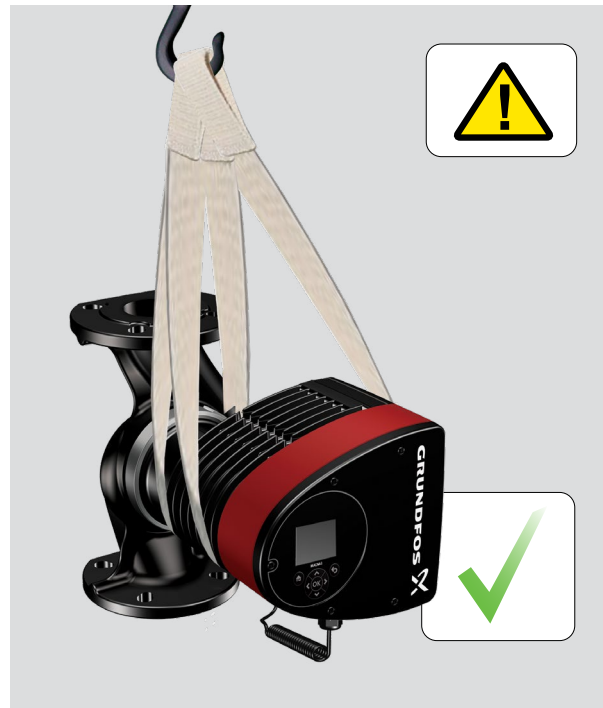
CAUTION: Electrical cord should hang free and must not touch parts that are above 167°F (75°C).

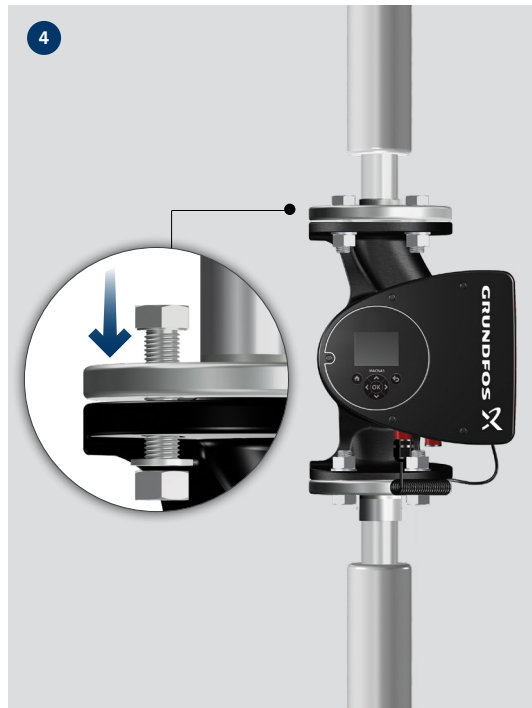


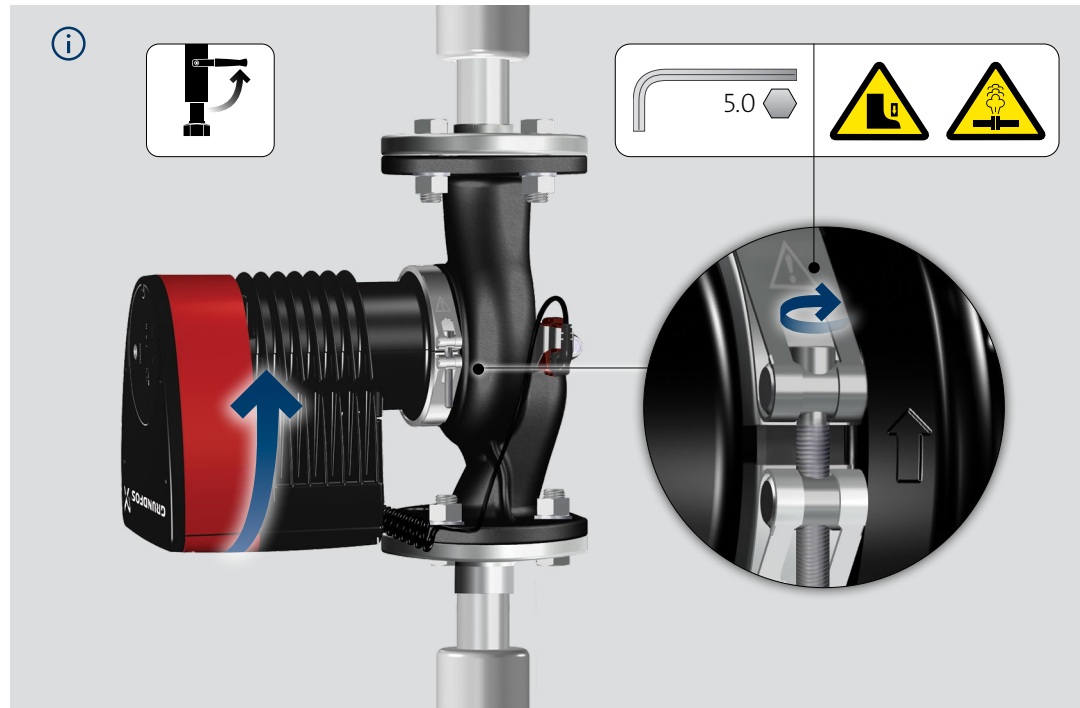
MISE EN GARDE: Le cordon électrique doit être libre de support et ne doit pas toucher les pièces qui sont au-dessus de 167 ° F (75 ° C).

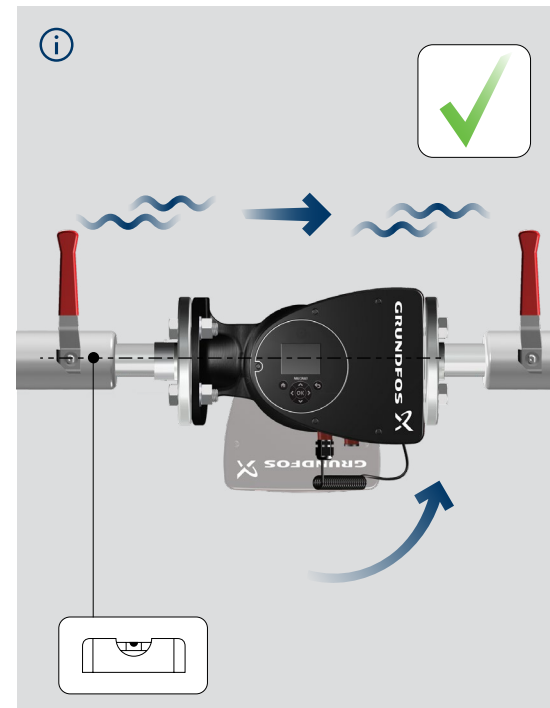
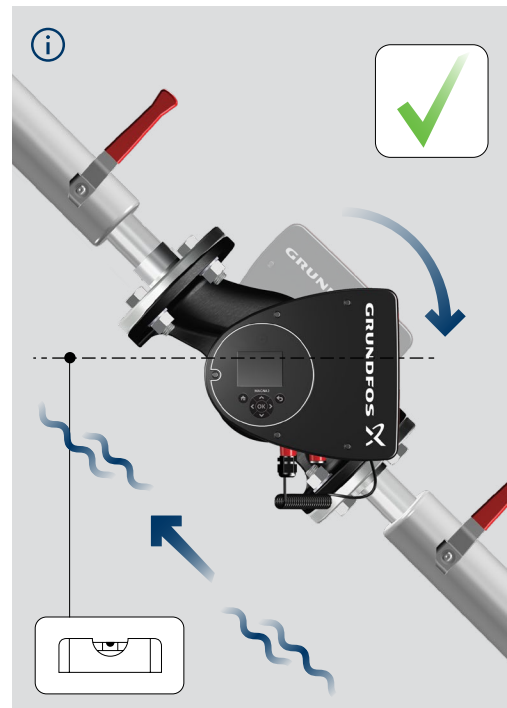
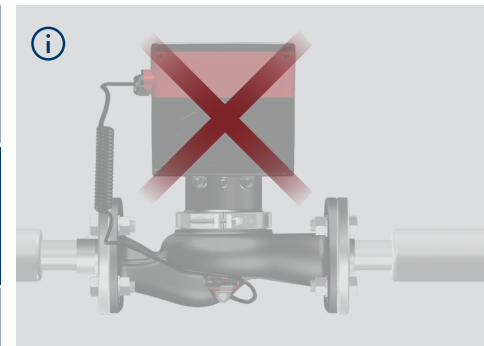
PRECAUCIÓN: El cable eléctrico debe colgar libremente y no debe tocar partes que estén por encima de los 167 ° F (75 ° C).

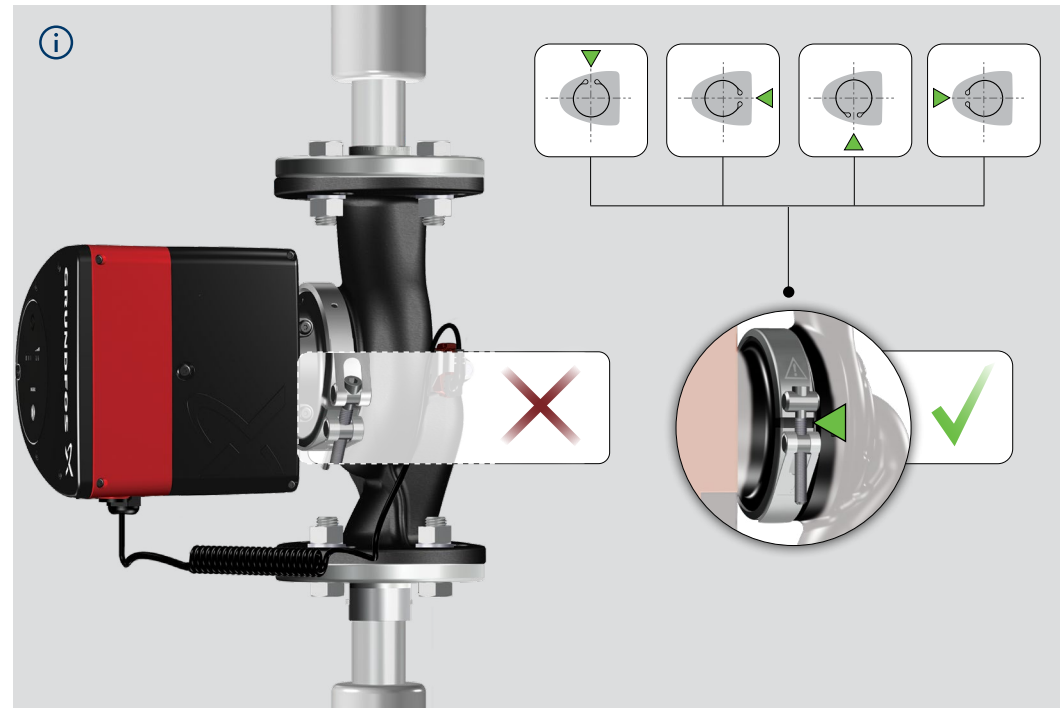
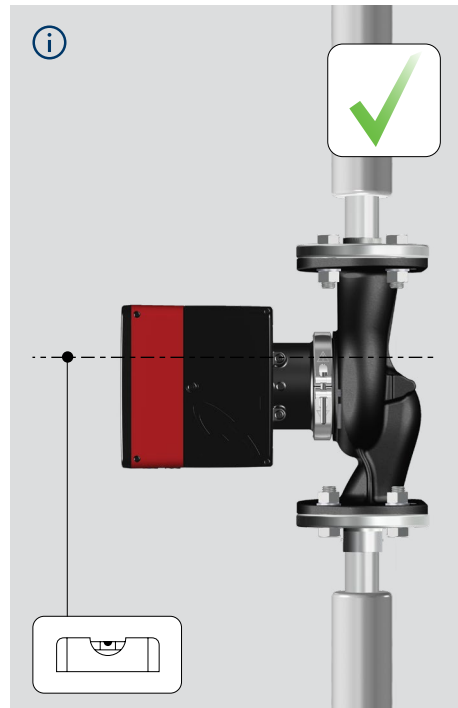
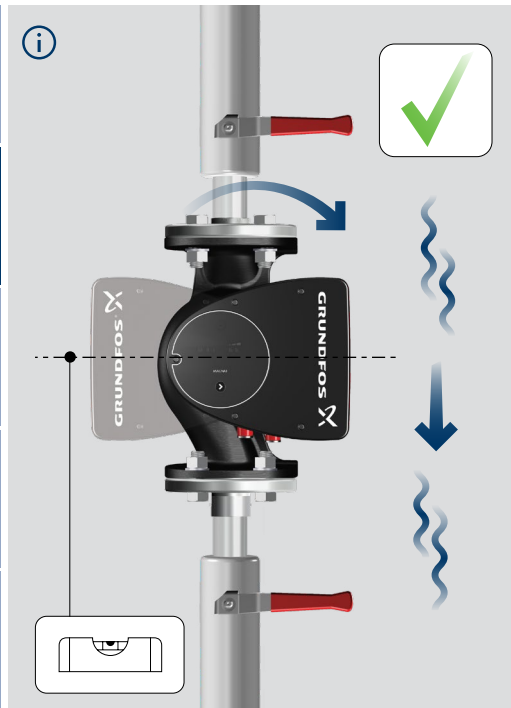








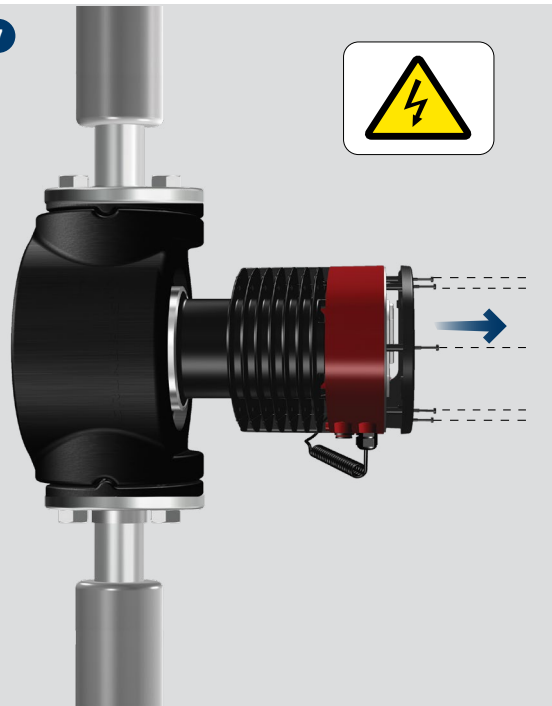








7



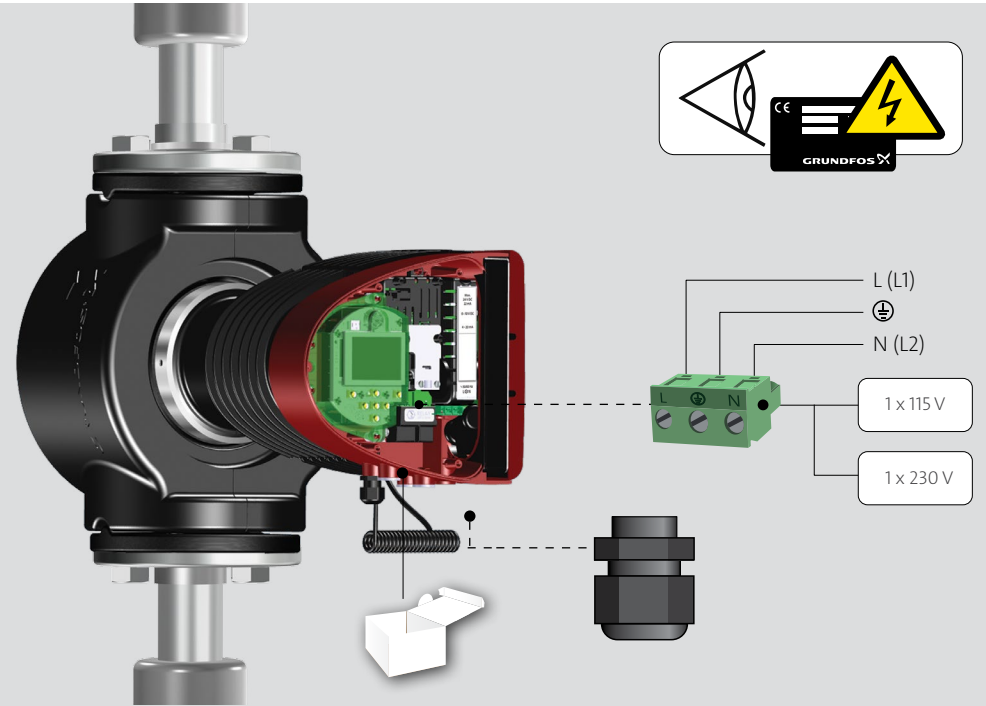
8



Installation must comply with the requirements of the National Electrical Code.

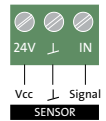
L'installation doit être conforme aux exigences de la norme National Electrical Code.

La instalación debe cumplir los requerimientos del código National Electrical Code.

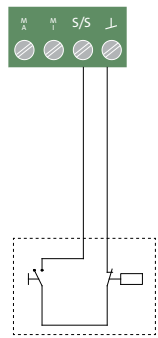




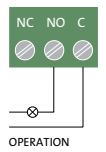
Analog input



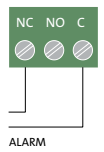
Digital input



Relay 1

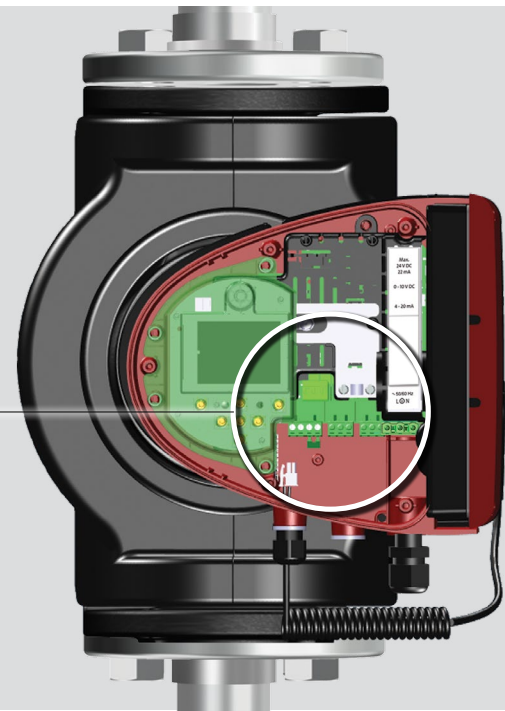
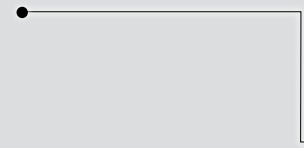
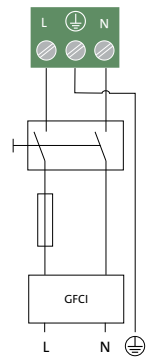


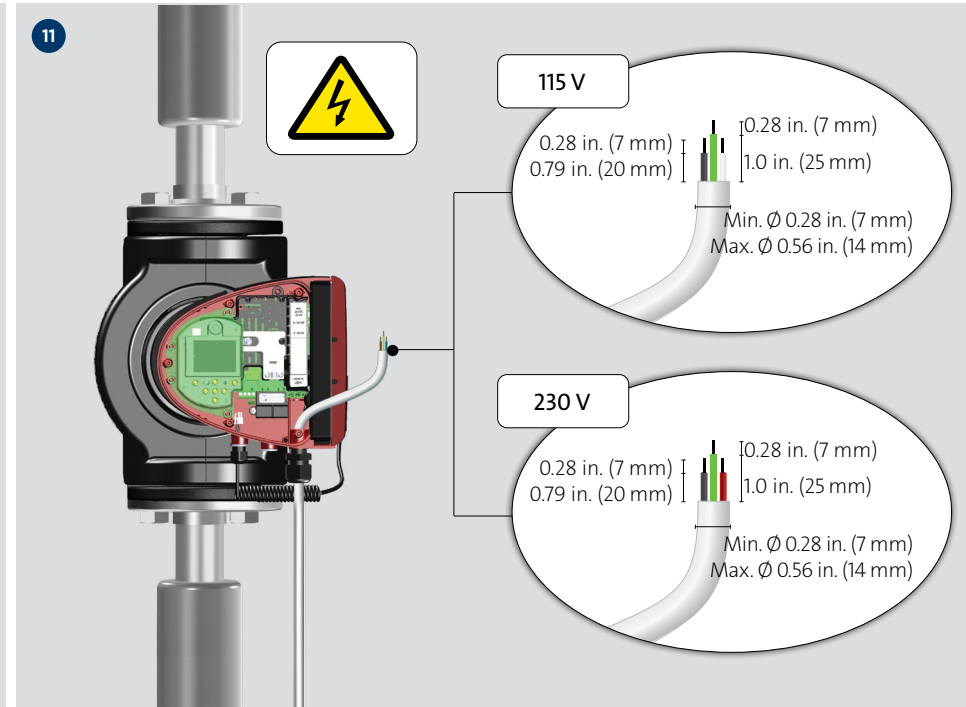
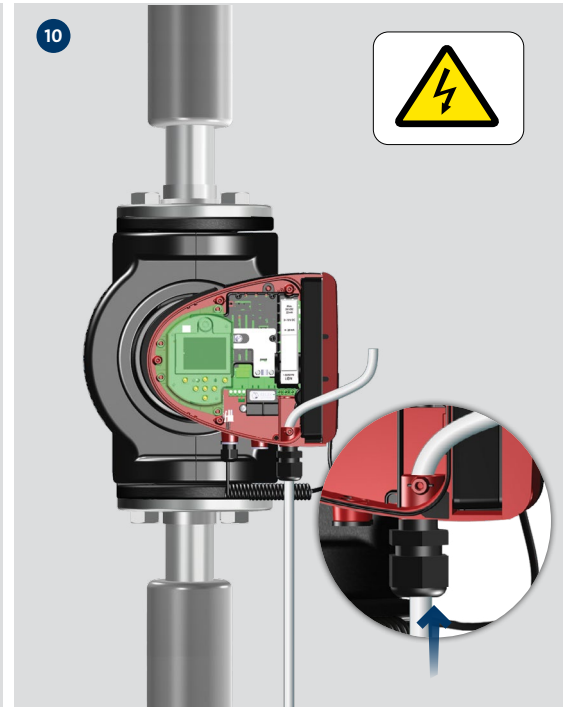
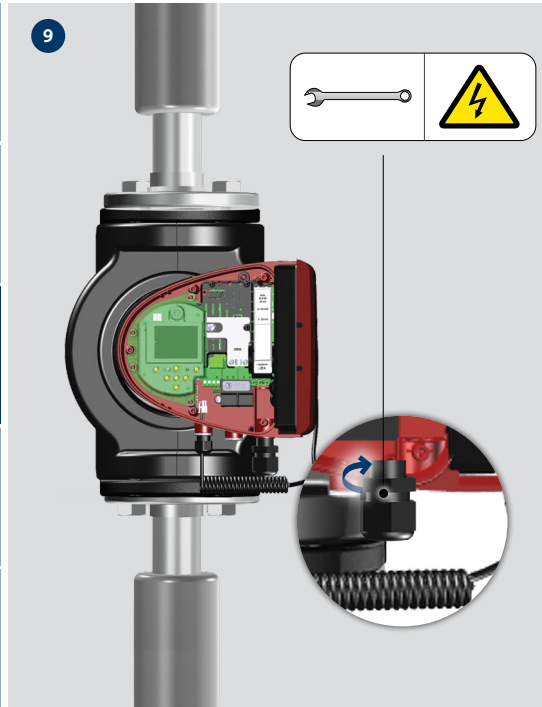
Relay 2



Use C and NC for fault signals as this enables serial connections of more relays and detection of signal cable defects.

Power



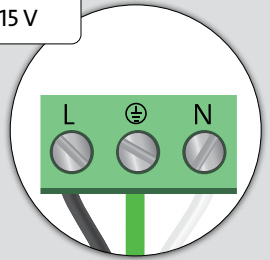




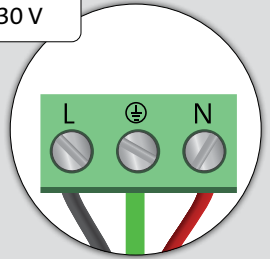
12



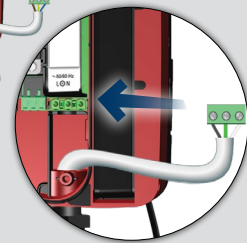
115 V



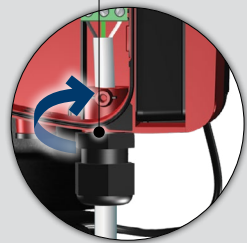
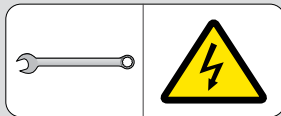
230 V



13

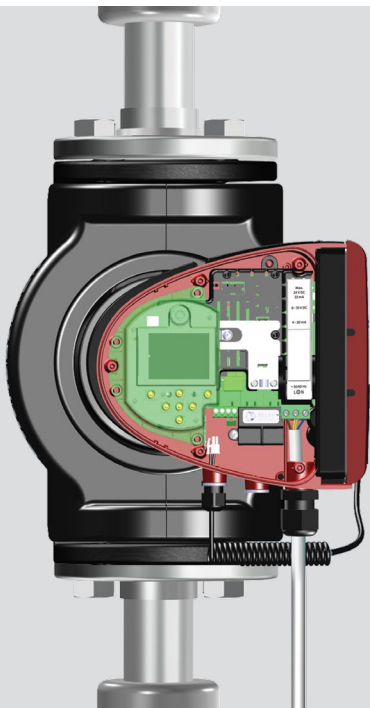


14

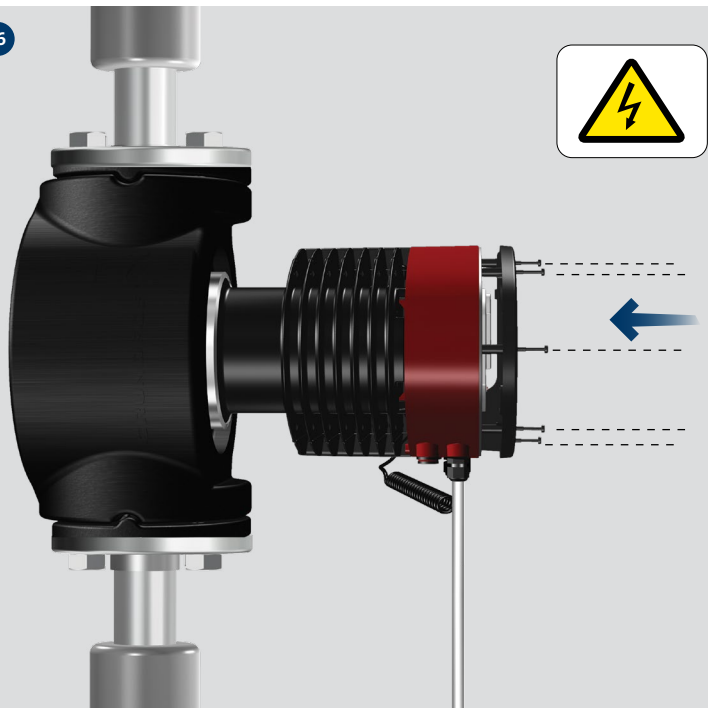




15



16



17



18



Power cycle: Max. 4 starts per 60 minutes

Cycle de puissance: Max. 4 démarrages par 60 minutes

Ciclo de energía: Max. 4 arranques por 60 minutos minutos

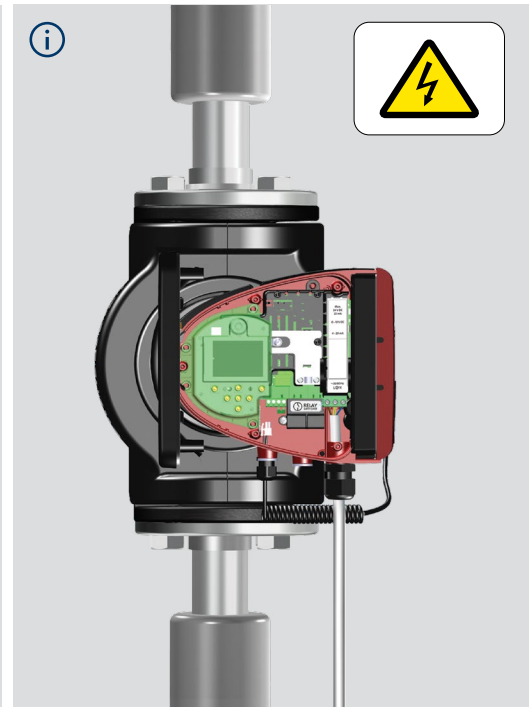
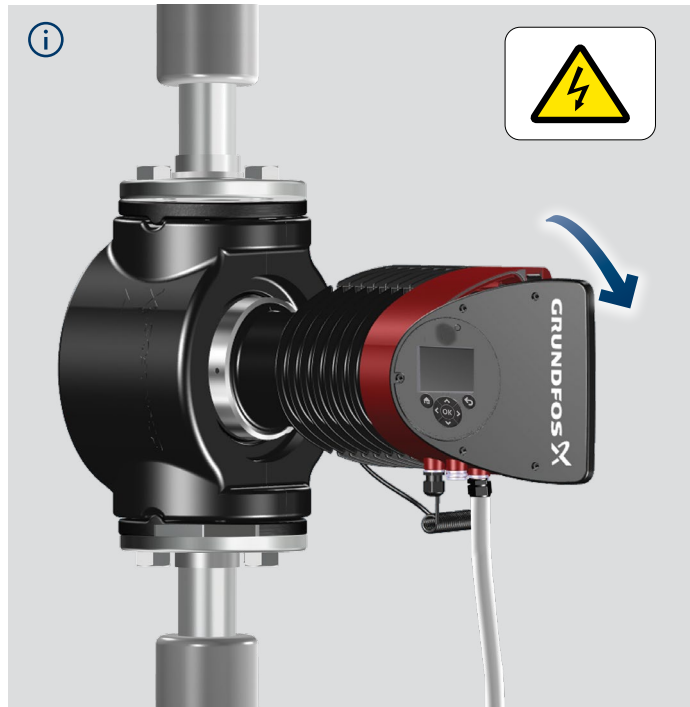
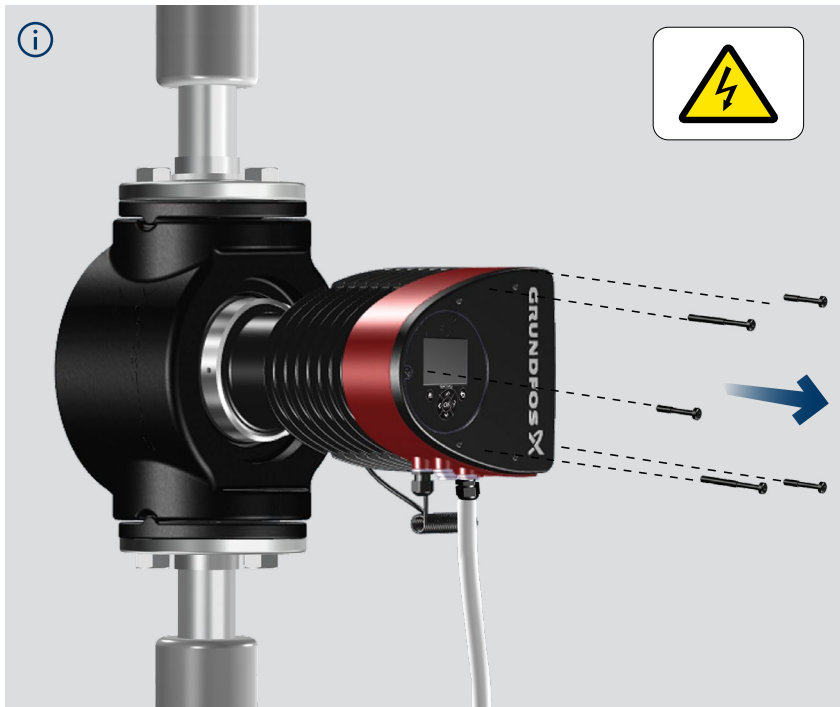
19

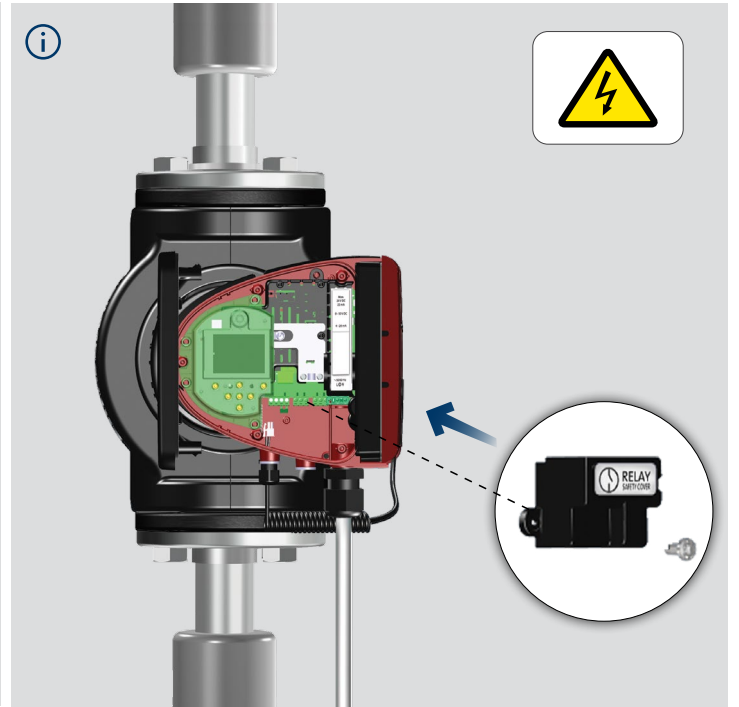
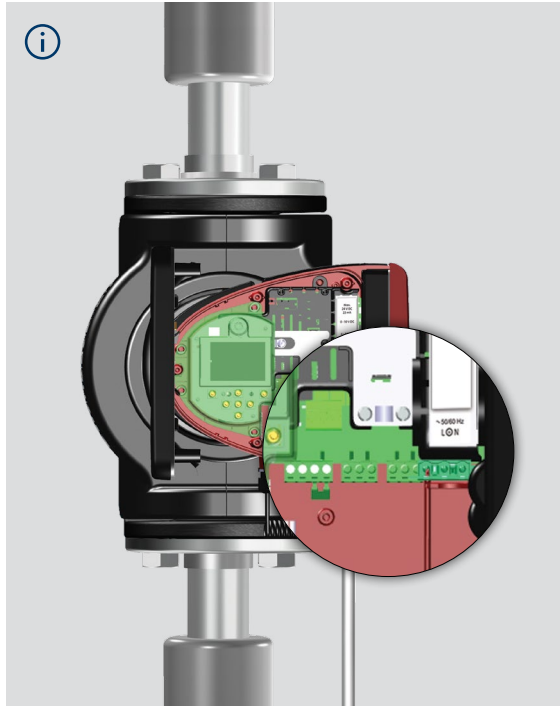
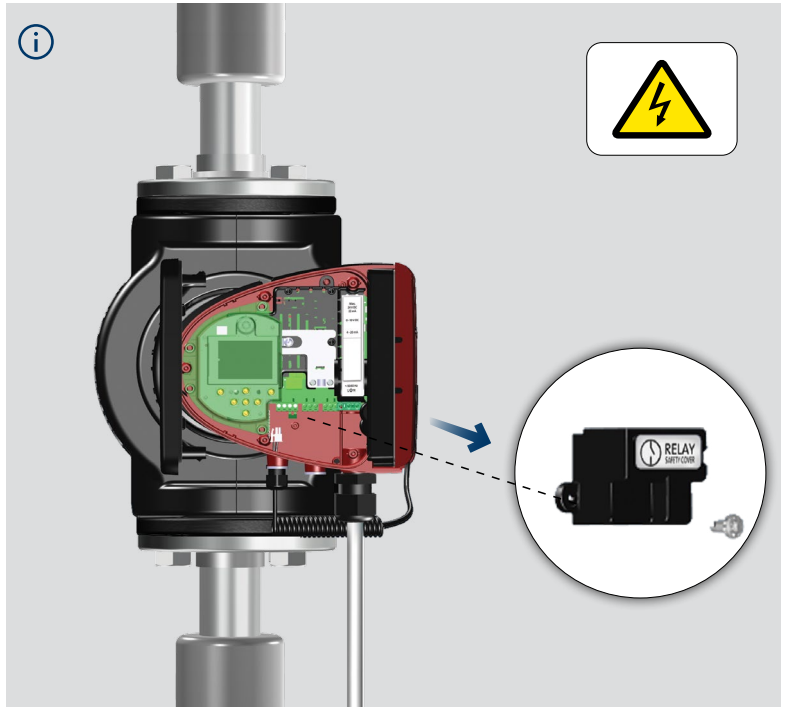


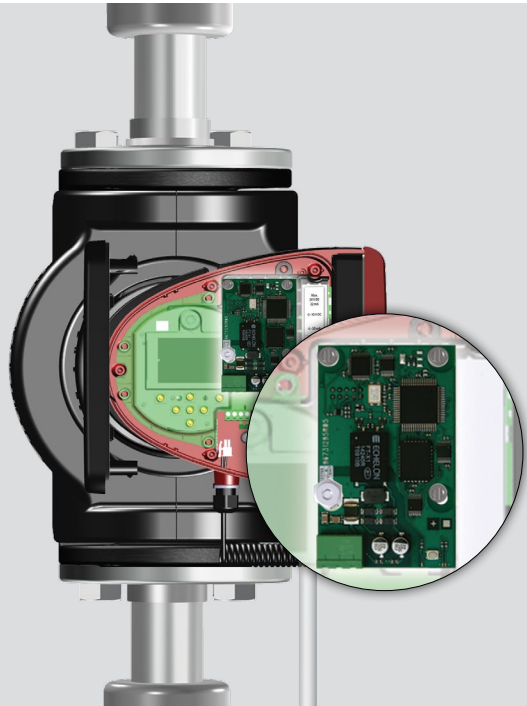
Further product documentation
Documentation supplémentaire
Información adicional de producto



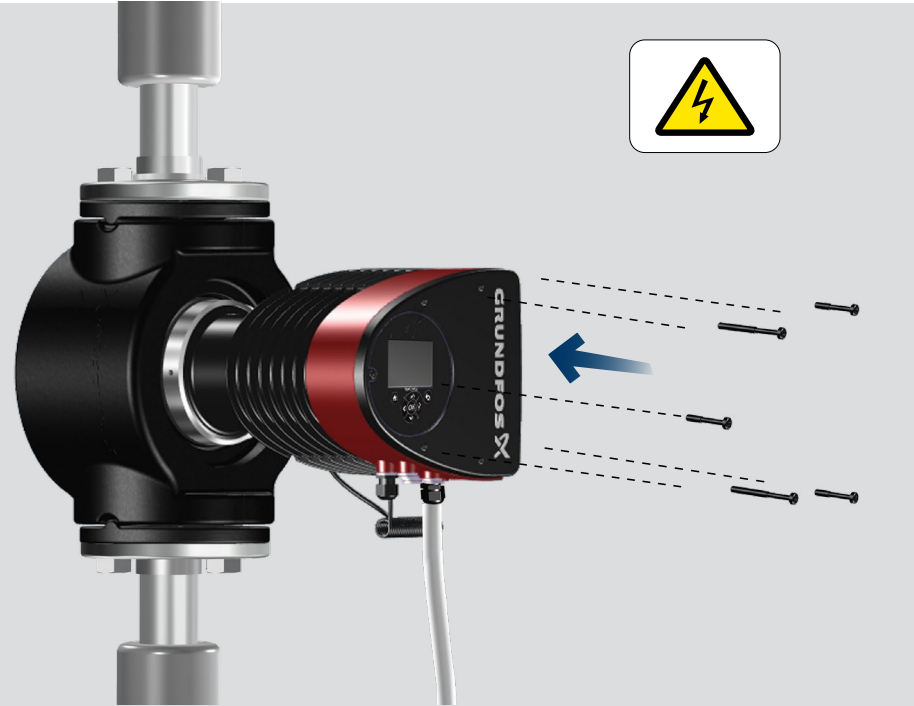
net.grundfos.com/qr/i/99332342







net.grundfos.com/qr/i/98091805



Installation date: _____

Installer:

GRUNDFOS Kansas City

17100 West 118th Terrace
Olathe, Kansas 66061
Phone: (913) 227-3400
Fax: (913) 227-3500
www.grundfos.us

GRUNDFOS Canada

2941 Brighton Road
Oakville, Ontario L6H 6C9
Canada
Phone: +1-905 829 9533
Fax: +1-905 829 9512
www.grundfos.ca

GRUNDFOS Mexico

Boulevard TLC No. 15
Parque Industrial Stiva
Aeropuerto
C.P. 66600 Apodaca, N.L.
Mexico
Phone: 011-52-81-8144 4000
Fax: 011-52-81-8144 4010
www.grundfos.mx

99341856 08.2020

ECM: 1290593

Trade marks displayed in this material, including but not limited to Grundfos, the Grundfos logo and "be think innovate" are registered trademarks owned by The Grundfos Group. All rights reserved.

© 2020 Grundfos Holding A/S, all rights reserved.