

Project:	Quantity:
Model #:	Approval:

For Commercial Use Only

60" Refrigerated Pizza Prep with Refrigerated Stainless Topping Rail



FEATURES

- 60" marble working top
- Refrigeration system keeps food at safe temperatures
- Electronic control system
- Stainless steel interior and exterior
- Double swinging solid door
- 110V. Just plug in and start selling
- Eco-friendly refrigerant
- Automatic defrost
- Foamed-in-place polyurethane insulation
- 15.1 cubic ft capacity internal storage
- Pre-installed Casters
- Topping rail fits (6) 1/3 size pans 6" deep pans (Pans sold separately)

This Coldline commercial refrigerated pizza prep table with 60" marble top (synthetic surface material) is perfect for restaurants, delis, bakeries, or cafes. It keeps your bottles at safe temperatures.

USR Brands is a US supplier of premium quality commercial cooking, refrigeration and food preparation equipment. Our aim is simple. Produce industry-leading commercial restaurant equipment at reasonable prices, and back it all up with an easy to understand, no nonsense warranty that people can count on.

Project:	Quantity:
Model #:	Approval:

For Commercial Use Only

TECHNICAL DATA

DIMENSIONS

Exterior Dimensions	59.4"W x 31.5"D x 51"H
Pizza Prep Interior Dimensions	37.3"W x 26.7"D x 22.4"H
Topping Rail Interior Dimensions	45.3"W x 12.2"D x 6.5"H
Packaging Dimensions	60.8"W x 32.6"D x 54"H
Pizza Prep Net Volume	15.1 cu. ft.
Unit Weight	273 lb.
Shipping Weight	368 lb.

ELECTRICAL

Voltage	115
Hertz	60
Phase	1
Plug Type	NEMA 5-15P
Pizza Prep Power Cord Length	90"
Topping Rail Power Cord Length	60"

COOLING

Temperature Range	33°F to 41°F
Pizza Prep Refrigerant	R290
Topping Rail Refrigerant	R600a
Max. Ambient Temp	90°F
Defrosting	Automatic
Temperature Controller	Digital
Pizza Prep Horsepower	1/4
Topping Rail Horsepower	1/6

CONSTRUCTION

Material	Stainless Steel
Exterior Color	Silver
Insulation Material	Foamed-in-Place Polyurethane
Pans	(6) x 1/3 Size 6" Deep S/S Pans (sold separately)
Shelf Size	(2) 16" x 24.8"
Shelf Material	Epoxy Coated Steel
Adjustable Shelf	Yes
Marble Thickness	1.2"
Caster	5" (2 with brakes, 2 without)

TECHNICAL DRAWING

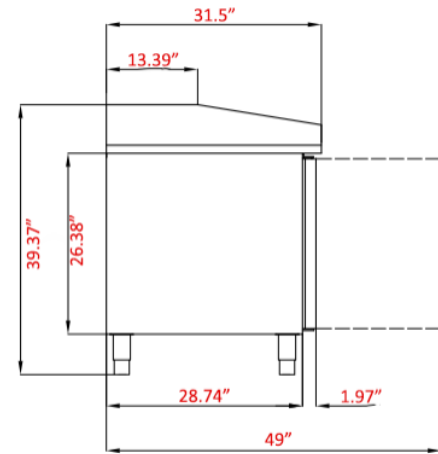
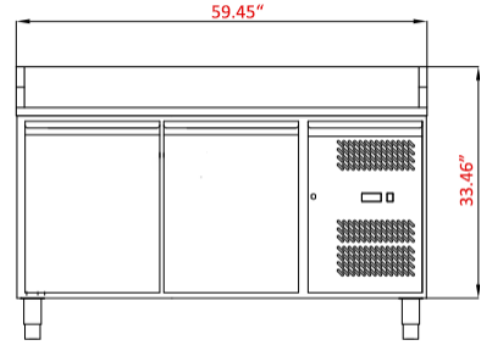
MODEL: PDR-60-SS
PZ2600TN

MFR ITEM #:

Pizza Prep



NEMA 5-15P



Topping Rail

