

Project:	Quantity:
Model #:	Approval:

For Commercial Use Only

B275 22" 275 lb. Ice Storage Bin - BIN ONLY



FEATURES

- Ice machine storage bin
- 275 lb. ice storage capacity
- Stainless steel and plastic molding construction
- Corrosion resistant
- Polyurethane insulation
- Bin interior is sanitary and easy to clean
- Rear drain hole
- Spring loaded door for easy opening and closing
- Adjustable feet
- Hose for water connection and drain pipe included
- Ice scoop included

This ice machine storage bin in stainless steel from Coldline is a very reliable and versatile ice bin that stores up to 275 lb. of ice per day. This #304 stainless steel construction provides durability to a unit that is low-maintenance and easy to clean. The unit produces crystal clear ice cubes that work great for applications in restaurants, bars, hotels, grocery stores and more. This unit runs on a standard electrical current and is ETL approved for commercial use, pairing high output and capacity with easy to use control panel, compact design.

- cETLus Listed
- UL Listed



USR Brands is a US supplier of premium quality commercial cooking, refrigeration and food preparation equipment. Our aim is simple. Produce industry-leading commercial restaurant equipment at reasonable prices, and back it all up with an easy to understand, no nonsense warranty that people can count on.



Datasheet

Project:	Quantity:
Model #:	Approval:

For Commercial Use Only

TECHNICAL DATA

DIMENSIONS

Exterior Dimensions	22"W x 32.7"D x 45.2"H
Packaging Dimensions	25.4"W x 35"D x 41.5"H
Unit Weight	79 lb.
Shipping Weight	86 lb.

BIN

Bin Storage Capacity	275 lb.
----------------------	---------

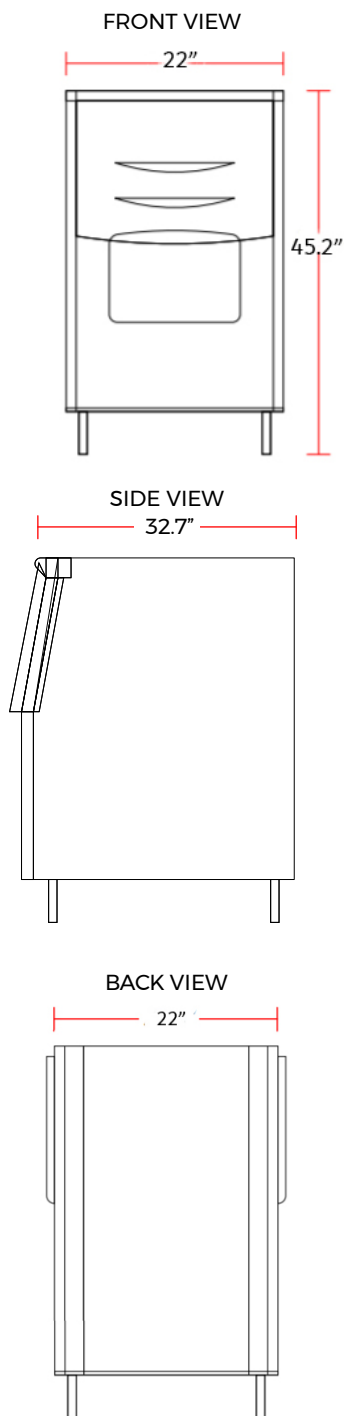
CONSTRUCTION

Exterior Material	Stainless Steel
Interior Material	Polyethylene
Insulation Material	Foamed-in-Place Polyurethane
Legs / Feet	Adjustable / Leveling
Accessories Included	Ice Scooper Water Hose Drain Hose

TECHNICAL DRAWING

MODEL: B275

MFR MODEL:



USR Brands, Inc.

Phone: 800-764-1172

www.usrbrands.com

sales@usrbrands.com

Rev. 11-2021

Page 405