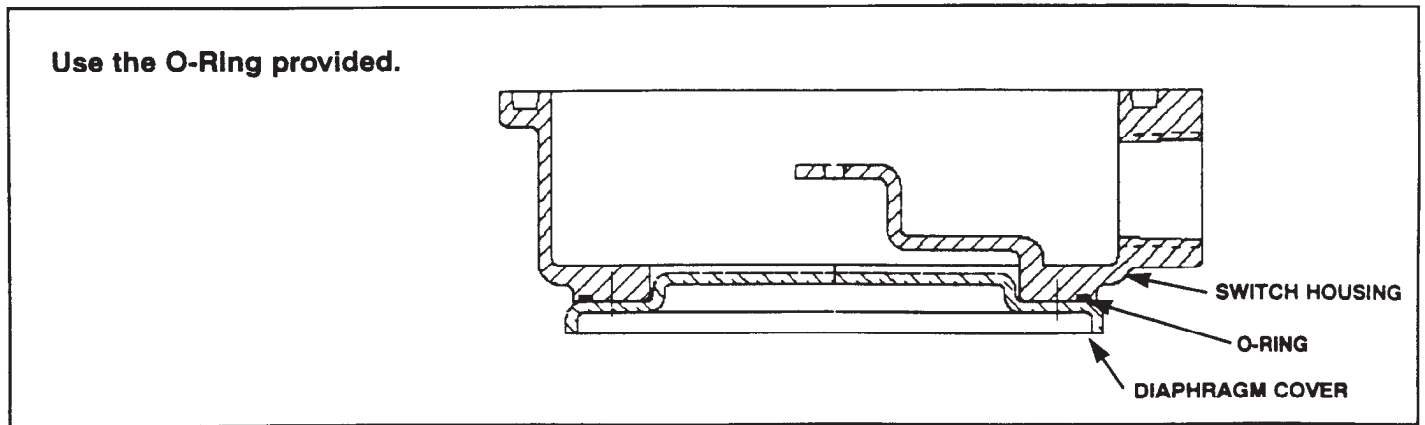


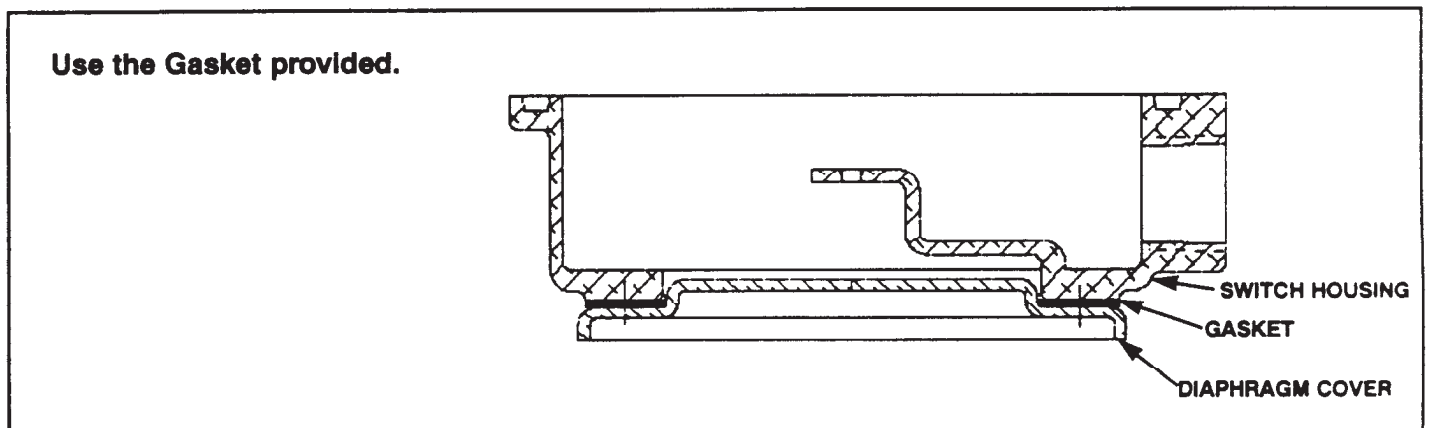


# Series FS1-W and FS6-W Flow Switch Seal Interface Replacement

For Models with an O-Ring Groove in the Switch Housing:



For Models with a Flat Surface Switch Housing:



**IMPORTANT: Do not use both the O-Ring and the Gasket for seal replacement. Using both will prevent the Flow Switch from operating.**