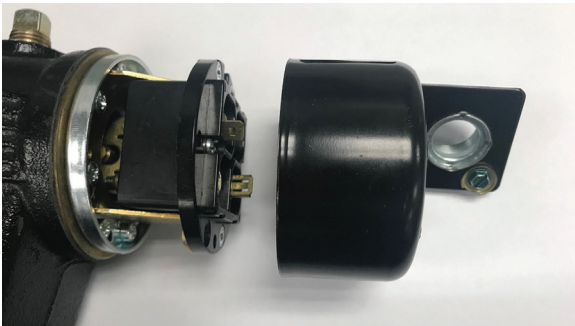
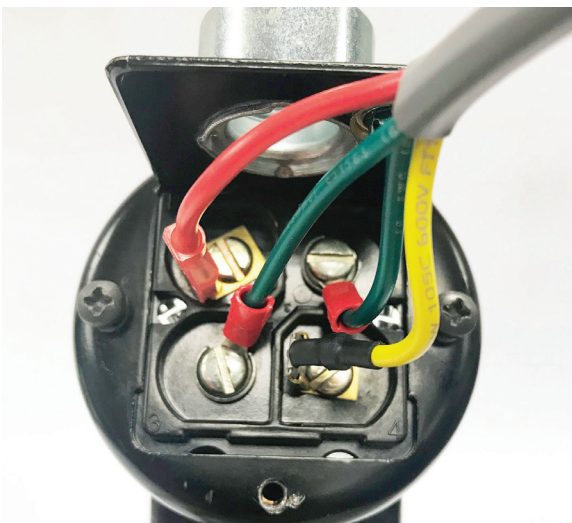


e-11M Switch Installation Quick Guide

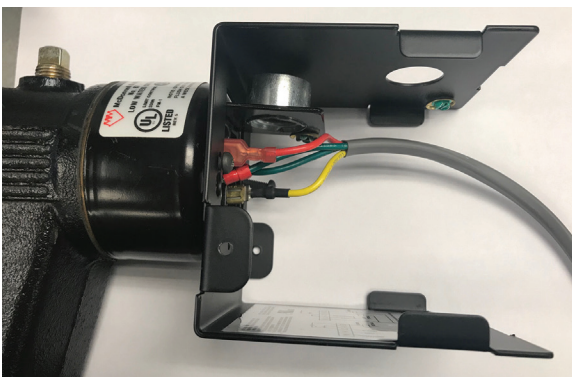
New e-11M Switch utilizes our standard #11 switch (Included in kit).



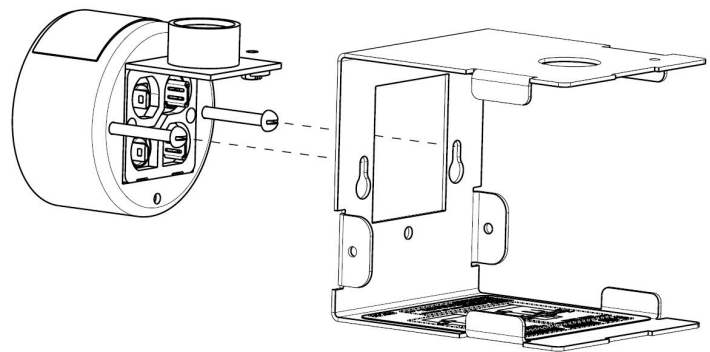
Review IOM provided with the e-11M
Install #11 switch and cover.



Connect wires (provided with e-11M control kit) to #11 switch.



Install new e-11M switch enclosure using existing screws or ones provided with control kit.



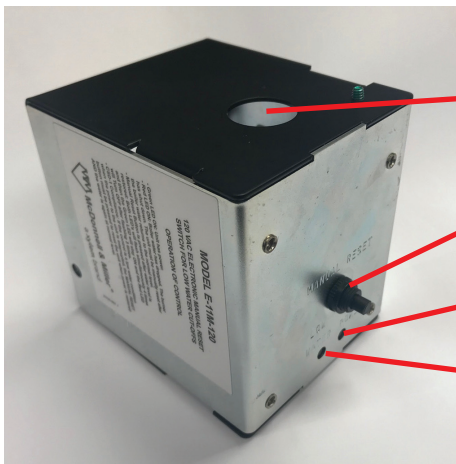
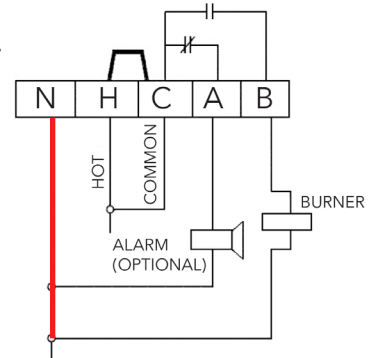
McDonnell & Miller
a xylem brand

e-11M Switch Installation Quick Guide



Connect all boiler wires per IOM. (In some cases it may require running neutral wire. Control requires constant power to operate).

Plug in harness from #11 switch into PC board.



Conduit connection

Reset button needs to be pressed to restart boiler after water level is restored.

Power on GREEN LED should be ON any time control has power.

RED LED indicates low water condition.



Check operation of low water cut-off several time before leaving job.

xylem
Let's Solve Water

Xylem Inc.
8200 N. Austin Avenue
Morton Grove, Illinois 60053
Phone: (847) 966-3700
Fax: (847) 965-8379
www.xylem.com/mcdonnellmiller

McDonnell & Miller is a trademark of Xylem Inc. or one of its subsidiaries.
© 2019 Xylem, Inc. MPF-010 August 2019