

Ripple Sconce
Assembly Guide



Thank you for choosing In Common With. Please confirm that you received all of the components pictured in this guide, and reach out to us if anything is missing. It's rare, but it happens. We hope you enjoy your fixture. With proper care, it should last a lifetime.

Have questions? Please contact us at support@incommonwith.com.



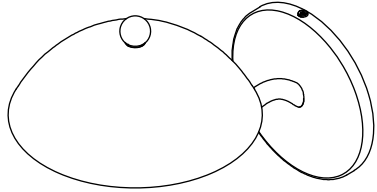
CAUTION!

As a safety feature, this lamp has a polarized plug to reduce the risk of electric shock. This means it has two flat prongs and a third circular prong underneath, and it will fit in an outlet one way only. If the plug does not fit fully and easily into the outlet, do not force it; contact a qualified electrician.

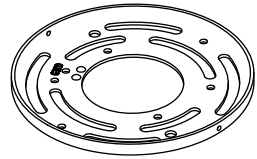
ATTENTION!

Par mesure de sécurité, cette lampe a une fiche polarisée pour réduire le risque de choc électrique. Cela signifie qu'il a deux broches plates et une troisième broche circulaire en dessous, et qu'il ne s'insère dans une prise que dans un seul sens. Si la fiche ne s'insère pas complètement et facilement dans la prise, ne la forcez pas; contactez un électricien qualifié.

Components



Ripple Sconce Assembly



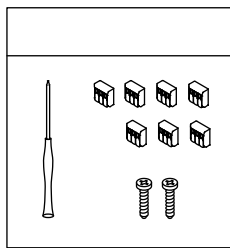
Slim Canopy Backplate



Canopy Screws with Silicone (2)

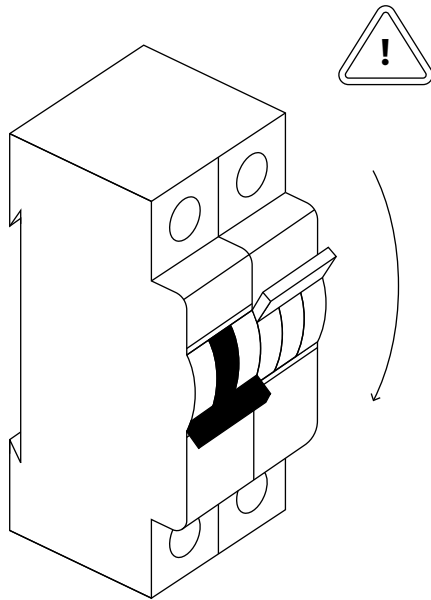


Dimmable LED Driver



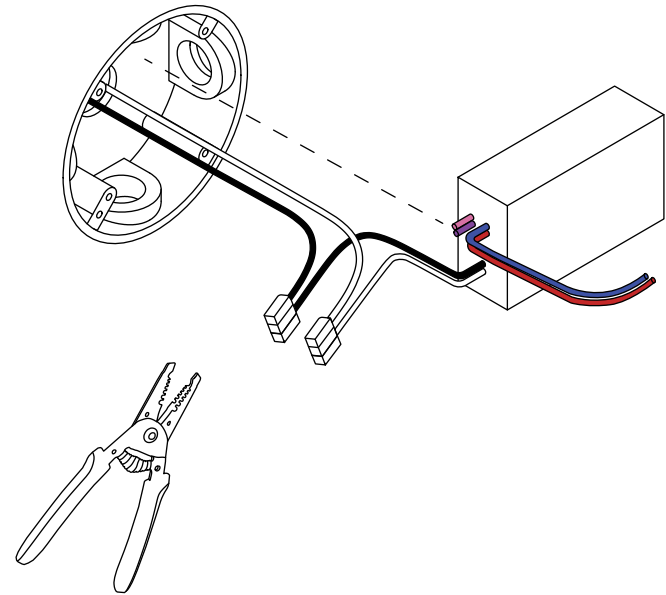
Hardware Pack

Step 1



Before beginning installation, turn off electrical power at the main fuse box or circuit panel.

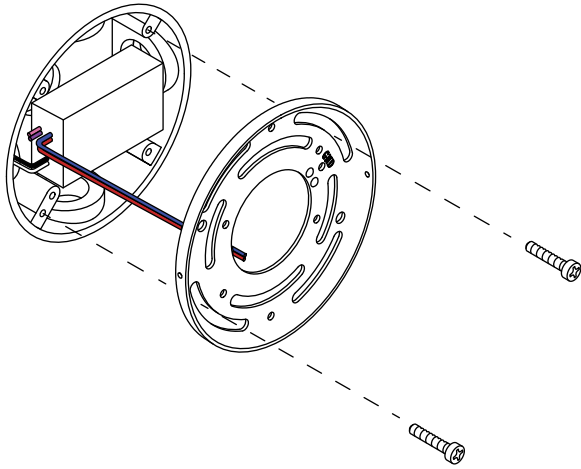
Step 2



If you're wiring to a 0-10V dimmer, you must first connect the LED driver to the wires from the junction box in the wall or ceiling using the Wago clips provided. The white wire from your junction box is the neutral wire, and the Black wire is the live wire. Before inserting them into the corresponding Wago clip, use a wire stripper to remove 3/8" insulation from each wire. The black and white wires will need to be connected to the pink and purple wires from the driver. The Pink wire is the neutral wire, and the Purple wire is the live wire.

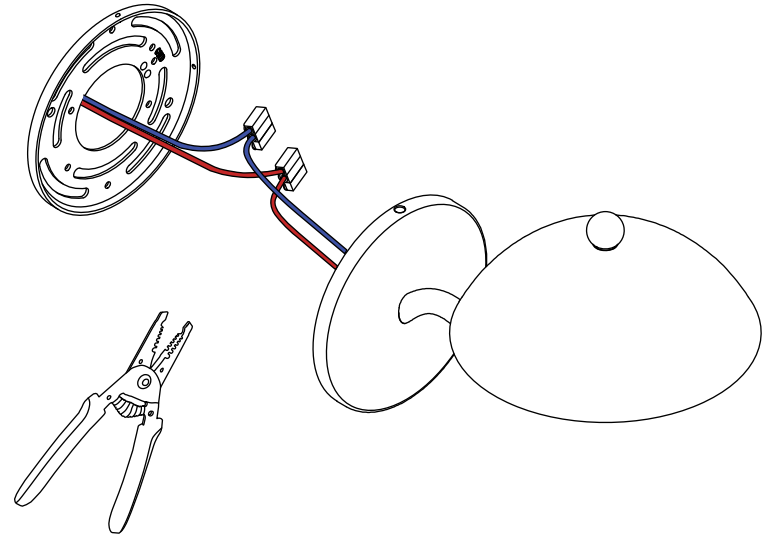
If you are using a TRIAC dimmer, skip this step and move onto step 3.

Step 3



Ensure easy access to the wires by feeding them through the central opening in the Slim Canopy Backplate. Mount the backplate to the junction box using a Phillips head screwdriver to tighten the mounting screws.

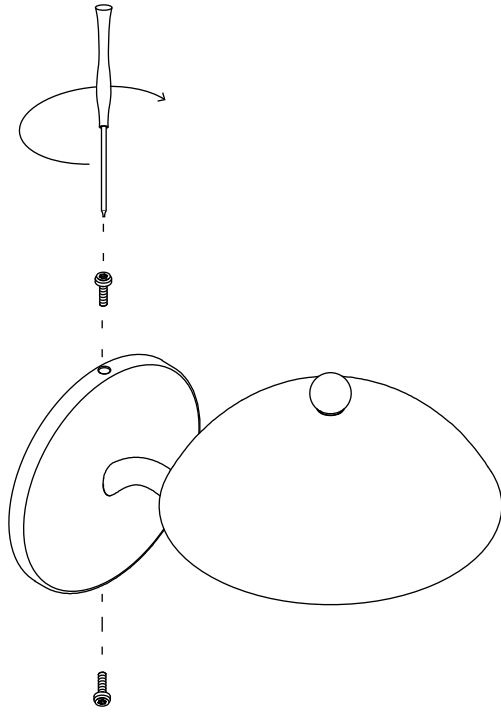
Step 4



To connect the wires of the fixture to those of the driver, make use of the Wago clips provided. Remember that blue is neutral while red is live. Before inserting the wires into the corresponding clip, strip off 3/8" insulation from each wire if required.

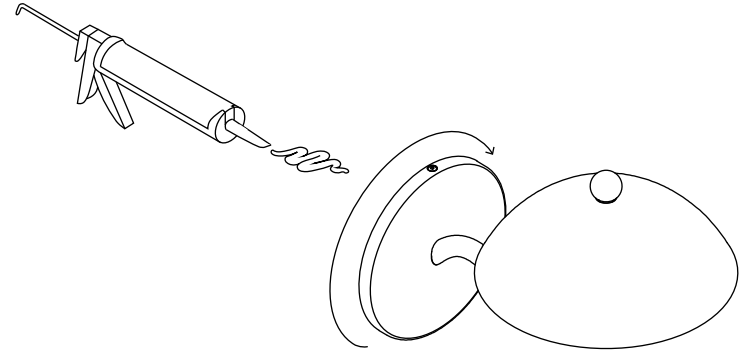
If you are connecting to a TRIAC dimmer, connect the blue wire from the fixture to the white wire in the junction box, and connect the red wire from the fixture to the black wire.

Step 5



Align the holes of the Slim Canopy Backplate with the holes of the canopy cover. Secure the fixture in place using the Canopy Screws with Silicone and the screwdriver found in the hardware pack. Make sure everything is tightly fixed to ensure the connection is water

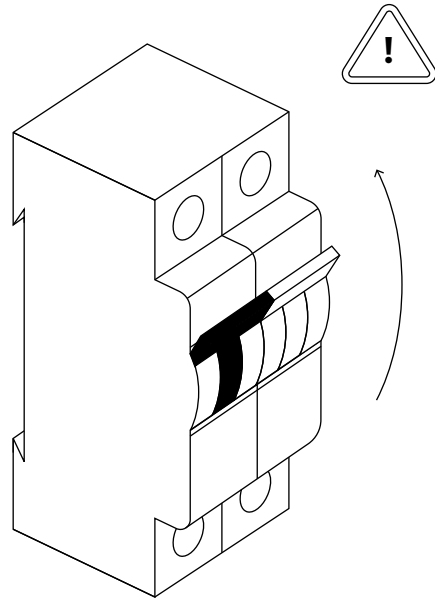
Step 6



If you are planning to install your Sconce in an outdoor or wet location, it's essential to apply a bead of silicone caulk between the Ripple Sconce Assembly and the wall outside. After applying the silicone, smooth it around the light using your finger that has been dipped in a bowl of water.

However, if you are installing the fixture indoors or in a dry or damp location, you can skip this step.

Step 7



Turn the power back on at the main fuse box or circuit panel you disabled before installation. Turn on the light :)

Care Instructions

Never use scouring pads or abrasive cleaning solutions. If it comes in a bottle, it is bad for your fixture. Instead, we recommend using soft microfiber cloths, which are gentler on our products and the planet.

For Metal: Wipe with a damp or dry microfiber cloth. Please note that our brass is unlaquered, and will darken naturally over time.

For Glass: Wipe clear or colored glass with a damp microfiber cloth. For sandblasted or etched glass, use a dry microfiber cloth. Removable glass shades can be washed carefully in a sink using warm or hot water.

For Ceramic: Wipe with a damp microfiber cloth. Do not submerge in water.

Return Policy

We accept returns for store credit only, minus a 15% restocking fee. We do not accept returns on pieces from the Handmade, Disc, Terra, or Flora series, on the Ceramic or Colored Glass Up Down Sconces, or on items that are not in their original condition. Custom and Rush orders are final sale. Please note that shipping charges are non-refundable.

To request a return, email sales@incommonwith.com within ten days of receiving your order. Requests must be approved before a return can be processed. Requests made after ten days will not be accepted.

All products that come in their own box, including but not limited to light bulbs and accessories, must be returned in their original, undamaged box as this is considered part of the product. Once installed, products are no longer eligible for return.

We reserve the right to reject any returned items that do not meet the above requirements. If your return is rejected you will be notified via email.