

MK17

ROUND PULL OUT KITCHEN MIXER

meir®



HANDLE VARIANTS



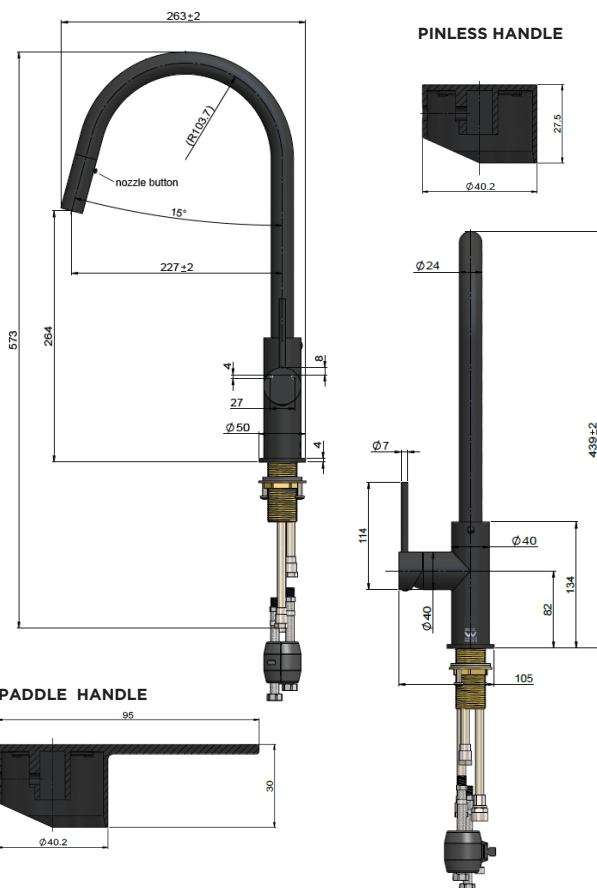
FEATURES

- Refer to the Meir website for warranty terms & conditions, and available finishes.
- Flow rate **5.5L p/m** at 3 bar pressure.
- European components and cartridge
- Solid brass construction
- Pull out hand spout **and veggie spray**.
- Box Weight 2.9 Kg

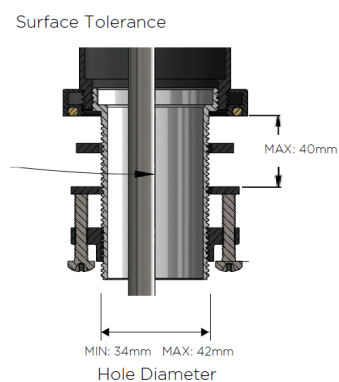
CARE

- Do not install tapware using any form of acetone silicones.
- Do not apply physical items (such as tools) directly to product.
- Never use house-hold or commercial detergents, citrus based cleaners, or abrasive cleaners.
- Clean using a mild washing soap solution rinsed, and dry with a soft cloth.
- Check for any product defects before installation.
- Refer to the installation manual for correct installation.

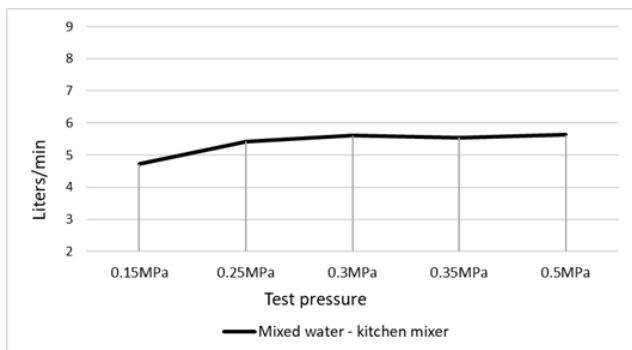
SPECIFICATIONS



TOLERANCES



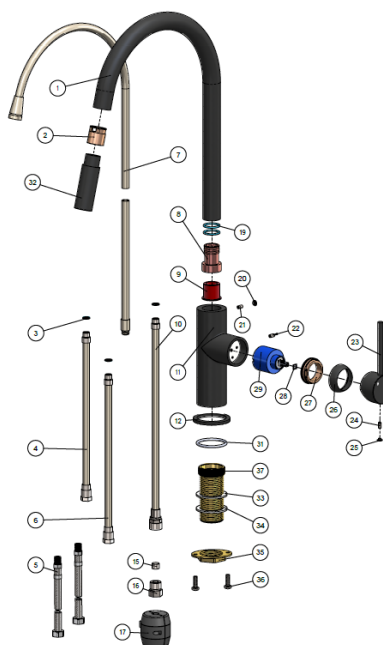
FLOW RATE GRAPH



CREDENTIALS

- Watermark AS/NZS3718WMKA25013
- 5-star WELS rated
- 6 lltres p/minute
- WELS registration No: T36053

EXPLODED VIEW



No.	Part Name	QTY
1	Spout	1
2	Plastic Sleeve	1
3	O-Ring	3
4	Welded Inlet Pipe	1
5	Flexible Hose	2
6	Welded Inlet Pipe	1
7	Pull-out Hose	1
8	Connector	1
9	GSF-PPR-O	1
10	Welded Outlet Pipe	1
11	Body Shell	1
12	Base	1
15	Check Valve	1
16	Connector	1
17	Weight	1
19	O-Ring	2
20	Button	1
21	Screw	1
22	Screw	1
23	Handle	1
24	Screw	1
25	Decorative Button	1
26	Decorative Cover	1
27	Compression Nut	1
28	Flat Washer	1
29	Cartridge	1
31	O-Ring	1
32	Spray Head	1
33	Flat Washer	2
34	Flat Washer	1
35	Mounting Nut	1
36	Screw	2
37	Threaded Tube	1