

MW03-FIN

WALL MIXER FINISH KIT

meir®

MATTE BLACK
MW03-FIN

CHROME
MW03-FIN-C

CHAMPAGNE
MW03-FIN-CH

**TIGER
BRONZE**
MW03-FIN
-BB

**BRUSHED
NICKEL**
MW03-FIN
-PVDBN

**AVAILABLE
FINISHES**



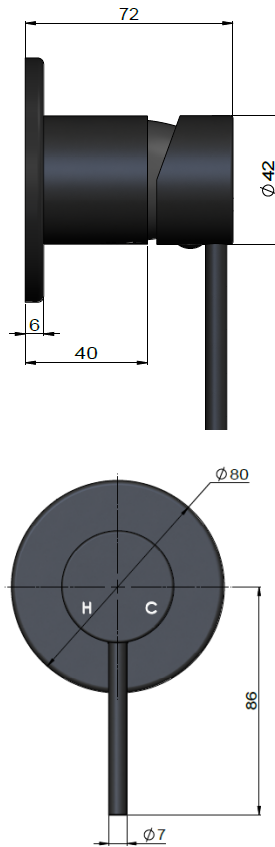
FEATURES

- 10 Year warranty
- Flow rate 18L p/m
- European components and cartridge
- Reinforced rubber seal and lining
- Solid brass construction
- Box Weight 1 Kg

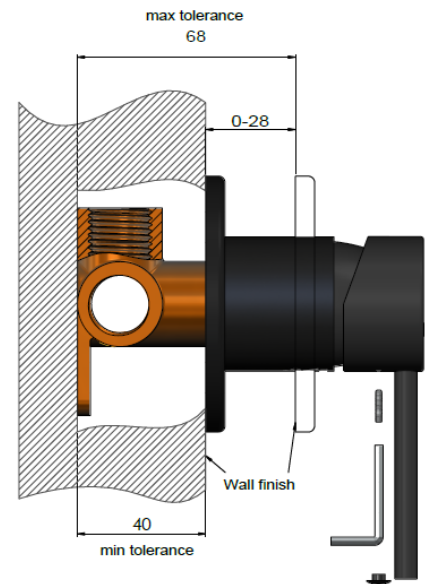
CARE

- Do not install tapware using any form of acetone silicones.
- Do not apply physical items (such as tools) directly to product.
- Never use house-hold or commercial detergents, citrus based cleaners, or abrasive cleaners.
- Clean using a mild washing soap solution rinsed, and dry with a soft cloth.
- Check for any product defects before installation.
- Refer to the installation manual for correct installation.

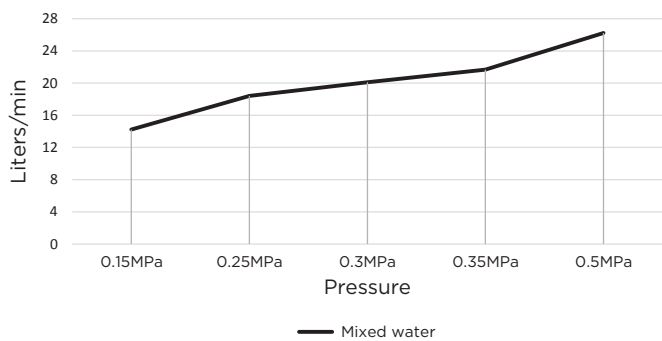
SPECIFICATIONS



TOLERANCES



FLOW RATE GRAPH



CREDENTIALS

- Watermark AS/NZS 3718WMKA25013

EXPLODED VIEW

