



**HVAC** installation  
SOLUTIONS

# Mounting Solutions & Accessories







## EQUIPMENT MOUNTING

# The industry standard for



- Quick setup & Leveling
- Rugged equipment support
- Modular flexibility



Sturdy Adjustable Leg ▶

▲  
Corrosion Resistant  
Galvanized Frame

Tough Nylon Base  
▼

Anti-Vibration Pad  
▼

Big Foot is a registered trademark of Aspen Pumps Limited Company UK.

# free-standing rooftop equipment mounting.



## THE ADVANTAGES OF BIG FOOT SYSTEMS

**The industry standard.** Big Foot Systems set the industry standard for free standing, non-penetrative equipment frames for air conditioning, refrigeration, and other associated roof top equipment.

**Rugged stance.** There are no limits to what can be supported with a Big Foot System. Mounting is strong, secure, flexible and leak proof. Installation is quick, clean, practical and aesthetically pleasing.

**Modular flexibility.** The system is modular and completely flexible. Custom designs offer the ability to change any part of the design of the frame at any time to manage roof loads within project specific parameters.

**Removable legs.** Big Foot system legs can be removed individually. Costly removal of equipment is unnecessary when re-roofing or resurfacing.

**Optimum weight distribution.** The Big Foot base is designed to place load evenly across the frames footprint.

**Optimum strength and longevity.** The Big Foot base is made of glass filled Nylon with UV protection. Frameworks are hot dip galvanized for all weather protection and tested to ASTM (Salt Mist) B117 and G85 (Acetic Salt Mist) standards.

**Quiet durability.** An anti-vibration mat is bonded to the nylon base.

**Quick on-site leveling.** The legs allow for vertical height adjustment to permit easy leveling. An extended leg set option is available for stepped roof applications.

**Reduced risk of roof leaks.** The Big Foot System does not penetrate the waterproof membrane, eliminating difficult flashing around concrete structures. The roofing system warranty is never compromised.

**Architecturally friendly.** Big Foot clean contemporary framework suspends roofing equipment above the roof surface, allowing for a simpler, more flexible roof design.

**Custom frameworks.** For larger, more complex projects, Big Foot offers a custom frame design service. With a plan of your roof and dimensions/weights of the equipment, we can specify standard Big Foot system framework to support up to 10 tons. Contact RectorSeal 1-800-231-3345 for additional questions.

Action videos and full details @ [rectorseal.com/bigfoot](http://rectorseal.com/bigfoot)

# Big Foot Multi Frame

## Endless Equipment Mounting Solutions

### MULTI FRAME STAND QUICK SELECTOR

Your Unit Width	Desired Unit Height 13" – 18"	Desired Unit Height 13" – 26"			
12" – 39"	A	A+			
37" – 59"	C	C+			
57" – 78"	A & B	A+ & B+			
78" – 96"	A & D	A+ & D+			
96" – 114"	C & D	C+ & D+			
Any Frame wider than 114", please call your local Rep for assistance					
	RectorSeal	Big Foot #	Height (in.)	Width (in.)	Depth (in.)
<b>A</b>	87658	B9720	13-18	39	47
<b>B</b>	87659	B9721	13-18	39	47
<b>A+</b>	87660	B9720/1	13-26	39	47
<b>B+</b>	87661	B9721/1	13-26	39	47
<b>C</b>	70265	B9731	13-18	59	47
<b>D</b>	70267	B9732	13-18	59	47
<b>C+</b>	70268	B9731/1	13-26	59	47
<b>D+</b>	70269	B9732/1	13-26	59	47



#### Frame Tech on-line Configuration & Engineering Tool

Frame Tech is an on-line tool to help you configure the precise Multi Frame parts you'll need for your equipment and environment. Frame Tech will ask the right questions and will automatically provide you with engineering specs for max wind load (tip and slip) along with the pounds per foot calculations.

Register for access to Frame Tech at: <https://frametech.bigfootsupport.com>





## BIG FOOT® MULTI FRAME STANDS

Simple, strong and sturdy ground mount support system.

### Big Foot

### Multi Frame & Multi Frame XL

Code	Description	Qty
87658	B9720 Multi Frame	1
87659	B9721 Multi Frame Extension	1
87660	B9720/1 Multi Frame 24" Leg	1
87661	B9721/1 Multi Frame Extension 24" Leg	1
87656	B9662 48" Multi Frame Crossbar	1

Code	Description	Qty
70265	B9731 Multi Frame XL	1
70267	B9732 Multi Frame XL Extension	1
70268	B9731/1 Multi Frame XL Long Stud	1
70269	B9732/1 Multi Frame XL Ext Long Stud	1

#### FEATURES

- Galvanized steel frame with 12" feet
- 40" x 48" and 60" x 48" multiples
- Adjustable leg assemblies
- Supplied boxed with clamp kits
- Ideal rooftop support of equipment and systems
- Weather resistance
- Easy & quick to assemble
- Durable
- Frame available in 2 height adjustable variants: 13"-18" or 13"-26"

#### APPLICATION

- Designed for VRF/VRV mounting
- Extendable from any side with extension kits

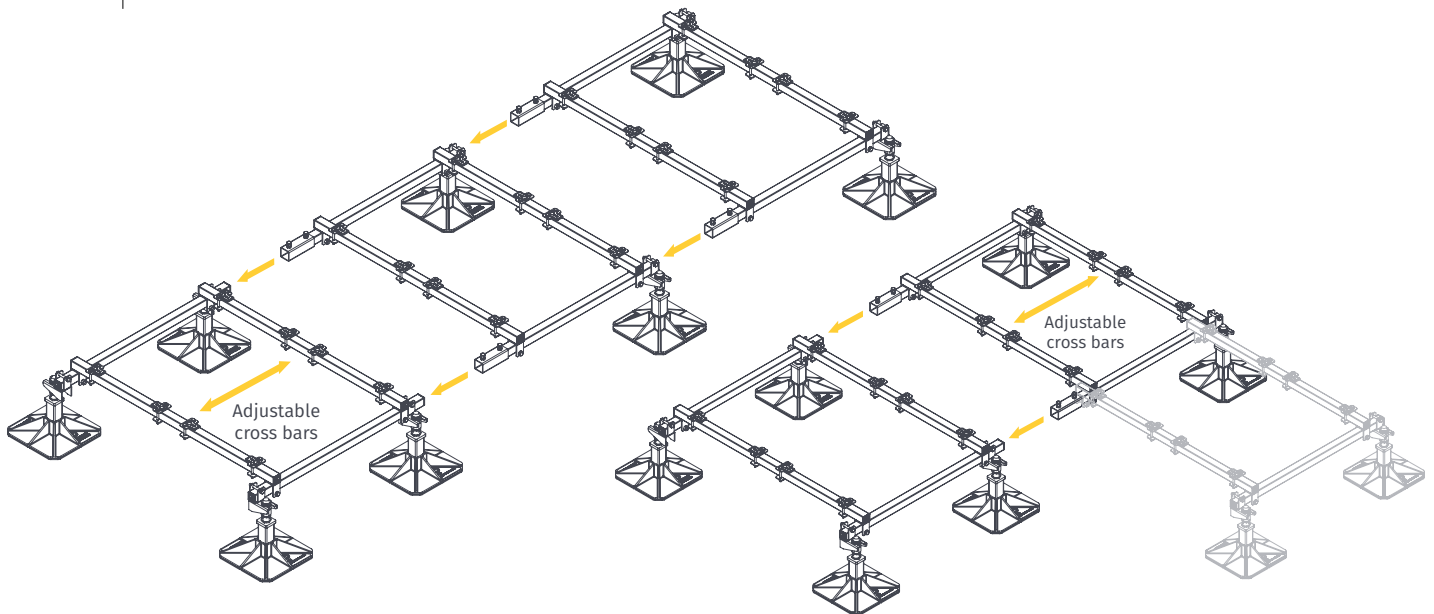
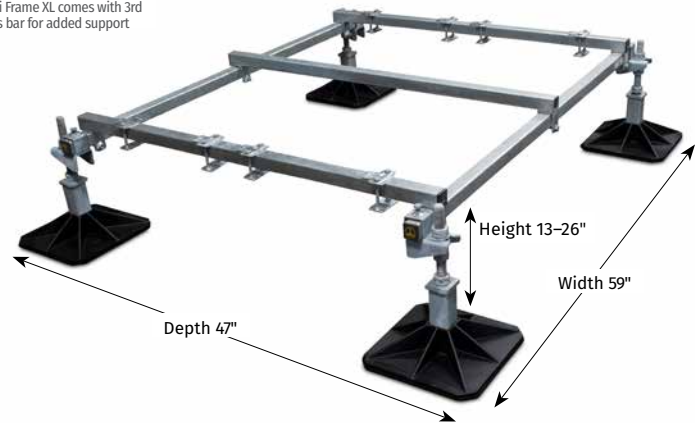
#### RECOMMENDED FOR

- Compressor • Condensers • VRV/VRFs
- Small AHUs • Unitary fans • Rooftops



#### Multi Frame XL

Multi Frame XL comes with 3rd cross bar for added support



Multi Frame + 2 Extension kits

Multi Frame + 2 Extension kits (alternative layout)



## BIG FOOT® INSTALLATION SOLUTIONS



### H-Frame

Accepts standard 1 5/8" strut, optimum support

Code	Description	Qty
87714 (RSPD18)	H-Frame Kit w/ 18" Square	1
87716 (B6088/B)	<b>NEW!</b> H-Frame Kit w/ 13" Square	1

each kit contains 2 feet

#### FEATURES

- Ideal rooftop support of ancillary equipment including ducts, pipes and cable trays
- Weather resistant
- Recycled crumb rubber pad
- Accepts one strut (not included)
- Build custom pipe and duct supports
- All H-Frame Kits accept box section
- Optional angled mat accessory for use on uneven ground
- Strut fittings & blts included

#### 87714

H = 4 1/4"  
W = 19"  
L = 19"

Max load capacity:  
RSPD18 – 1100 lbs.



#### **NEW!** 50% Higher Coefficient of Friction

#### 87716

H = 3 1/8"  
W = 13"  
L = 13"

Max load capacity:  
B6088/B – 660 lbs.



#### SET INCLUDES

- 2 - **NEW** 13" x 13" foot with adhered mat
- 4 - Brackets & fixings
- 1 - Assembly instructions

#### ACCEPTS

- 1 3/16 x 1 5/8", 1 9/16 x 1 1/2", 1 5/8 x 1 5/8" strut
- 1 9/16 x 1 9/16" box section steel



## BIG FOOT® INSTALLATION SOLUTIONS

### Fix-It-Foot

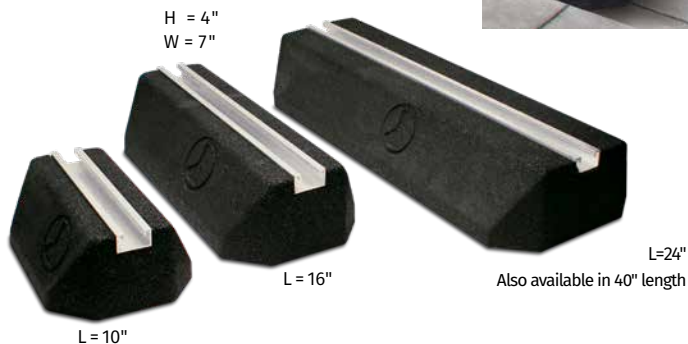
Additional vibration isolation and stability

Code	Description	Qty
87771 (RMB10)	Fix-It-Foot 10"	1
87773 (RMB16)	Fix-It-Foot 16"	1
87775 (RMB24)	Fix-It-Foot 24"	1
87776 (RMB40)	Fix-It-Foot 40"	1

#### FEATURES

- Ideal for rooftop support of equipment & systems
- Weather resistant
- Recycled crumb rubber pad
- Recessed underside permits solid stance
- Aluminum track permits the use of standard strut hardware (not included)

Max load capacity: RMB10-181 lbs. RMB16-282 lbs.  
RMB24-494 lbs. RMB40-650 lbs



### Fix-It-Foot Low

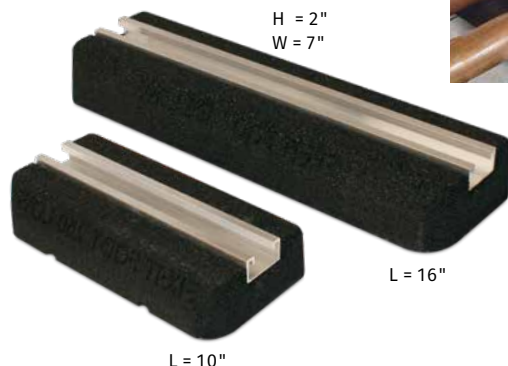
Low profile rubber riser

Code	Description	Qty
87772 (RMB10L)	Fix-It-Foot Low 10"	1
87774 (RMB16L)	Fix-It-Foot Low 16"	1

#### FEATURES

- Ideal for rooftop support of equipment & systems
- Weather resistant
- Recycled crumb rubber pad
- Recessed underside permits stability
- Aluminum track permits the use of standard strut hardware (not included)

Max load capacity: RMB10L - 181 lbs RMB16L - 282 lbs



### Polymer Risers

Simple lightweight raised mounting support

Code	Description	Qty
87761 (PR-351N-I)	14" Polymer Riser	20
87762 (PR-351N-M)	18" Polymer Riser	20
87763 (PR-351N-L)	39" Polymer Riser	4
87765 (PRC-351N)	End Caps	1 Pair

#### FEATURES

- Ideal for piping, duct runs, cable trays and condensers
- Weather resistant PVC
- Linear track holds 3/8" hex head bolts
- Two 7/8" long bolts included

Max load capacity: PR-351N-I - 308 lbs.  
PR-351N-M - 397 lbs. PR-351N-L - 880 lbs



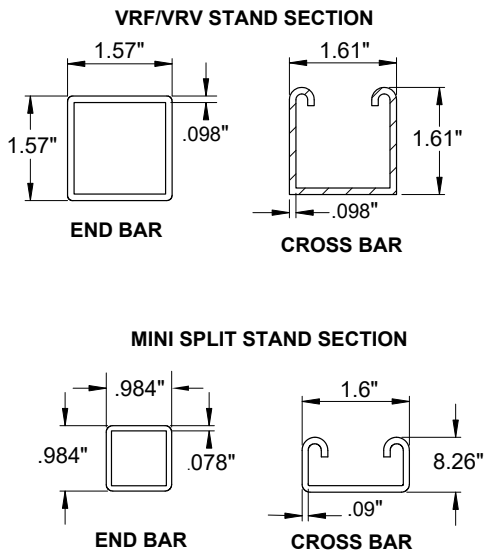




## BIG FOOT® FAST FIX STAND RANGE

Simple, strong and sturdy ground mount support system.

### Mini-split & VRF/VRV condenser stands



The **Fast Fix Stand Range** is a versatile ground mount support system split into two ranges, mini-splits and VRF/VRV condensing units. Available in a variety of sizes, with optional Extender Kits for both height and length, the Stand Range is designed to support units both individually and in multiples.

With adjustability of cross bar positions, anti-vibration mounts for mini-splits and clamp kits for the VRF/VRV units, these frames can support a wide variety of units, are cost-effective and quick to assemble.

- Rugged ASTM-A36 galvanized steel corrosion resistant support
- Tested to ASTM (Salt Mist) B117 and G85 (Acetic Salt Mist) standards
- More corrosion resistant than competitor stands
- Pre-boxed – quick assembly
- Base extensions allow unlimited mounting possibilities
- Compatible with all leading mini-split condensing units

Available in a variety of sizes with extender kits.





## BIG FOOT® FAST FIX STAND RANGE

Ground / Flat Surface Mounting

### Fast Fix Stands

Code	Description	Load lbs.	Wt. lbs.	Qty
87686	B5550 12" Mini-split stand kit	385	44	1
87630	B5551 18" Mini-split stand kit	385	49	1
87632	B5555 Riser – 4 pk.	-	3	1
87631	B5554 Extender (for use w/87630 ONLY)	385	42	1
87633	B5562 Riser – 2 pk.	-	2	1

#### STAND RISER

Adds additional 6" height



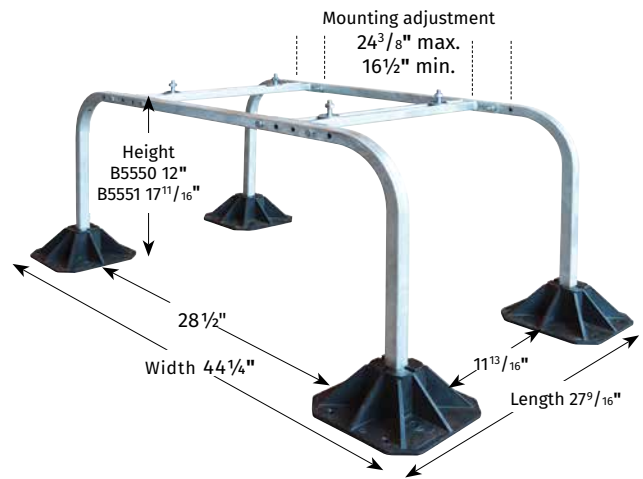
#### STAND EXTENDER



### Mini-Split Stand Kits, Risers, and Extender

#### B5550 and B5551 SYSTEM COMPONENTS

(4) 8 in (200mm) Footings. (2) End Bar. (2) Cross Bar.  
(4) Unit Clamp/Fixing Kit.



### Fast Fix Stands

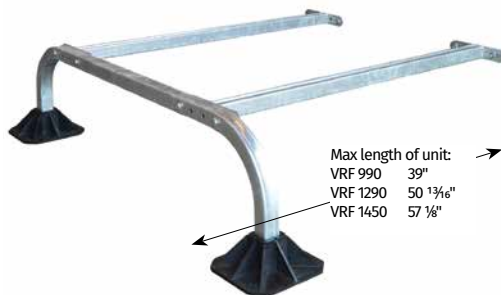
### VRF/VRV Stand Range - 6 SKUs cover all VRF/VRV units

Code	Description	Load lbs.	Wt. lbs.	Qty
87634	B5556 VRF 990 stand kit	1,323	77	1
87636	B5557 VRF 1290 stand kit	1,102	84	1
87638	B5558 VRF 1450 stand kit	882	90	1
87653	B5655 VRF 18" riser kit	--	15.4	1
87654	B5656 VRF 24" riser kit	--	19.4	1
87635	B5559 VRF 990E extender	1,323	55	1
87637	B5560 VRF 1290E extender	1,102	62	1
87639	B5561 VRF 1450E extender	882	68	1
87655	B5657 VRF 18" riser extender	--	10.4	1

#### 990/1290/450 SYSTEM COMPONENTS

(4) 8 in.(200mm) Footings. (2) End Bar. (2) Cross Bar  
(4) Unit Clamp/Fixing Kit.

#### VRF/VRV STAND EXTENDER





## BIG FOOT® ACCESSORIES

### Fleece Pads

#### Big Foot Fleece Pad

Code	Description	Qty
87650	B9156 12" Small Foot Fleece	1
87651	B9157 18" Large Foot Fleece	1

Isolates the frame from roof material to prevent bonding through polymer migration



## UNIVERSAL BRACKETS

### Wall Bracket

Sliding cross bar provides exceptional width range

Code	Description	Qty
87733 (WBB300)	Wall Bracket – powdercoat	1
87734 (WBB300SS)	Wall Bracket – stainless steel	1
87735 (WBB500)	Wall Bracket – powdercoat	1

#### FEATURES

- Strong secure support
- Stainless steel or powdercoat finish
- Includes level for convenience

Max load capacity:

WBB300 – 300 lbs.

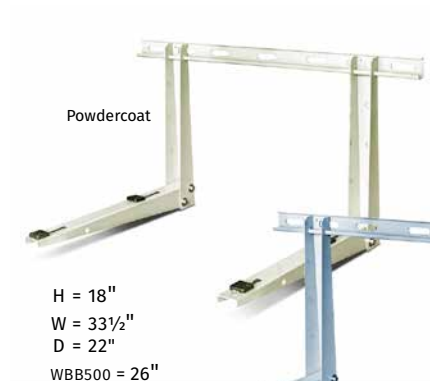
WBB300SS – 300 lbs. WBB500 – 500 lbs.

Min/Max mounting width:

4½"-31" 87733 & 87734; 3"-31" 87734

Min/Max mounting depth:

10½"-16" 87733 & 87734; 10¾" – 19 ½" 87734



Stainless steel

### Wall Bracket

Extra integral cross bracing provides ultimate stability

Code	Description	Qty
87732 (PCK30)	Wall Bracket	1

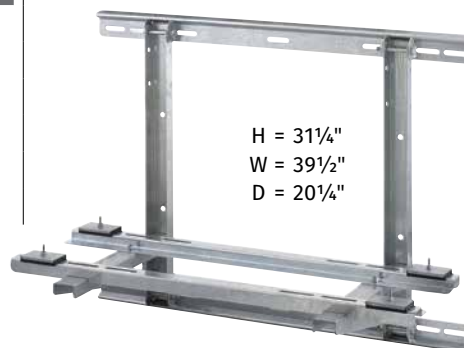
#### FEATURES

- Extra stability
- Galvanized finish

Max load capacity: 330 lbs.

Min/Max mounting width: 15¾" – 35¼"

Min/Max mounting depth: 9¾" – 15"





## UNIVERSAL BRACKETS

### Wall Bracket

Hurricane rated wind resistant support

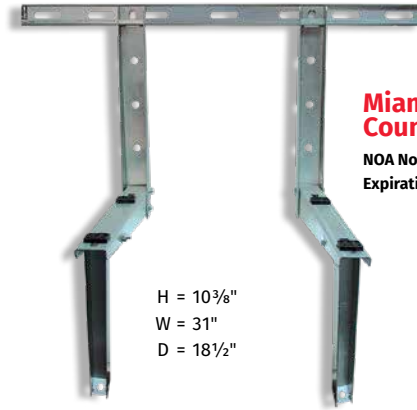
Code	Description	Qty
87740 (WB-B500HR)	Wall Bracket	1

**FEATURES**

- Ultimate stability
- Galvanized finish
- **STATE OF FLORIDA APPROVED – FL18362**

Max load capacity: 500 lbs.

Min/Max mounting width: 9<sup>3</sup>/<sub>4</sub>" – 31"  
 Min/Max mounting depth: 10<sup>1</sup>/<sub>2</sub>" – 16"  
 Mounting material included



**Miami-Dade  
County, Florida**

NOA No. 21-1012.03  
 Expiration date 10/6/26

H = 10<sup>3</sup>/<sub>8</sub>"  
 W = 31"  
 D = 18<sup>1</sup>/<sub>2</sub>"

### Wall Bracket

Ideal for in window mounted A/C support

Code	Description	Qty
87731 (CBZG)	Under Window Bracket	1

**FEATURES**

- Strong secure support • Galvanized finish

Min/Max mounting width: 11<sup>3</sup>/<sub>4</sub>" – 27<sup>1</sup>/<sub>2</sub>"  
 Min/Max mounting depth: 6<sup>1</sup>/<sub>4</sub>" – 13"  
 Max load capacity: 176 lbs.



H = 11<sup>1</sup>/<sub>4</sub>"  
 W = 29<sup>1</sup>/<sub>2</sub>"  
 D = 16<sup>3</sup>/<sub>4</sub>"





## INABA DENKO STANDS

### Slab Stand

Raises equipment up above flat surface

Code	Description	Qty
87743 (CNG)	Slab Stand - powdercoat	1
87746 (PCNG63)	Slab Stand - galvanized	1

#### FEATURES

- Anti-slip rubber feet
  - Galvanized or powdercoat finish
- Min/Max mounting width:  
87743 - 11<sup>3</sup>/<sub>4</sub>" - 27<sup>1</sup>/<sub>2</sub>" 87746 - 15<sup>3</sup>/<sub>4</sub>" - 39<sup>49</sup>/<sub>64</sub>"
- Min/Max mounting depth:  
87743 - 6<sup>1</sup>/<sub>4</sub>" - 13<sup>1</sup>/<sub>4</sub>" 87746 - 11<sup>13</sup>/<sub>16</sub>" - 17"
- Max weight capacity:  
87743 - 176 lbs. 87746 - 440 lbs.

Individually adjustable legs for uneven surfaces



### Slope Stand

Provides level mounting surface on sloped roofs

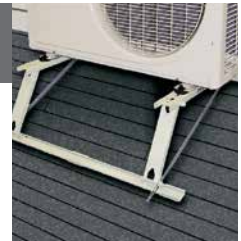
Code	Description	Qty
87745 (WRB250)	Wall Bracket	1

#### FEATURES

- Levels slopes up to 45° or 12" pitch
  - Powdercoat finish
- Min/Max mounting width: 6" - 35"
- Min/Max mounting depth: 10" - 19"
- Max load capacity: 250 lbs.



Includes level



### Duplex Stand

Securely mounts two condenser units

Code	Description	Qty
87744 (CWGL)	Duplex Stand	1

#### FEATURES

- Sturdy support
  - Powdercoat finish
  - Anti-slip rubber feet
- Min/Max mounting width: CWGL - 15<sup>3</sup>/<sub>4</sub>" - 31<sup>1</sup>/<sub>2</sub>"
- Min/Max mounting depth: CWGL - 7<sup>7</sup>/<sub>8</sub>" - 15"
- Max load capacity: CWGL - 176 x 2 lbs.



87744  
H = 36<sup>1</sup>/<sub>4</sub>"  
W = 17"  
D = 36"





A CSW Industrials Company

## HVAC DIVISION

RectorSeal provides industry-leading digital and print support materials for its extensive chemical and mechanical solutions that include:

- Technical Product Information
- Marketing Support Materials
- Engaging Product Demonstration Videos
- Informative SDS and Product Data Sheets
- On-demand and Live Training and Webinars
- Learning Management System (LMS) support via RectorSeal Academy
- Informative Distributor and Sales Representative Tools
- Industry-related Tradeshow and Events Information


For complete details, visit [www.rectorseal.com](http://www.rectorseal.com)

For the latest product enhancements, news, and updated information, please follow RectorSeal's social media channels.

 [facebook.com/rectorseal](https://facebook.com/rectorseal)

 [linkedin.com/company/rectorseal](https://linkedin.com/company/rectorseal)

 [twitter.com/rectorseal](https://twitter.com/rectorseal)

 [instagram/rectorseal](https://instagram/rectorseal)

 [youtube.com/rectorsealcorp](https://youtube.com/rectorsealcorp)

All information is believed to be current at the time of printing, but our policy is one of continuous development. RectorSeal makes no warranties, express or implied, as to its accuracy. RectorSeal reserves the right to discontinue, update or change the information at any time without notice or without incurring obligations.

**RectorSeal**® • 2601 Spenwick Drive, Houston, TX 77055, USA • 713-263-8001 • [rectorseal.com](http://rectorseal.com)

RectorSeal®, the logos and other trademarks are property of RectorSeal, LLC, its affiliates or its licensors and are protected by copyright, trademark and other intellectual property laws, and may not be used without permission. RectorSeal reserves the right to change specifications without prior notice. ©2022 RectorSeal. All rights reserved. R50803 10/22