



## LARGE DIAMETER BUTTERFLY VALVES

### LD7000 SERIES LD3000 SERIES

*NIBCO® Ductile Iron Large Diameter Butterfly Valves are for use in commercial mechanical construction and general utility service. These large diameter butterfly valves provide bi-directional and dead-end isolation in commercial and industrial service applications.*

#### BUTTERFLY VALVES

#### APPLICATIONS

- HVAC (condenser, chilled water, and hot water heating)
- Compressed Air (NBR liner)
- Vacuum Service
- End-of-line Service (dead-end)

#### MATERIALS & CONSTRUCTION

- Ductile Iron Body
- Molded-In Seat Liner
- Extended Neck
- Double Flanged U-Section
- Epoxy Coated
- One-piece High Strength Stainless Steel Stem

#### DESIGN CRITERIA

- LD3000 250 psi Non-shock CWP
- LD7000 232 psi Non-shock CWP



**LD3000 SERIES**  
14"-24"

**LD7000 SERIES**  
14"-60"

# 232 psi (16 Bar) Ductile Iron Butterfly Valves

Install between Standard ASME Class 125/150 Flanges • Molded-in Seat Liner •  
Double Flanged U Section • Epoxy Coated • 16 Bar Bi-directional Dead-end without Downstream Flange

**Size: 14" to 24"**

**232 psi (16 Bar) EPDM Seat for 32°F to 212°F (0°C to 100°C)**

**232 psi (16 Bar) NBR Seat from 32°F to 180°F (0°C to 82°C)**

**LD7000 Series  
14" - 24"**

FACE-TO-FACE TO MSS SP-67 (W-2) •  
ASME B16.10 (WIDE)

## MATERIAL LIST

PART	SPECIFICATION
1. End Cap Cover	Ductile Iron ASTM A536 65-45-12
2. Screw (2)	Steel
3. O-ring	NBR ASTM D2000
4. Bushing Short (2)	Bronze ASTM B584 C83600
5. O-ring	NBR ASTM D2000
6. Stem	Stainless Steel ASTM A276 S42000 Stainless Steel ASTM A564 S63000
7. Disc	Ductile Iron A536 65-45-12 Nylon 11 Coated Stainless Steel A351 CF8M Aluminum Bronze A148 C95400 OR C95500
8. Taper Pin (2)	Stainless Steel ASTM A276 S42000 Stainless Steel ASTM A564 S63000
9. Seat	EPDM ASTM D2000 NBR ASTM D2000
10. Bushing Long (2)	Bronze ASTM B584 C83600
11. Body	Ductile Iron ASTM A536 65-45-12
12. Stud (2)	Steel
13. Nut (2)	Steel
14. Packing Ring	Bronze ASTM B584 C83600
15. V-Cup Packing (2)	NBR ASTM D2000
16. Upper Packing	NBR ASTM D2000
17. Packing Gland	Ductile Iron ASTM A536 65-45-12
18. Key	Steel



NOT RECOMMENDED  
FOR STEAM SERVICE

## PRESSURE TESTING

**Shell 24 Bar**  
**Seat 17.6 Bar**

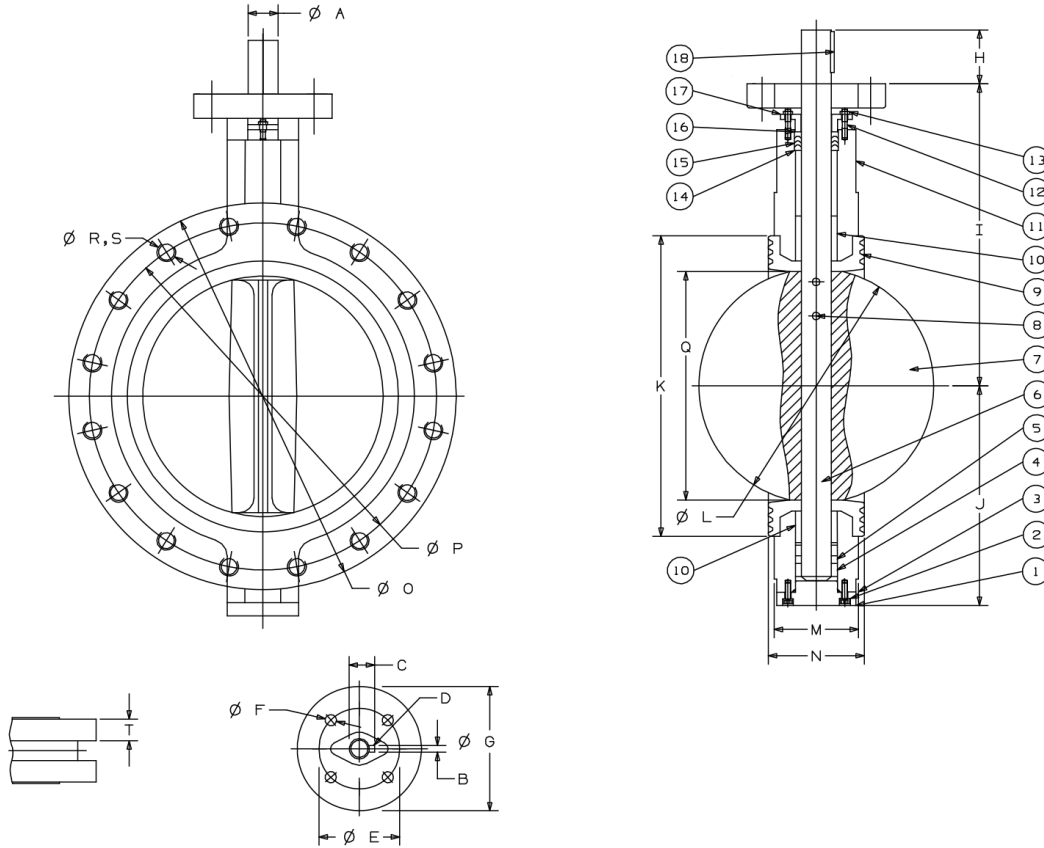
## MATERIAL BY FIGURE NUMBER

FIGURE NUMBER	SEAT	DISC	STEM	TAPER PIN
LD7000	EPDM	Aluminum Bronze	420 SST	420 SST
LD7100	NBR	Aluminum Bronze	420 SST	420 SST
LD7022	EPDM	CF8M SST	17-4 PH SST	17-4 PH SST
LD7122	NBR	CF8M SST	17-4 PH SST	17-4 PH SST
LD7080	EPDM	Ductile Iron with Nylon	420 SST	420 SST
LD7180	NBR	Ductile Iron with Nylon	420 SST	420 SST

Visit our website for the most current information.

# 232 psi (16 Bar) Ductile Iron Butterfly Valves (continued)

Size: 14" to 24"



## DIMENSIONS - WEIGHTS

VALVE SIZE	ØA		B		C		D (KEY)		ØE		ØF		G		H		I		J		ØK		
inch	mm	inch	mm	inch	mm	inch	mm	inch	mm	inch	mm	inch	mm	inch	mm	inch	mm	inch	mm	inch	mm	inch	mm
14"	350	1.687	42.86	0.472	12	1.81	45.86	.487 X .315 X 1.61	12 X 8 X 40	4.02	102	0.47	12	5.51	140	1.81	46	15.67	398	11.30	287	16.50	419
16"	400	1.993	50.62	0.630	16	2.15	54.62	.630 X .394 X 2.75	16 X 10 X 70	5.51	140	0.71	18	7.76	197	2.99	76	16.97	431	13.74	349	18.90	480
18"	450	2.125	53.98	0.630	16	2.28	57.98	.630 X .394 X 2.75	16 X 10 X 70	5.51	140	0.71	18	7.76	197	2.99	76	17.83	453	14.45	367	20.67	525
20"	500	2.494	63.35	0.709	18	2.65	67.35	.709 X .433 X 3.15	18 X 11 X 80	5.51	140	0.71	18	7.76	197	3.39	86	18.90	480	15.91	404	22.05	560
24"	600	2.756	70.00	0.787	20	2.93	74.50	.784 X .472 X 3.15	20 X 12 X 80	10.00	254	0.71	18	11.81	300	3.39	86	22.13	562	18.15	461	26.57	675

VALVE SIZE	L		M		N		O		P		Q		R QTY	S THREADS	T		GEAR MOUNT	WEIGHT		
inch	mm	inch	mm	inch	mm	inch	mm	inch	mm	inch	mm	inch	mm	inch	mm		lbs	kg		
14"	350	13.15	334.0	3.62	92	3.94	100	21.00	533	18.75	476.3	12.87	327	24	1"-8 UNC	1.18	30	F10	220 lbs	100 Kg
16"	400	15.36	390.1	4.02	102	4.33	110	23.50	597	21.25	539.8	15.08	383	32	1"-8 UNC	1.26	32	F14	288 lbs	131 Kg
18"	450	17.37	441.1	4.49	114	4.80	122	25.00	635	22.75	577.9	17.01	432	32	1 1/8" - 7 UNC	1.38	35	F14	354 lbs	161 Kg
20"	500	19.37	492.1	5.00	127	5.31	135	27.50	699	25.00	635.0	18.98	482	40	1 1/8" - 7 UNC	1.57	40	F14	471 lbs	214 Kg
24"	600	23.34	592.8	6.06	154	6.38	162	32.00	813	29.50	749.3	23.03	585	40	1 1/4" - 7 UNC	1.77	45	F25	653 lbs	297 Kg

Note: Not recommended for steam service.

Visit our website for the most current information.

# 232 psi (16 Bar) Ductile Iron Butterfly Valves

Doubled Flange U-Section • Install between Standard ASME Class 125/150 Flanges •  
Molded-in Seat Liner • Epoxy Coated • 16 Bar Bi-directional Dead-end without Downstream Flange

**Size 30" to 48"**

**232 psi (16 Bar) EPDM Seat from 32°F to 212°F (0°C to 100°C)**

**232 psi (16 Bar) NBR Seat from 32°F to 180°F (0°C to 82°C)**

**LD7000 Series  
30" - 48"**

FACE TO FACE TO MSS SP-67(W-2)

## MATERIAL LIST

PART	SPECIFICATION
1. Screw	Steel
2. Nut	Steel
3. Washer	Steel
4. Screw (4)	Steel
5. Washer (4)	Spring Steel
6. End Cap Cover	Ductile Iron A536 65-45-12
7. O-ring	NBR ASTM D2000
8. O-ring	NBR ASTM D2000
9. Roll Pin	Steel
10. Spacer (2)	Steel
11. Thrust Bearing	Steel
12. Bushing Short (4)	Bronze ASTM B584 C83600
13. O-ring (2)	NBR ASTM D2000
14. Stem Lower	Stainless Steel ASTM A276 S42000 Stainless Steel ASTM A564 S63000
15. Bushing Middle	Bronze ASTM B584 C83600
16. Taper Pin (3)	Stainless Steel ASTM A276 S42000 Stainless Steel ASTM A564 S63000
17. Stem Upper	Stainless Steel ASTM A276 S42000 Stainless Steel ASTM A564 S63000
18. Disc	DI ASTM A536 Nylon Coated Stainless Steel A351 CF8M Aluminum Bronze A148 C95400 OR C95500
19. Seat	EPDM ASTM D2000 (LD7080) NBR ASTM D2000 (LD7180)
20. Bushing Long	Bronze ASTM B584 C83600
21. Body	Ductile Iron A536 65-45-12
22. I.D. Plate	Aluminum
23. Rivet (2)	Aluminum
24. Key (2)	Steel
25. Screw (8)	Steel
26. Washer (8)	Spring Steel
27. Nut (8)	Steel
28. Top Connection Spt	Ductile Iron A536 65-45-12
29. Packing Ring	Bronze ASTM B584 C83600
30. V-cup Packing (4)	NBR ASTM D2000
31. Upper Packing	NBR ASTM D2000
32. Packing Gland	Ductile Iron A536 65-45-12
33. Stud (2)	Steel
34. Nut (2)	Steel



NOT RECOMMENDED  
FOR STEAM SERVICE

## PRESSURE TESTING

Shell 24 Bar

Seat 17.6 Bar

## MATERIAL BY FIGURE NUMBER

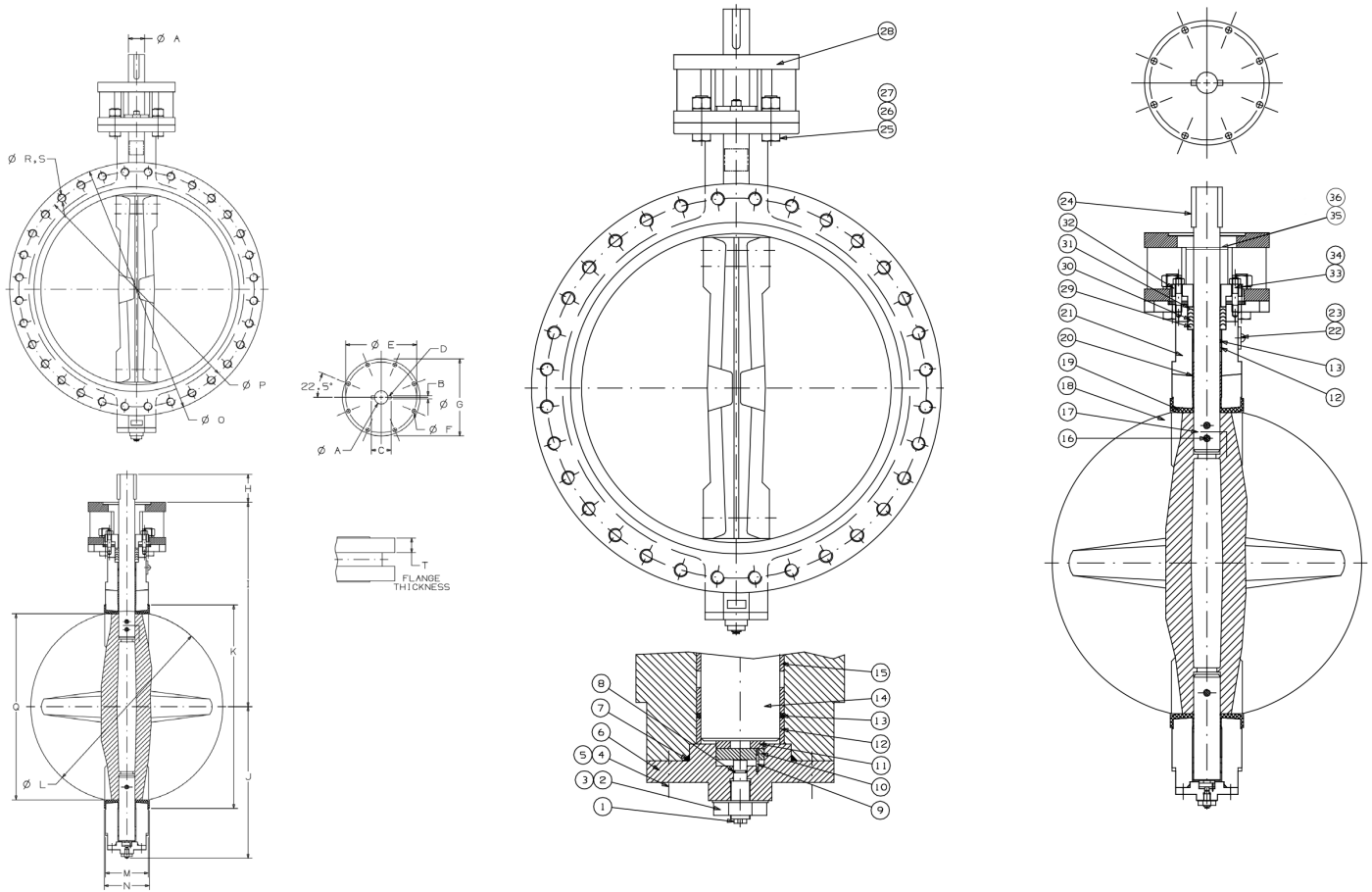
FIGURE NUMBER	SEAT	DISC	STEM	TAPER PIN
LD7000	EPDM	Aluminum Bronze	420 SST	420 SST
LD7100	NBR	Aluminum Bronze	420 SST	420 SST
LD7022	EPDM	CF8M SST	17-4 PH SST	17-4 PH SST
LD7122	NBR	CF8M SST	17-4 PH SST	17-4 PH SST
LD7080	EPDM	Ductile Iron with Nylon	420 SST	420 SST
LD7180	NBR	Ductile Iron with Nylon	420 SST	420 SST

Note: Not recommended for steam service.

Visit our website for the most current information.

# 232 psi (16 Bar) Ductile Iron Butterfly Valves (continued)

Size 30" to 48"



## DIMENSIONS - WEIGHTS

VALVE SIZE	ΦA		B		C		D (2 KEYS)		ΦE		ΦF		ΦG		H		I		J		K		
inch	mm	inch	mm	inch	mm	inch	mm	inch	mm	inch	mm	inch	mm	inch	mm	inch	mm	inch	mm	inch	mm		
30"	750	2.953	75	0.787	20	3.31	84	.787 X .472 X 2.50	20 X 12 X 63	11.73	298	0.87	22	13.78	350	2.60	66	33.31	846	24.33	618	32.28	820
36"	900	3.543	90	0.984	25	3.94	100	.984 X .551 X 4.00	25 X 14 X 100	11.73	298	0.87	22	13.78	350	4.65	118	35.67	906	29.25	743	38.27	972
42"	1050	4.134	105	1.102	28	4.61	117	1.102 X .630 X 5.50	28 X 16 X 140	14.02	356	1.30	33	16.34	415	5.91	150	41.10	1044	34.02	864	46.46	1180
48"	1200	4.724	120	1.260	32	5.28	134	1.260 X .709 X 5.50	32 X 18 X 140	14.02	356	1.30	33	16.34	415	5.91	150	44.37	1127	37.44	951	53.07	1348

VALVE SIZE	ΦL		M		N		O		P		Q		R QTY	S THREADS	T		GEAR MOUNT	WEIGHT		
inch	mm	inch	mm	inch	mm	inch	mm	inch	mm	inch	mm	inch	mm	inch	mm		lbs	kg		
30"	750	29.33	745	6.57	167	7.09	180	38.74	984	36.00	914.4	29.09	739	56	1 1/4" - 7 UNC	2.13	54	F30	1109	504
36"	900	34.06	865	7.99	203	8.31	211	45.98	1168	42.75	1085.9	33.62	854	64	1 1/2" - 6 UNC	2.40	61	F30	1762	801
42"	1050	40.59	1031	9.88	251	10.28	261	52.99	1346	49.50	1257.3	39.88	1013	72	1 1/2" - 6 UNC	2.60	66	F35	2746	1248
48"	1200	45.67	1160	10.87	276	11.26	286	59.49	1511	56.00	1422.4	44.84	1139	88	1 1/2" - 6 UNC	2.76	70	F35	3498	1590

Visit our website for the most current information.

# 232 psi (16 Bar) Ductile Iron Butterfly Valves

Double Flanged U-Section • Install between Standard ASME Class 125/150 Flanges • Replaceable Seat (Single Offset) • Epoxy Coated • 16 Bar Dead-end without Downstream Flange in One Direction

**Size: 52", 54" and 60"**

**232 psi (16 Bar) EPDM Seat from 32°F to 212°F (0°C to 100°C)**

**232 psi (16 Bar) NBR Seat from 32°F to 180°F (0°C to 82°C)**

FACE-TO-FACE TO AWWA C504 (SHORT BODY)

## MATERIAL LIST

PART	SPECIFICATION
1. Retaining Seal Cover	Steel
2. Adjusting Screw	Stainless Steel
3. Nut	Steel
4. Screw (4)	Steel
5. O-ring	NBR ASTM D2000
6. Screw (4)	Stainless Steel
7. Washer (4)	Spring Steel
8. End Cap Cover	Ductile Iron ASTM A536 65-45-12
9. O-ring	NBR ASTM D2000
10. O-ring	NBR ASTM D2000
11. Stop Shim	
12. Spacer Collar	Stainless Steel ASTM A276 42000
13. Bushing	Bronze ASTM B584 C83600
14. Seat	EPDM ASTM D2000 NBR ASTM D2000
15. Seat Retainer	Ductile Iron ASTM A536 65-45-12
16. Retaining Screw (40)	Stainless Steel
17. Stop Set Screw (20)	Stainless Steel
18. Lock Washer(40)	Stainless Steel
19. Lower Stem	Stainless Steel ASTM A276 42000 Stainless Steel ASTM A564 S63000 Ductile Iron ASTM A536 65-45-12
20. Disc	Nylon 11 Coated Stainless Steel A351 CF8M Aluminum Bronze A148 C95400 OR C95500
21. Taper Pin (3)	Stainless Steel ASTM A276 UNS S42000 Stainless Steel ASTM A564 S63000
22. Upper Stem	Stainless Steel ASTM A276 S42000 Stainless Steel ASTM A564 S63000
23. Body	Ductile Iron ASTM A536 65-45-12
24. Upper Bushing	Bronze ASTM B584 C83600
25. Packing Ring	Stainless Steel ASTM A276 S32100
26. V-cup Packing (5)	NBR ASTM D2000
27. Upper Packing	NBR ASTM D2000
28. Packing Gland	Ductile Iron ASTM A536 65-45-12
29. Stud (2)	Steel
30. Nut (2)	Steel
31. Screw (8)	Steel
32. Washer (8)	Spring Steel
33. Nut (8)	Steel
34. Top Connection Support	Ductile Iron ASTM A536 65-45-12
35. Screw (8)	Steel (for gear operator)

## MATERIAL LIST (CONTINUED)

PART	SPECIFICATION
36. Washer (8)	Spring Steel (for gear operator)
37. Key (2)	1045 Steel
38. Columanar Pin	1045 Steel
39. I.D. Plate Rivet (2)	Aluminum
40. I.D. Plate	Aluminum
41. Foundation Mount Support (2)	Steel
42. Bolt (4)	Steel
43. Washer (4)	Spring Steel
44. Nut (4)	Steel

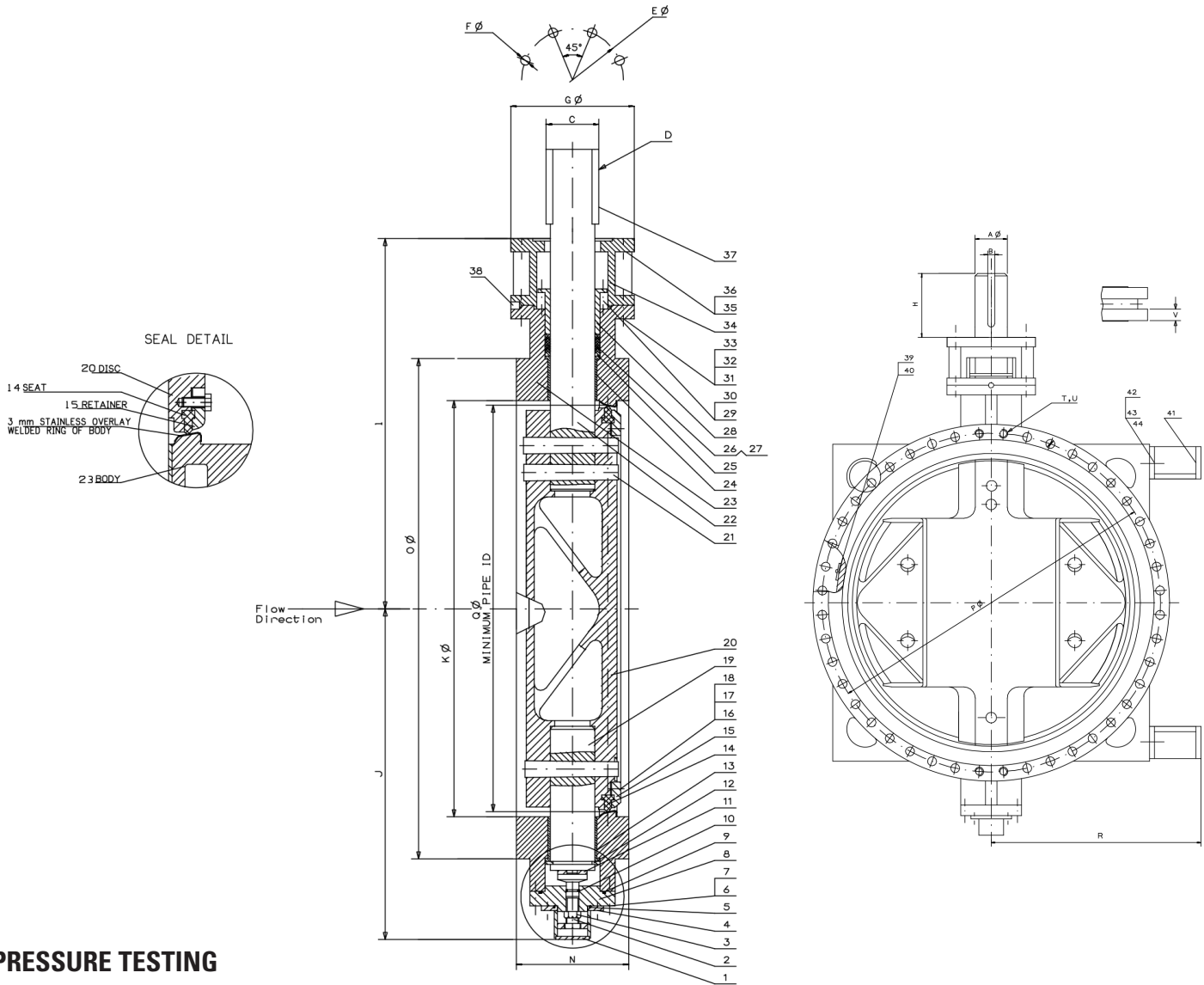
## MATERIAL BY FIGURE NUMBER

FIGURE NUMBER	SEAT	DISC	STEM	TAPER PIN
LD7000	EPDM	Aluminum Bronze	420 SST	420 SST
LD7100	NBR	Aluminum Bronze	420 SST	420 SST
LD7022	EPDM	CF8M SST	17-4 PH SST	17-4 PH SST
LD7122	NBR	CF8M SST	17-4 PH SST	17-4 PH SST
LD7080	EPDM	Ductile Iron with Nylon	420 SST	420 SST
LD7180	NBR	Ductile Iron with Nylon	420 SST	420 SST

Visit our website for the most current information.

# 232 psi (16 Bar) Ductile Iron Butterfly Valves (continued)

Size: 52", 54" and 60"



## PRESSURE TESTING

Shell	24 Bar
Seat	17.6 Bar

## DIMENSIONS - WEIGHTS

VALVE SIZE	ΦA		B		C		D (2 KEYS)		ΦE		ΦF		ΦG		H		I		J		ΦK		
inch	mm	inch	mm	inch	mm	inch	mm	inch	mm	inch	mm	inch	mm	inch	mm	inch	mm	inch	mm	inch	mm		
52"	1300	5.500	140	1.417	36	6.14	156	1.417 X .787 X 8.66	36 X 20 X 220	14.02	356	1.30	33	16.34	415	9.13	232	48.03	1220	42.91	1090	52.0	1321
54"	1350	5.750	146	1.417	36	6.38	162	1.417 X .787 X 8.66	36 X 20 X 220	14.02	356	1.30	33	16.34	415	9.13	232	49.02	1245	43.90	1115	54.0	1372
60"	1500	6.250	159	1.575	40	6.97	177	1.575 X .866 X 8.66	40 X 22 X 220	15.98	406	1.54	39	18.70	475	9.13	232	52.36	1330	47.64	1210	60.0	1524

VALVE SIZE	N		ΦO		ΦP		ΦQ		R		T QTY	S THREADS	V		GEAR MOUNT	WEIGHT		
inch	mm	inch	mm	inch	mm	inch	mm	inch	mm	inch	mm	inch	mm		lbs	kg		
52"	1300	15.00	381	64.02	1626	60.50	1537	48.62	1235	36.61	930	88	1 3/4" - 5 UNC	2.76	70	F35	5000 lbs	2272 kgs
54"	1350	15.00	381	66.26	1683	62.75	1594	50.67	1287	37.80	960	88	1 3/4" - 5 UNC	2.76	70	F35	5400 lbs	2455 kgs
60"	1500	15.00	381	72.99	1854	69.25	1759	54.92	1395	39.76	1010	104	1 3/4" - 5 UNC	2.76	70	F40	6800 lbs	3090 kgs

Visit our website for the most current information.

# 250 psi (17.2 Bar) Ductile Iron Butterfly Valve

Molded-in Seat Linear • Double Flange • Install between Standard ASME Class125/150 Flange • Adjustable Packing Chamber Allows for Stem Packing Adjustment without Actuator Removal • Epoxy Coated • 250 psi (17.2 Bar) Bi-directional Service • 16 Bar (232 psi) Bi-directional Dead-end Service without a Downstream Flange

**Size: 14" to 24"**

**250 psi (17.2 Bar) EPDM Seat From 0°C to 100°C (32°F to 212°F)**

**250 psi (17.2 Bar) NBR Seat From 0°C to 82°C (32°F to 180°F)**

FACE-TO-FACE TO MSS SP-67 (W-2) •  
ASME B16.10 (WIDE)

**LD3000 Series**  
**14" - 24"**

## MATERIAL LIST

PART	SPECIFICATION
1. End Cap Cover	Ductile Iron ASTM A536 65-45-12
2. Screw (2)	Steel
3. O-ring	NBR ASTM D2000
4. Bushing Short (2)	Bronze ASTM B584 C83600
5. O-ring	NBR ASTM D2000
6. Stem	Stainless Steel ASTM A276 S43100 Stainless Steel ASTM A564 S63000
7. Disc	Stainless Steel A351 CF8M Aluminum Bronze A148 C95400 OR C95500
8. Taper Pin (2)	Stainless Steel ASTM A276 S42000 Stainless Steel ASTM A564 S63000
9. Seat	EPDM ASTM D2000 NBR ASTM D2000
10. Bushing Long (2)	Bronze ASTM B584 C83600
11. Body	Ductile Iron ASTM A536 65-45-12
12. Stud (2)	Steel
13. Nut (2)	Steel
14. Packing Ring	Bronze ASTM B584 C83600
15. V-cup Packing (2)	NBR ASTM D2000
16. Upper Packing	NBR ASTM D2000
17. Packing Gland	Ductile Iron ASTM A536 65-45-12
18. Key	Steel



NOT RECOMMENDED  
FOR STEAM SERVICE

## PRESSURE TESTING

**Shell 30 Bar**

**Seat 22 Bar**

## MATERIAL BY FIGURE NUMBER

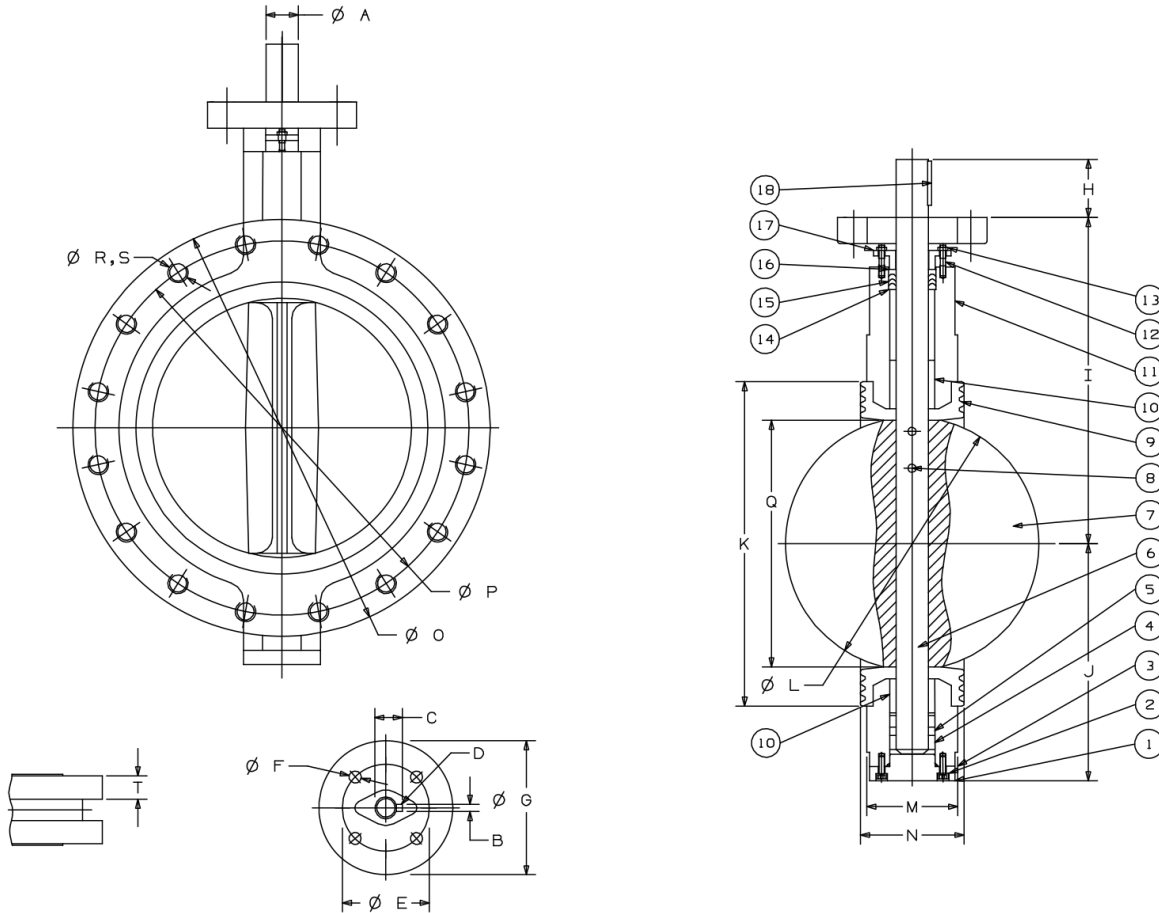
FIGURE NUMBER	SEAT	DISC	STEM	TAPER PIN
LD3000	EPDM	Aluminum Bronze	420 SST	420 SST
LD3100	NBR	Aluminum Bronze	420 SST	420 SST
LD3022	EPDM	CF8M SST	17-4 PH SST	17-4 PH SST
LD3122	NBR	CF8M SST	17-4 PH SST	17-4 PH SST

Visit our website for the most current information.



# 250 psi (17.2 Bar) Ductile Iron Butterfly Valve (continued)

Size: 14" to 24"



## DIMENSIONS - WEIGHTS

VALVE SIZE	ØA		B		C		D (KEY)		ØE		ØF		G		H		I		J		ØK		
inch	mm	inch	mm	inch	mm	inch	mm	inch	mm	inch	mm	inch	mm	inch	mm	inch	mm	inch	mm	inch	mm	inch	mm
14"	350	1.687	42.86	0.472	12	1.81	45.86	.487 X .315 X 1.61	12 X 8 X 40	4.02	102	0.47	12	5.51	140	1.81	46	15.67	398	11.30	287	16.50	419
16"	400	1.993	50.62	0.630	16	2.15	54.62	.630 X .394 X 2.75	16 X 10 X 70	5.51	140	0.71	18	7.76	197	2.99	76	16.97	431	13.74	349	18.90	480
18"	450	2.125	53.98	0.630	16	2.28	57.98	.630 X .394 X 2.75	16 X 10 X 70	5.51	140	0.71	18	7.76	197	2.99	76	17.83	453	14.45	367	20.67	525
20"	500	2.494	63.35	0.709	18	2.65	67.35	.709 X .433 X 3.15	18 X 11 X 80	5.51	140	0.71	18	7.76	197	3.39	86	18.90	480	15.91	404	22.05	560
24"	600	2.756	70.00	0.787	20	2.93	74.50	.784 X .472 X 3.15	20 X 12 X 80	10.00	254	0.71	18	11.81	300	3.39	86	22.13	562	18.15	461	26.57	675

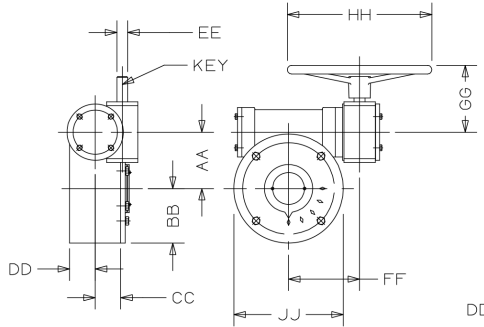
VALVE SIZE	L		M		N		O		P		Q		R QTY	S THREADS	T		GEAR MOUNT	WEIGHT		
inch	mm	inch	mm	inch	mm	inch	mm	inch	mm	inch	mm	inch	mm	inch	mm		lbs	kg		
14"	350	13.15	334.0	3.62	92	3.94	100	21.00	533	18.75	476.3	12.87	327	24	1"-8 UNC	1.18	30	F10	220 lbs	100 Kg
16"	400	15.36	390.1	4.02	102	4.33	110	23.50	597	21.25	539.8	15.08	383	32	1"-8 UNC	1.26	32	F14	288 lbs	131 Kg
18"	450	17.37	441.1	4.49	114	4.80	122	25.00	635	22.75	577.9	17.01	432	32	1 1/8" - 7 UNC	1.38	35	F14	354 lbs	161 Kg
20"	500	19.37	492.1	5.00	127	5.31	135	27.50	699	25.00	635.0	18.98	482	40	1 1/8" - 7 UNC	1.57	40	F14	471 lbs	214 Kg
24"	600	23.34	592.8	6.06	154	6.38	162	32.00	813	29.50	749.3	23.03	585	40	1 1/4" - 7 UNC	1.77	45	F25	653 lbs	297 Kg

Note: Not recommended for steam service.

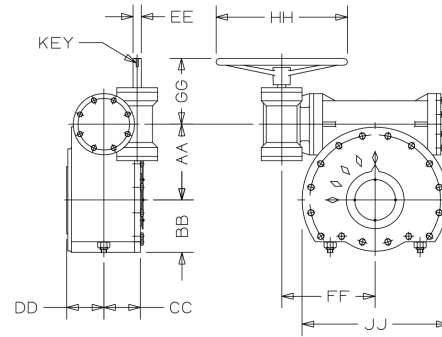
Visit our website for the most current information.

# LD7000/3000 Series Gear Operator Data

Size: 14" to 60"



**SIZES 14" - 30"**



**SIZES 36" - 60"**

## DIMENSIONS - WEIGHTS

VALVE SIZE		AA		BB		CC		DD		ΦEE		FF		GG		ΦHH		ΦJJ	
inch	mm	inch	mm	inch	mm	inch	mm	inch	mm	inch	mm	inch	mm	inch	mm	inch	mm	inch	mm
14"	350	4.92	125	3.94	100	1.97	50	2.17	55	0.94	24	10.63	270	5.70	145	19.68	500	9.84	250
16"	400																		
18"	450	4.92	125	4.92	125	2.36	60	2.36	60	0.94	24	4.13	105	10.44	255	11.81	300	9.84	250
20"	500																		
24"	600	9.84	250	5.91	150	3.15	80	3.15	80	0.94	24	5.51	140	4.41	112	19.68	500	11.81	300
30"	750	6.38	162	6.97	177	3.46	88	4.06	103	1.10	28	9.76	248	7.68	195	17.72	450	13.94	354
36"	900																		
42"	1050																		
48"	1200	13.58	345	9.76	248	5.91	150	5.79	147	1.42	36	16.30	414	9.37	238	19.69	500	28.50	724
54"	1350																		
60"	1500	13.58	345	9.76	248	5.91	150	5.79	147	1.42	36	16.30	414	9.37	238	19.69	500	28.50	724

VALVE SIZE		GEAR OP. RATIO	GEAR OP. MOUNTING SCREWS		GEAR OP. MOUNT SIZE	HAND WHEEL PIN/KEY SIZE		WEIGHT	
inch	mm		QTY	THDS				lbs.	kg.
14"	350	80:1	4	3/8" - 16	F10		Φ6X55	56 lbs	25 kg
16"	400								
18"	450	291:1	4	5/8" - 11	F14		Φ6X55	90 lbs	41 kg
20"	500								
24"	600	319:1	8	5/8" - 11	F25		Φ6X55	120 lbs	55 kg
30"	750	704:1	8	M20	F30		8X40	339 lbs	154 kg
36"	900								
42"	1050								
48"	1200	1200:1	8	M20	F35		8X40	924 lbs	420 kg
52"	1300								
54"	1350								
60"	1500	1200:1	8	M36	F40		8X40	924 lbs	420 kg

Visit our website for the most current information.

# Technical Data

Size: 14" to 60"

## CV VALUE FOR VALVES

inch	mm	10°	20°	30°	40°	50°	60°	70°	80°	90°
14	350	6	338	715	1,549	2,761	4,568	7,230	10,844	11,917
16	400	8	464	983	2,130	3,797	6,282	9,942	14,913	16,388
18	450	11	615	1,302	2,822	5,028	8,320	13,168	19,752	21,705
20	500	14	791	1,674	3,628	6,465	10,698	16,931	25,396	27,908
22	550	17	965	2,042	4,426	7,887	13,052	20,655	30,983	34,048
24	600	22	1,222	2,587	5,605	9,989	16,528	26,157	39,236	43,116
30	750	35	1,912	4,050	8,142	13,152	20,411	31,226	47,562	63,328
36	900	60	3,021	6,063	11,055	17,449	26,086	39,731	60,895	86,375
40	1,000	84	4,183	8,395	15,307	24,159	36,166	55,084	84,425	119,750
42	1,050	93	4,601	9,235	16,838	26,575	39,783	60,592	92,868	131,725
48	1,200	121	5,981	12,001	21,890	34,548	51,718	78,770	120,728	171,243
52	1,300	3,225	6,451	11,289	17,739	27,415	41,929	70,151	106,436	131,432
54	1,350	3,478	6,956	12,174	19,130	29,565	45,217	75,651	114,781	141,737
60	1,500	4,294	8,588	15,029	23,617	36,500	55,823	93,396	141,705	174,984

# Torque Data: Butterfly Valves

Size: 14" to 60"

232 PSI

Double Flanged U-Section Install between Std. ASME Class 125/150 Flanges

Molded-in Seat Liner Adjustable Packing Chamber

16 Bar Dead-end without Downstream Flange in One Direction

Face to Face Conforms to AWWA C504 (Short Body)

## LD7000/LD3000 TECHNICAL INFORMATION

(Include 5% to published torques when sizing for LD3000)

Nominal Size Inch (mm)	Operating Torque (N*M)	WORKING TORQUE (N*M)
14 (350)	1200	2000
16 (400)	1600	2500
18 (450)	2000	2500
20 (500)	3200	4000
24 (600)	5500	8000
30 (750)	9000	12000
36 (900)	14000	17500
42 (1050)	27000	50000
48 (1200)	33600	50000
52 (1300)	14000	17500
54 (1350)	21000	27000
60 (1500)	32000	50000

Visit our website for the most current information.

# NIBCO®

NIBCO INC.  
WORLD HEADQUARTERS  
WEB: [www.nibco.com](http://www.nibco.com)

1516 MIDDLEBURY STREET  
ELKHART, IN 46516-4740 USA

DOMESTIC CUSTOMER SERVICE  
PHONE: 800.234.0227  
FAX: 800.234.0557

TECHNICAL SERVICE  
PHONE: 888.446.4226  
FAX: 888.336.4226

INTERNATIONAL OFFICE  
PHONE: +1/574.295.3327  
FAX: +1/574.295.3455