

250 psi (17.2 Bar) Ductile Iron Butterfly Valve

Molded-in Seat Linear • Double Flange • Install between Standard ASME Class125/150 Flange • Adjustable Packing Chamber Allows for Stem Packing Adjustment without Actuator Removal • Epoxy Coated • 250 psi (17.2 Bar) Bi-directional Service • 16 Bar (232 psi) Bi-directional Dead-end Service without a Downstream Flange

Size: 14" to 24"

250 psi (17.2 Bar) EPDM Seat From 0°C to 100°C (32°F to 212°F)

250 psi (17.2 Bar) NBR Seat From 0°C to 82°C (32°F to 180°F)

FACE-TO-FACE TO MSS SP-67 (W-2) •
ASME B16.10 (WIDE)

LD3000 Series
14" - 24"

MATERIAL LIST

PART	SPECIFICATION
1. End Cap Cover	Ductile Iron ASTM A536 65-45-12
2. Screw (2)	Steel
3. O-ring	NBR ASTM D2000
4. Bushing Short (2)	Bronze ASTM B584 C83600
5. O-ring	NBR ASTM D2000
6. Stem	Stainless Steel ASTM A276 S43100 Stainless Steel ASTM A564 S63000
7. Disc	Stainless Steel A351 CF8M Aluminum Bronze A148 C95400 OR C95500
8. Taper Pin (2)	Stainless Steel ASTM A276 S42000 Stainless Steel ASTM A564 S63000
9. Seat	EPDM ASTM D2000 NBR ASTM D2000
10. Bushing Long (2)	Bronze ASTM B584 C83600
11. Body	Ductile Iron ASTM A536 65-45-12
12. Stud (2)	Steel
13. Nut (2)	Steel
14. Packing Ring	Bronze ASTM B584 C83600
15. V-cup Packing (2)	NBR ASTM D2000
16. Upper Packing	NBR ASTM D2000
17. Packing Gland	Ductile Iron ASTM A536 65-45-12
18. Key	Steel



NOT RECOMMENDED
FOR STEAM SERVICE

PRESSURE TESTING

Shell 30 Bar

Seat 22 Bar

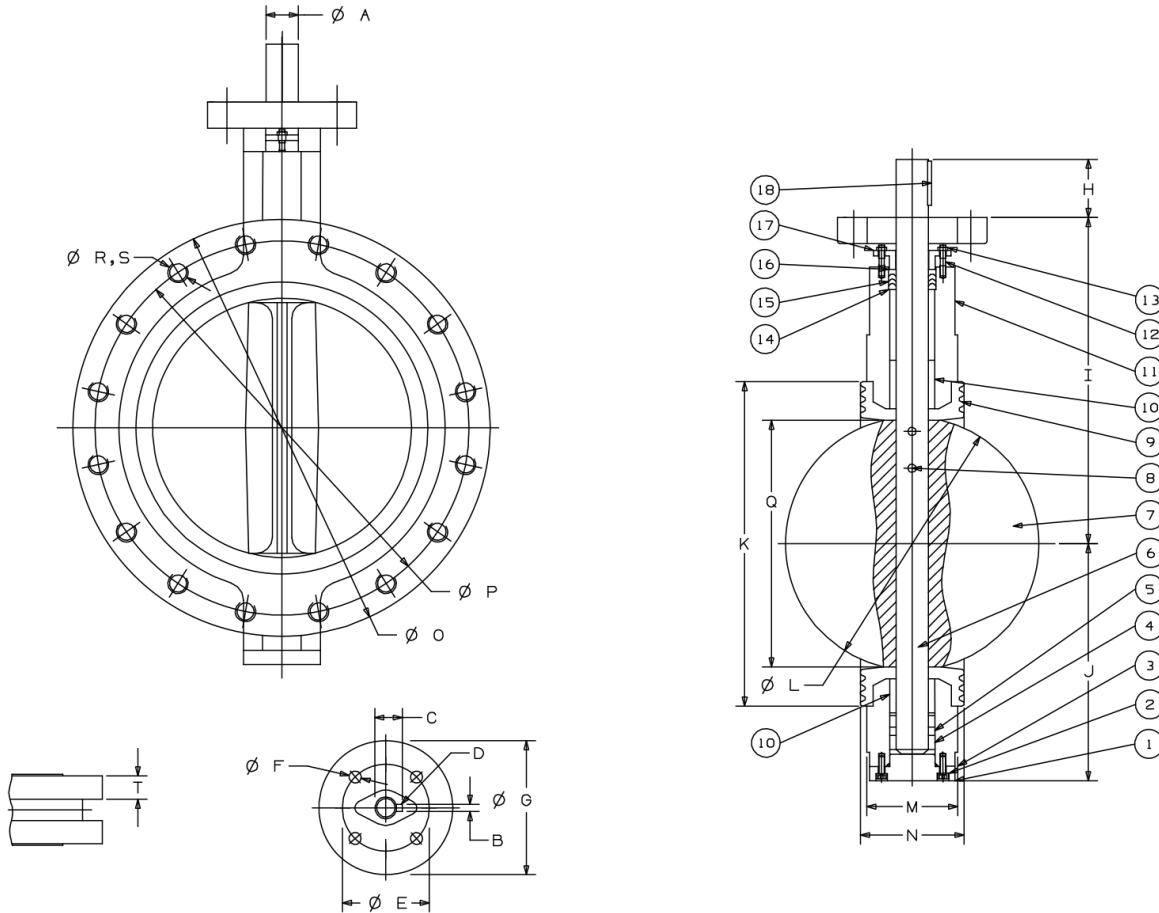
MATERIAL BY FIGURE NUMBER

FIGURE NUMBER	SEAT	DISC	STEM	TAPER PIN
LD3000	EPDM	Aluminum Bronze	420 SST	420 SST
LD3100	NBR	Aluminum Bronze	420 SST	420 SST
LD3022	EPDM	CF8M SST	17-4 PH SST	17-4 PH SST
LD3122	NBR	CF8M SST	17-4 PH SST	17-4 PH SST

Visit our website for the most current information.

250 psi (17.2 Bar) Ductile Iron Butterfly Valve (continued)

Size: 14" to 24"



DIMENSIONS - WEIGHTS

VALVE SIZE		ØA		B		C		D (KEY)		ØE		ØF		G		H		I		J		ØK	
inch	mm	inch	mm	inch	mm	inch	mm	inch	mm	inch	mm	inch	mm	inch	mm	inch	mm	inch	mm	inch	mm	inch	mm
14"	350	1.687	42.86	0.472	12	1.81	45.86	.487 X .315 X 1.61	12 X 8 X 40	4.02	102	0.47	12	5.51	140	1.81	46	15.67	398	11.30	287	16.50	419
16"	400	1.993	50.62	0.630	16	2.15	54.62	.630 X .394 X 2.75	16 X 10 X 70	5.51	140	0.71	18	7.76	197	2.99	76	16.97	431	13.74	349	18.90	480
18"	450	2.125	53.98	0.630	16	2.28	57.98	.630 X .394 X 2.75	16 X 10 X 70	5.51	140	0.71	18	7.76	197	2.99	76	17.83	453	14.45	367	20.67	525
20"	500	2.494	63.35	0.709	18	2.65	67.35	.709 X .433 X 3.15	18 X 11 X 80	5.51	140	0.71	18	7.76	197	3.39	86	18.90	480	15.91	404	22.05	560
24"	600	2.756	70.00	0.787	20	2.93	74.50	.784 X .472 X 3.15	20 X 12 X 80	10.00	254	0.71	18	11.81	300	3.39	86	22.13	562	18.15	461	26.57	675

VALVE SIZE		L		M		N		O		P		Q		R QTY	S THREADS	T		GEAR MOUNT	WEIGHT	
inch	mm	inch	mm	inch	mm	inch	mm	inch	mm	inch	mm	inch	mm			inch	mm		lbs	kg
14"	350	13.15	334.0	3.62	92	3.94	100	21.00	533	18.75	476.3	12.87	327	24	1" - 8 UNC	1.18	30	F10	220 lbs	100 Kg
16"	400	15.36	390.1	4.02	102	4.33	110	23.50	597	21.25	539.8	15.08	383	32	1" - 8 UNC	1.26	32	F14	288 lbs	131 Kg
18"	450	17.37	441.1	4.49	114	4.80	122	25.00	635	22.75	577.9	17.01	432	32	1 1/8" - 7 UNC	1.38	35	F14	354 lbs	161 Kg
20"	500	19.37	492.1	5.00	127	5.31	135	27.50	699	25.00	635.0	18.98	482	40	1 1/8" - 7 UNC	1.57	40	F14	471 lbs	214 Kg
24"	600	23.34	592.8	6.06	154	6.38	162	32.00	813	29.50	749.3	23.03	585	40	1 1/4" - 7 UNC	1.77	45	F25	653 lbs	297 Kg

Note: Not recommended for steam service.

Visit our website for the most current information.