

EASY SET INDICATOR POST NIP-1AU NIP-2AW

FIRE PROTECTION

APPLICATIONS

- Use same head for wall post or upright post applications
- Open/Shut indicator targets:
 - Protected/sealed behind polycarbonate window
 - Easy slide lock target positioning
 - Adjustable bogie assembly for quick installation/setup
 - Dry fusion bonded epoxy coating for maximum protection
- Operate left-hand opening (counter-clockwise) or right-hand opening (clockwise) valves
- Lockable handwheel for wall post applications
- Lockable operating wrench for upright adjustable applications
- Operates multi-turn non-rising stem post indicator valves (PIV)

MATERIALS & CONSTRUCTION

- Upper Body (Ductile Iron)
- Operating Rod (Steel)
- Center Body (Ductile Iron)
- Barrel (Ductile Iron)
- Lower Body (Ductile Iron)
- Leading Bogie (Bronze)
- Target Plates (Cast Aluminum)
- Operating Wrench (Ductile Iron)
- Hand Wheel (Ductile Iron)

NIBCO offers a broad selection of valves and fittings approved for pressure-rated fire sprinkler systems including butterfly, gate, ball, angle, globe, and check valves in addition to indicator posts.

The NIBCO® Easy Set Indicator Post is for use in commercial and industrial building applications to indicate open/shut disposition of main water supply to the fire system. It operates multi-turn valves below ground or on the other side of a wall.



NIP-1AU

Upright
Shown with
post indicator
valve



NIP-2AW
Wall Mount



PATENT #US 9,541,218

DESIGN CRITERIA

- UL, cUL listed
- FM approved
- Easily attach supervisory switch for monitoring open valve position
- NIBCO patented indicator posts mate to 4" to 16" post indicator valves
- NIBCO patented indicator posts are height (length) adjustable
 - Upright posts are available in four convenient height ranges (Post indicator valve maximum bury depth 130")
 - Wall posts are length adjustable (Standard operating rod length 30" maximum)

Wall Mount Indicator Posts

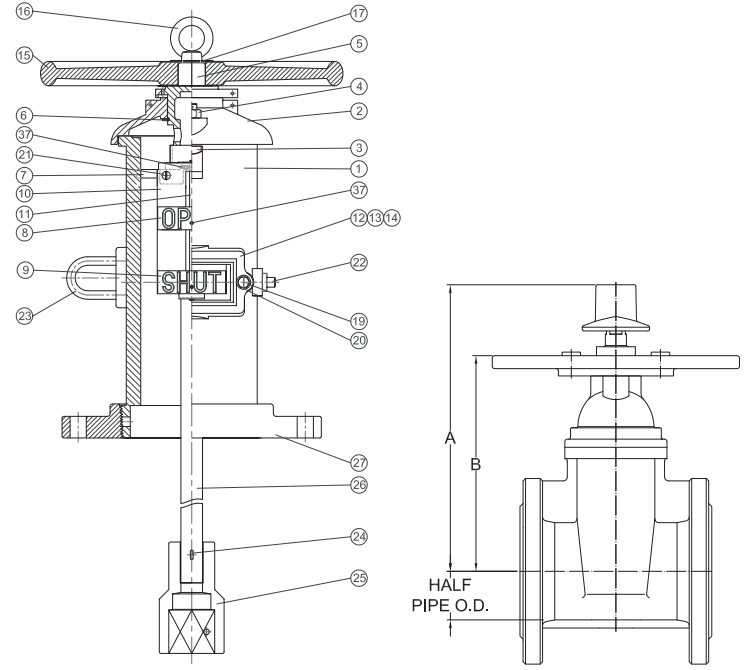
PATENT #US 9,541,218

Fire Protection • Wall Mount Style • Use with Non-Rising Stem Indicator Post Style Gate Valves

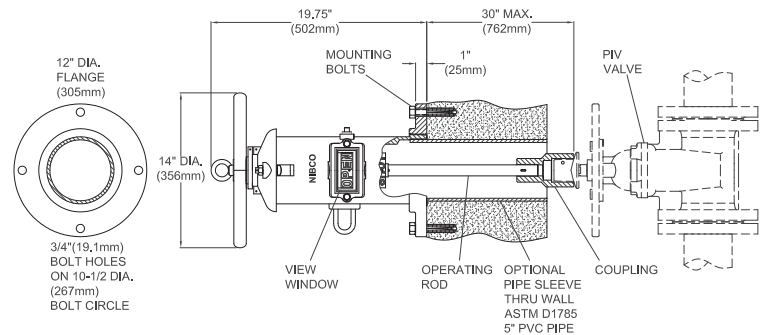
UL LISTED • FM APPROVED

MATERIAL LIST

PART	SPECIFICATION
1. Upper Body	Ductile Iron ASTM A536 Gr. 65-45-12
2. Cap	Ductile Iron ASTM A536 Gr. 65-45-12
3. T-Head Bolt, Cap (2)	Zinc Plated Steel ASTM A105
4. Nut, Cap (2)	Zinc Plated Steel ASTM A105
5. Operating Stem	Bronze ASTM B584 C84400 / B62 C83600
6. Retaining Ring, Stem	Stainless Steel ASTM A276 S30400
7. Leading Bogie	Bronze ASTM B584 C84400 / B62 C83600
8. Target Plate, OPEN (2)	Aluminum ASTM B26
9. Target Plate, SHUT (2)	Aluminum ASTM B26
10. Extension Plate (2)	Steel, Painted Black ASTM A1008
11. Target Rod (2)	Brass ASTM B16 C36000
12. View Window (2)	Polycarbonate Commercial
13. Gasket, Window (2)	Rubber ASTM D2000 EPDM
14. Guard, Window (2)	Cast Iron ASTM B124 Gr. B
15. Handwheel	Ductile Iron ASTM A536 Gr. 65-45-12
16. Eyebolt, Handwheel	Zinc Plated Forged Steel ASTM A105
17. Washer, Handwheel Retainer	Zinc Plated Steel Commercial
19. Screw, Hex Head Cap (4)	Stainless Steel S30400
20. Washer (4)	Stainless Steel S30400
21. Screw, Slotted Flat Head (4)	Stainless Steel S30400
22. Plug 1/2" Pipe	Zinc Plated Steel Commercial
23. U-Bolt	Forged Steel ASTM A105
24. Cotter Pin	Stainless Steel S30400
25. Coupling, Operating Rod	Ductile Iron ASTM A536 Gr. 65-45-12
26. Operating Rod	Steel ASTM A105
27. Flange, Threaded	Ductile Iron ASTM A536 Gr. 65-45-12
37. Screw, Socket Head Set (6)	Stainless Steel S30400



NIP-2AW



WEIGHT*

Fig. No.	Lbs.	KG
NIP-2AW	89	40

* Includes rod & coupling

DIMENSIONAL DATA FOR RWSGV AND IBBM GATE VALVES

Valve Size	RESILIENT WEDGE SEATED GATE VALVES (RWSGV)							IRON BODY BRONZE MOUNTED GATE VALVES (IBBM)						
	TURNS TO OPEN	A		B		Half Pipe O.D.		TURNS TO OPEN	A		B		Half Pipe O.D.	
		In.	mm.	In.	mm.	In.	mm.		In.	mm.	In.	mm.	In.	mm.
4"	13	13.46	342	10.12	257	2.40	61	9	14.13	359	10.47	266	2.40	61
6"	15.7	17.01	432	13.78	350	3.45	88	13.5	18.54	471	16.30	414	3.45	88
8"	17.3	20.47	520	17.32	440	4.53	115	17.5	22.13	562	18.11	460	4.53	115
10"	21.4	23.82	605	20.71	526	5.50	140	30.3	25.75	654	21.89	556	5.50	140
12"	25.3	27.01	686	23.86	606	6.60	168	38.3	29.49	749	24.57	624	6.60	168
14"	44	31.81	808	28.58	726	7.65	194							
16"	50	34.21	869	30.98	787	8.70	221							



Visit our website for the most current information.

Upright Indicator Posts

PATENT #US 9,541,218

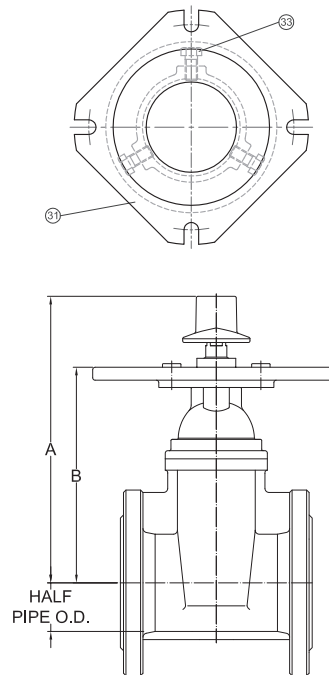
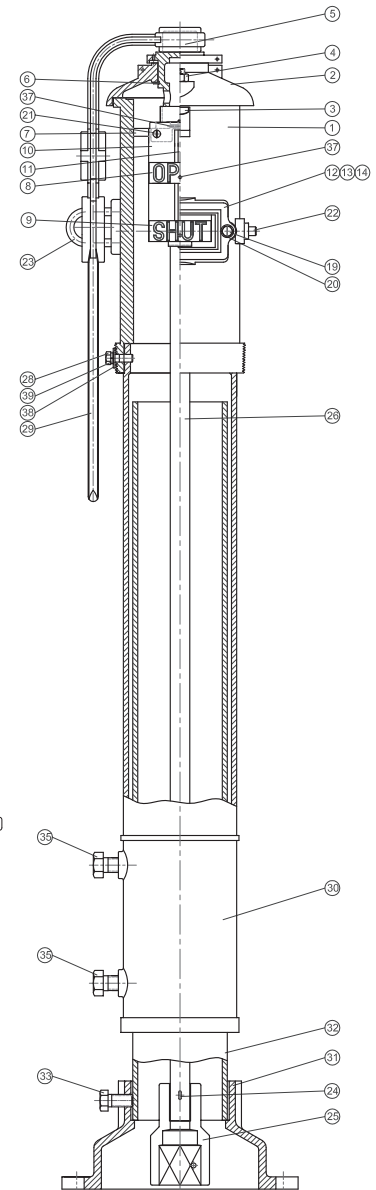
Fire Protection • Upright Style • Use with Non-Rising Stem Indicator Post Style Gate Valves

UL LISTED • FM APPROVED

MATERIAL LIST

PART	SPECIFICATION
1. Upper Body	Ductile Iron ASTM A536 Gr. 65-45-12
2. Cap	Ductile Iron ASTM A536 Gr. 65-45-12
3. T-Head Bolt, Cap (2)	Steel, Zinc Plated ASTM A105
4. Nut, Cap (2)	Steel, Zinc Plated ASTM A105
5. Operating Stem	Bronze ASTM B584 C84400 / B62 C83600
6. Retaining Ring	Stainless Steel ASTM A276 S30400
7. Leading Bogie	Bronze ASTM B584 C84400 / B62 C83600
8. Target Plate, OPEN (2)	Aluminum ASTM B26
9. Target Plate, SHUT (2)	Aluminum ASTM B26
10. Extension Plate (2)	Steel, Painted Black ASTM A1008
11. Target Rod (2)	Brass ASTM B16 C36000
12. View Window (2)	Polycarbonate Commercial
13. Gasket, Window (2)	Rubber ASTM D2000 EPDM
14. Guard, Window (2)	Cast Iron ASTM B124 Gr. B
19. Screw, Hex Head Cap (4)	Stainless Steel S30400
20. Washer (4)	Stainless Steel S30400
21. Screw, Slotted Flat Head (4)	Stainless Steel S30400
22. Plug, 1/2" Pipe	Steel, Zinc Plated Commercial
23. U-Bolt	Forged Steel ASTM A105
24. Cotter Pin	Stainless Steel S30400
25. Coupling, Operating Rod	Ductile Iron ASTM A536 Gr. 65-45-12
26. Operating Rod*	Steel ASTM A105
28. Screw, Hex Head Cap	Stainless Steel S30400
29. Wrench, Operating	Ductile Iron ASTM A536 Gr. 65-45-12
30. Center Body	Ductile Iron ASTM A536 Gr. 65-45-12
31. Base Body	Ductile Iron ASTM A536 Gr. 65-45-12
32. Barrel	Ductile Iron ASTM A536 Gr. 65-45-12
33. Screw, Hex Head Cap (3)	Stainless Steel S30400
35. Screw, Hex Head Cap (2)	Stainless Steel S30400
37. Screw, Socket Head Set (6)	Stainless Steel S30400
38. Washer, Flat	Stainless Steel S30400
39. Washer, Lock	Stainless Steel S30400

*Note: Operating rod must be cut to length onsite: see O&M Manual.



DIMENSIONAL DATA FOR RWSGV AND IBBM GATE VALVES

Valve Size	RESILIENT WEDGE SEATED GATE VALVES (RWSGV)							IRON BODY BRONZE MOUNTED GATE VALVES (IBBM)						
	TURNS TO OPEN	A		B		Half Pipe O.D.		TURNS TO OPEN	A		B		Half Pipe O.D.	
		In.	mm.	In.	mm.	In.	mm.		In.	mm.	In.	mm.	In.	mm.
4"	13	13.46	342	10.12	257	2.40	61	9	14.13	359	10.47	266	2.40	61
6"	15.7	17.01	432	13.78	350	3.45	88	13.5	18.54	471	16.30	414	3.45	88
8"	17.3	20.47	520	17.32	440	4.53	115	17.5	22.13	562	18.11	460	4.53	115
10"	21.4	23.82	605	20.71	526	5.50	140	30.3	25.75	654	21.89	556	5.50	140
12"	25.3	27.01	686	23.86	606	6.60	168	38.3	29.49	749	24.57	624	6.60	168
14"	44	31.81	808	28.58	726	7.65	194							
16"	50	34.21	869	30.98	787	8.70	221							

Visit our website for the most current information.

Upright Indicator Posts

UPRIGHT INDICATOR POST VALVE BURY DEPTH

Valve Size	*Rounded Adjustable Bury Depth Range	RESILIENT WEDGE SEATED GATE VALVES (RWSGV)								IRON BODY BRONZE MOUNTED GATE VALVES (IBBM)							
		NIP-1AU		NIP-1AU E		NIP-1AU EE		NIP-1AU EEE		NIP-1AU		NIP-1AU E		NIP-1AU EE		NIP-1AU EEE	
		Bury Depth		Bury Depth		Bury Depth		Bury Depth		Bury Depth		Bury Depth		Bury Depth		Bury Depth	
		In.	mm.	In.	mm.	In.	mm.	In.	mm.	In.	mm.	In.	mm.	In.	mm.	In.	mm.
4"	MINIMUM	28	724	46	1181	64	1638	82	2095	29	733	47	1190	65	1647	83	2104
	MAXIMUM	48	1232	66	1689	84	2146	102	2603	49	1241	67	1698	85	2155	103	2612
6"	MINIMUM	33	844	51	1301	69	1758	87	2215	36	908	54	1365	72	1822	90	2279
	MAXIMUM	53	1352	71	1809	89	2266	107	2723	56	1416	74	1873	92	2330	110	2787
8"	MINIMUM	38	961	56	1418	74	1875	92	2332	39	981	57	1438	75	1895	93	2352
	MAXIMUM	58	1469	76	1926	94	2383	112	2840	59	1489	77	1946	95	2403	113	2860
10"	MINIMUM	42	1072	60	1529	78	1986	96	2443	43	1102	61	1559	79	2016	97	2473
	MAXIMUM	62	1580	80	2037	98	2494	116	2951	63	1610	81	2067	99	2524	117	2981
12"	MINIMUM	46	1180	64	1637	82	2094	100	2551	47	1198	65	1655	83	2112	101	2569
	MAXIMUM	66	1688	84	2145	102	2602	120	3059	67	1706	85	2163	103	2620	121	3077
14"	MINIMUM	52	1326	70	1783	88	2240	106	2697								
	MAXIMUM	72	1834	90	2291	108	2748	126	3205								
16"	MINIMUM	56	1414	74	1871	92	2328	110	2785								
	MAXIMUM	76	1922	94	2379	112	2836	130	3293								

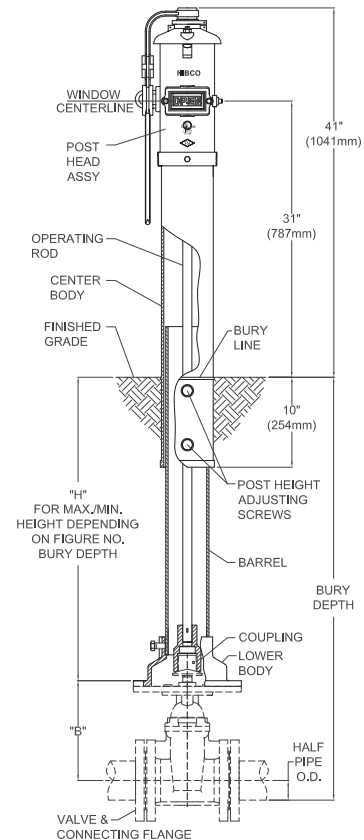
UPRIGHT INDICATOR POST ADJUSTABLE HEIGHT RANGE

Adjustable Height Range	NIP-1AU		NIP-1AU E		NIP-1AU EE		NIP-1AU EEE	
	H		H		H		H	
	In.	mm.	In.	mm.	In.	mm.	In.	mm.
MINIMUM	16	406	34	864	52	1321	70	1778
MAXIMUM	36	914	54	1372	72	1829	90	2286

WEIGHTS*

Fig. No.	Lbs.	KG
NIP-1AU	178	81
NIP-1AU E	204	93
NIP-1AU EE	230	104
NIP-1AU EEE	256	116

* Includes rod & coupling



Visit our website for the most current information.