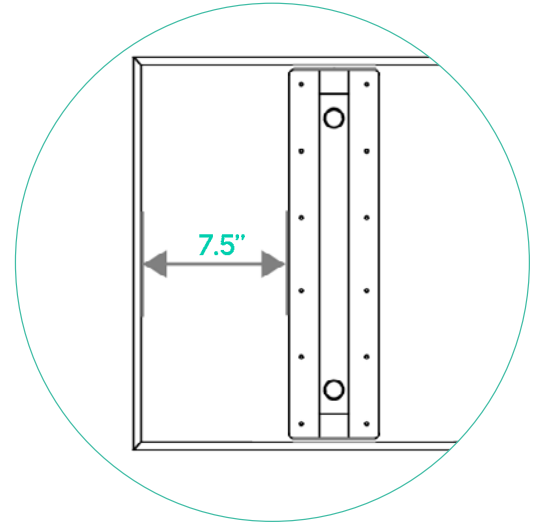
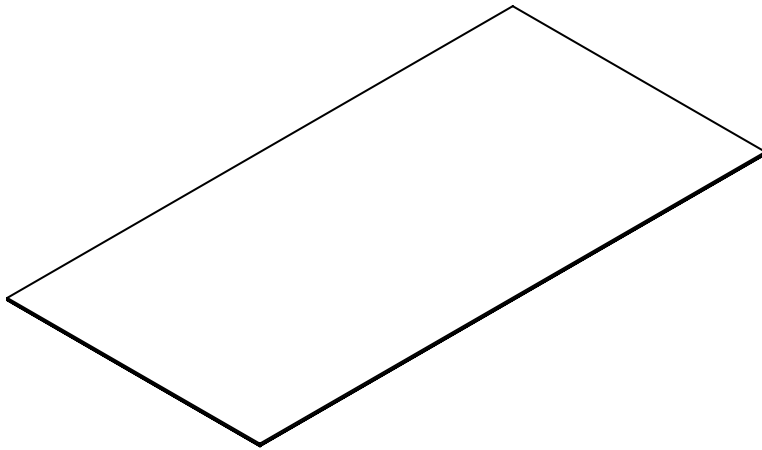


ACUITY DESK

## 1 | PREPARE SURFACE

Carefully place surface upside-down on floor, a cushioned area is preferred.

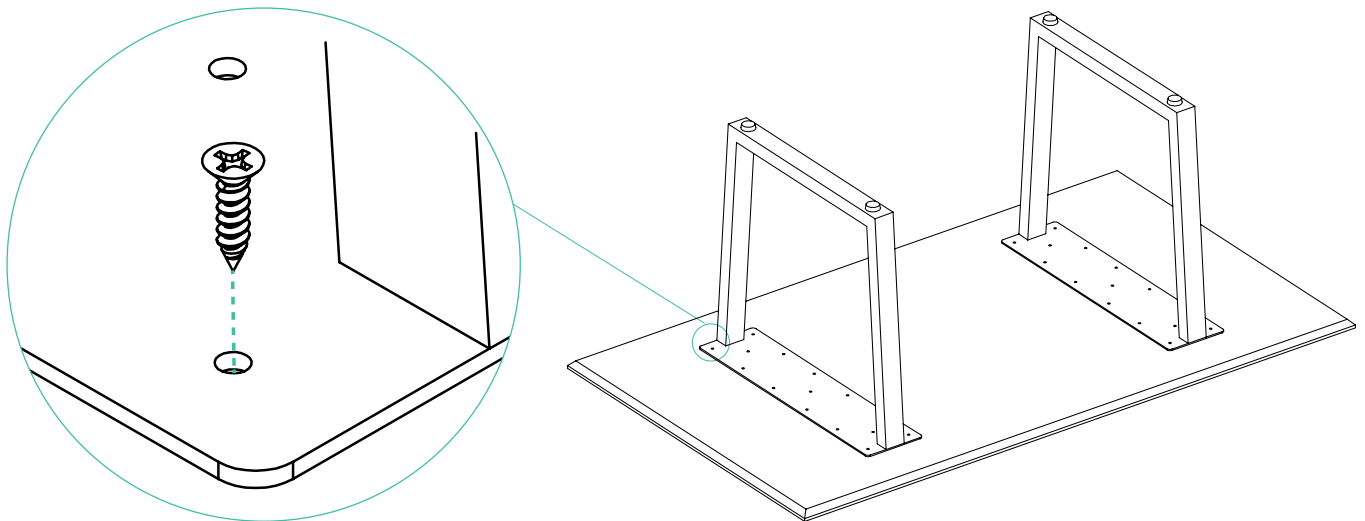
Measure from surface edge to determine leg placement.



## 2 | INSTALL ANGLED SLEIGH LEGS

Follow measure measurement and insert 15 screws per leg through the metal plate and into the laminate surface.

Note: On smaller surfaces, leg plate will cover grommet hole.



### 3 | INSTALL SURFACE SUPPORT BAR(S)

