

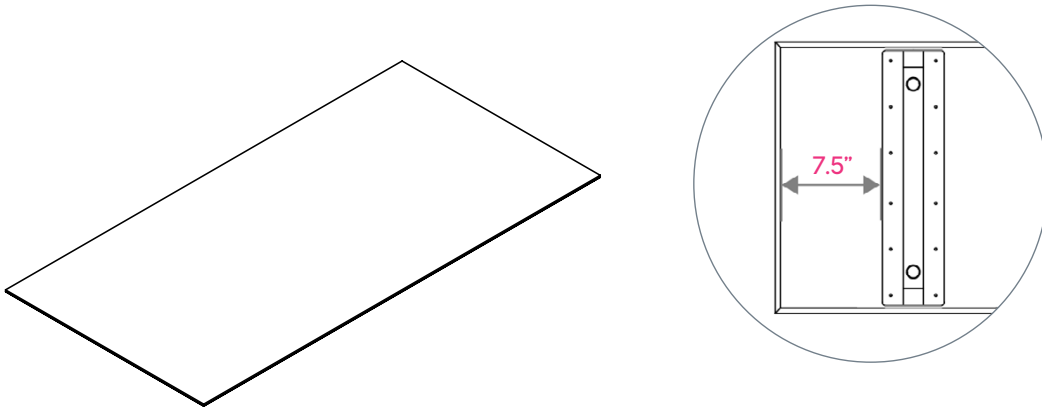
# Acuity Desk

---

General Installation Guide

## 1 | Prepare Surface

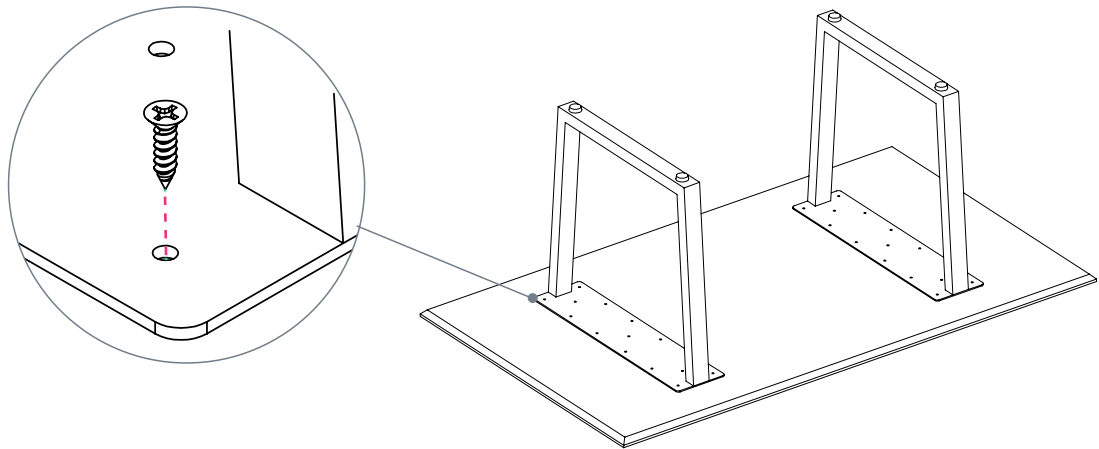
Carefully place surface upside-down on floor, a cushioned area is preferred. Measure from surface edge to determine leg placement.



## 2 | Install Angled Sleigh Legs

Follow measure measurement and insert 15 screws per leg through metal plate and into laminate surface.

**Note:** On smaller surfaces, leg plate will cover grommet hole.



### 3 | Install Surface Support Bar(s)

