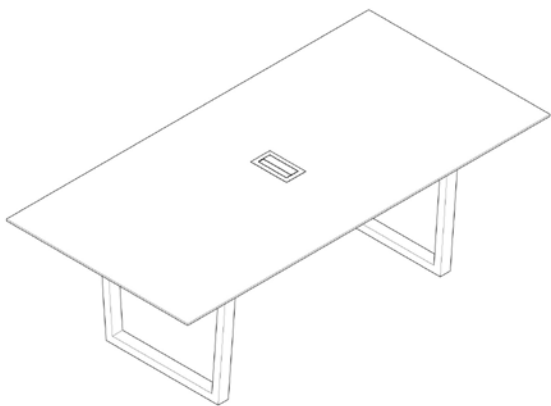




TH-1







THREE60 CONFERENCE SLEIGH LEG

Includes Optional Power and Wire Management Install

*General Guide | See Master Plan

THREE60 SLEIGH LEG

PARTS LIST

ITEM CODE	QTY	PRODUCT CODE	
GCNAB	2	Angled Sleigh Leg	
CNS####	1	Main Surface	
BASB72	1	Surface Support Bar	
CNWG	1	In-Surface Grommet	

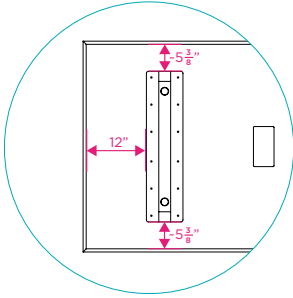
Note: Install steps are the same for sitting and standing-height tables

1 | PREPARE SURFACE

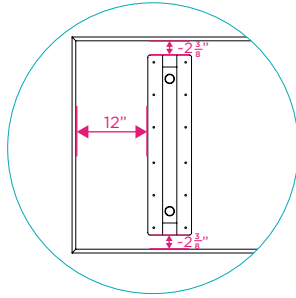
Carefully place surface upside-down on floor, a cushioned area is preferred.

Measure from surface edge to determine leg placement.

42" DEEP

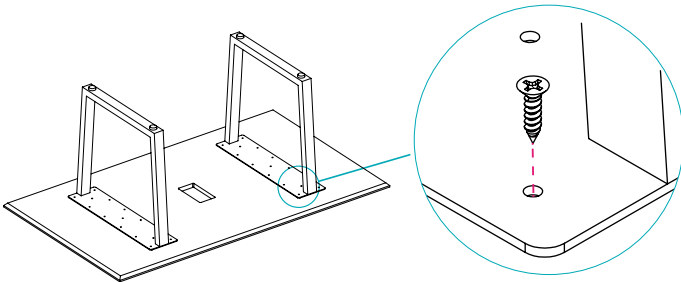


36" DEEP



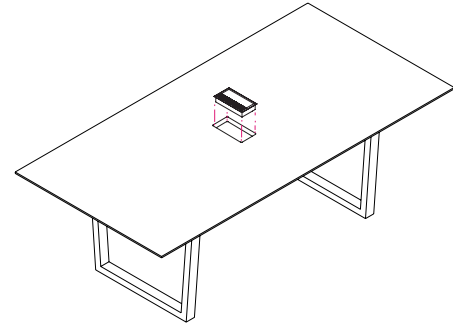
2 | INSTALL ANGLED SLEIGH LEGS

Follow measurements and insert 15 screws per leg through the metal plate and into the laminate surface.



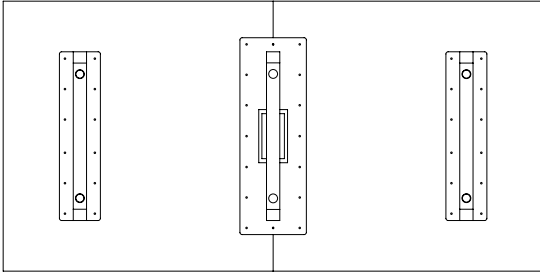
3 | FLIP AND INSERT GROMMET

Insert wire management grommet.

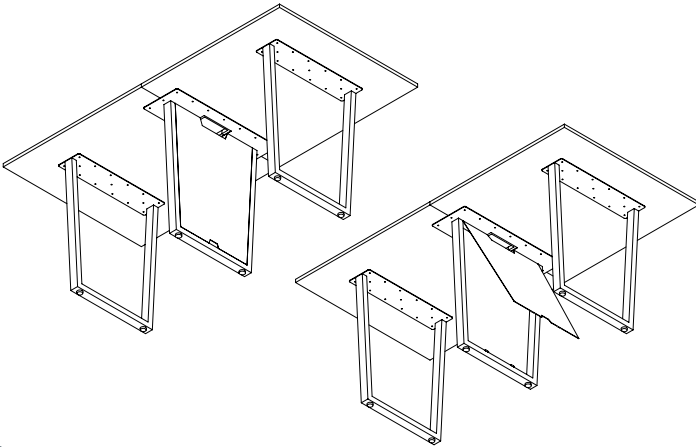


OPTIONAL COVERED SLEIGH LEG

All steps for installation are the same, however leg will be aligned with the grommet cutout on the table



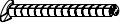


Panel on leg will swing open to manage data and power cables.



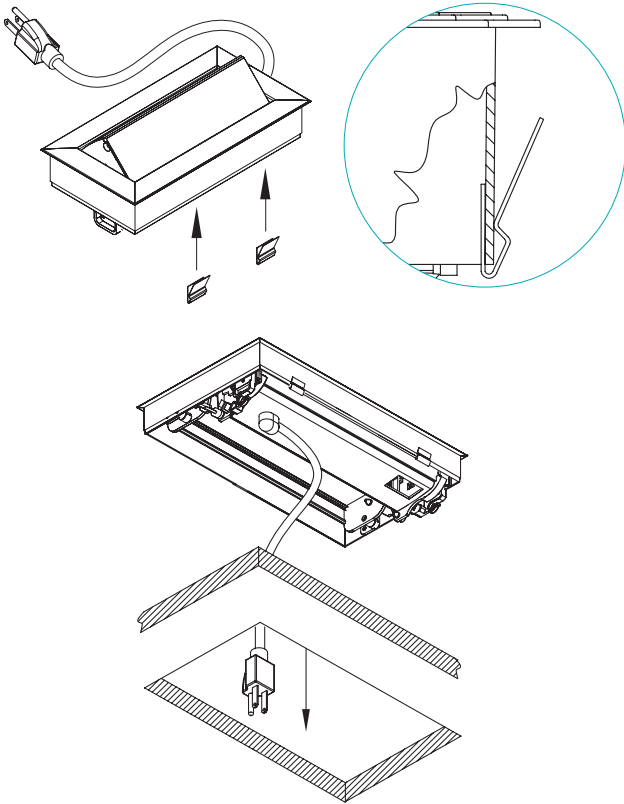
THREE60 OPTIONAL POWER

PARTS LIST

ITEM CODE	QTY	PRODUCT CODE	
BPCONF2V2 or BPCONF3	1	In-Surface Power Module	
JC1	5	J-Clips	
VB24	1	Cable Vertebrae	

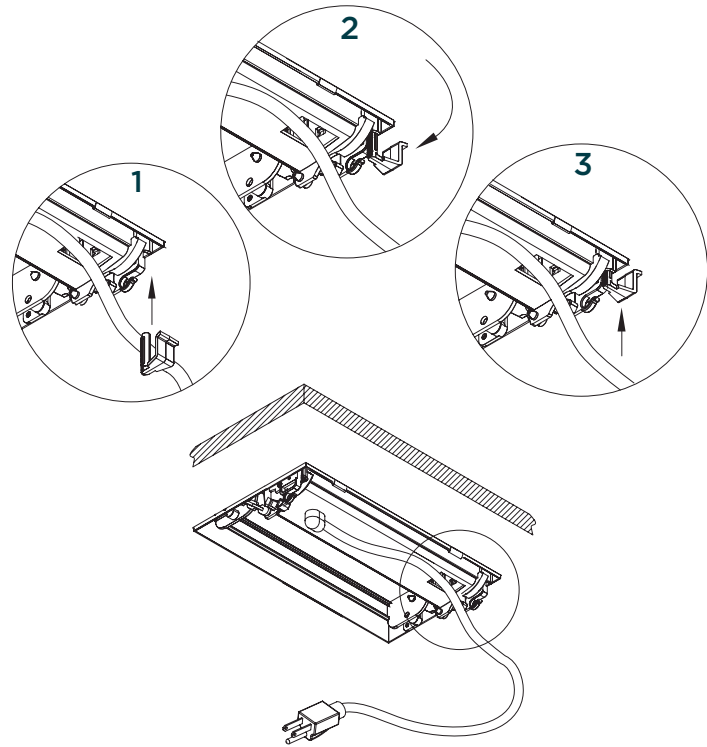
OPTIONAL POWER MODULE INSTALL

Attach 2 metal clips to the back of the module base then insert into the pre-cut holes in the surface.



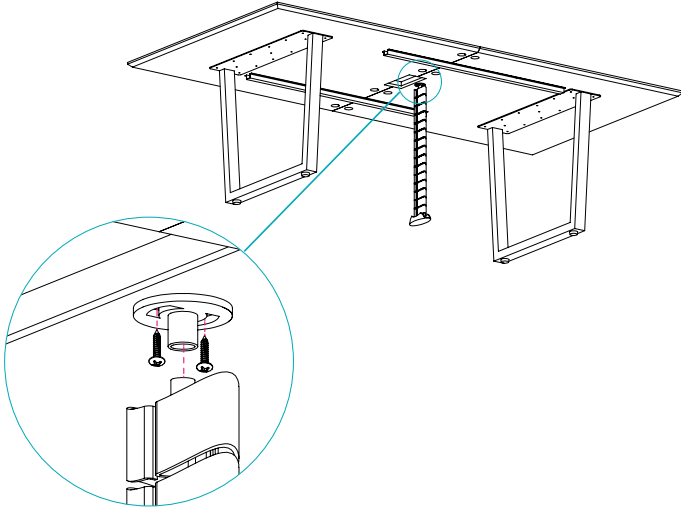
OPTIONAL POWER MODULE INSTALL

Insert the plastic clamps into the holes on the bottom of the module. Rotate and then push against the surface to clamp the module into place.



OPTIONAL POWER VERTEBRAE

Attach the vertebrae to the underside of the top panel. Insert woodscrews through the top bracket and into the laminate panel.





CLEAR
DESIGN

Workspace made easy

210.648.2095 | mycleardesign.com

© 2021 Clear Design. All rights reserved.