




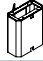


## THREE60 CONFERENCE CABINET BASE

Includes Optional Power Install

\*General Guide | See Master Plan

## THREE60 CONFERENCE - CABINET BASE

### PARTS LIST

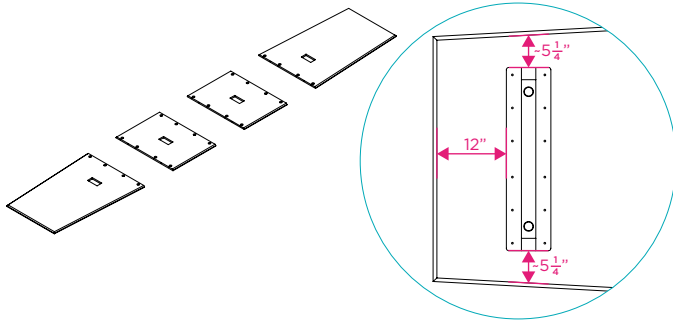
ITEM CODE	QTY	PRODUCT CODE	
CNAB	2	Angled Sleigh Leg	
CNS###	2	Trapezoid Surface	
CNCGBV2	2	Center Grommet Spacers	
CNCB	4	Cabinet Base	
BFB1	9	Flat Bracket	
CNWH	4	In-Surface Grommet	

Note: Quantities are for a 48" x 144" table, parts may vary depending on project, but install steps will remain the same.

## 1 | PREPARE SURFACE AND MEASURE FOR LEGS

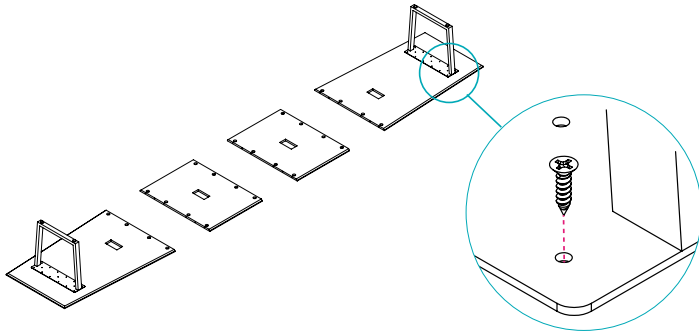
Carefully place surface upside-down on floor, a cushioned area is preferred.

Measure from surface edge to determine leg placement.



## 2 | SECURE ANGLED SLEIGH LEGS

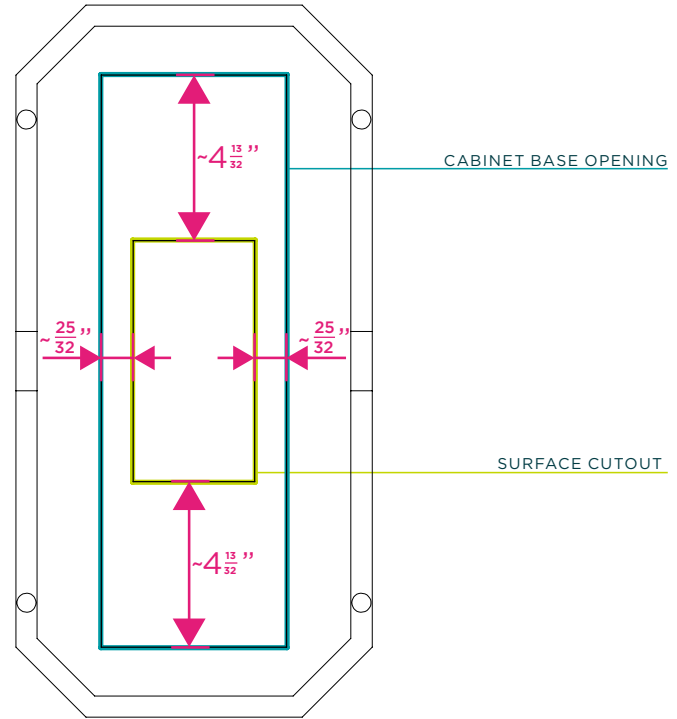
Follow measurements and insert 15 screws per leg through the metal plate and into the laminate surface.



4

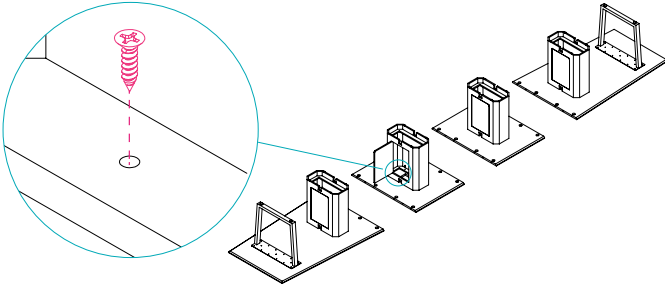
## 3 | MEASURE FOR CABINET BASE

Measure around all surface cutouts to find correct placement of cabinet base.



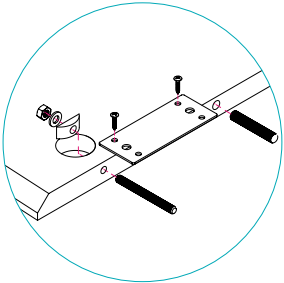
## 4 | INSTALL CABINET BASE

Insert 4 screws per base through the laminate top into the bottom of the surface.

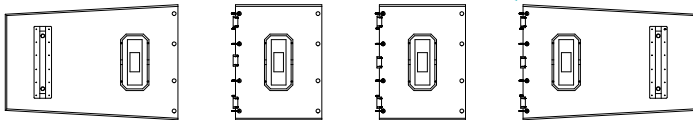


## 5 | ATTACH HARDWARE TO SURFACE EDGE

Insert 2 wooden dowels, attach 3 flat brackets and connect 4 sets of joint fasteners to one side of each surface edge.

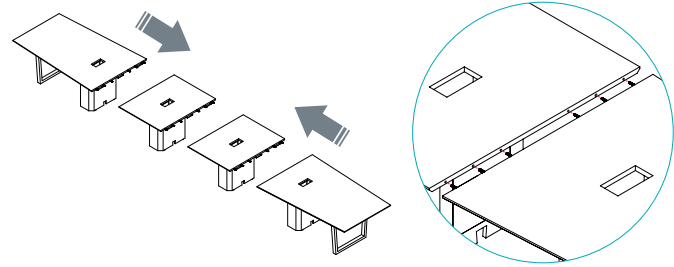


The Edge

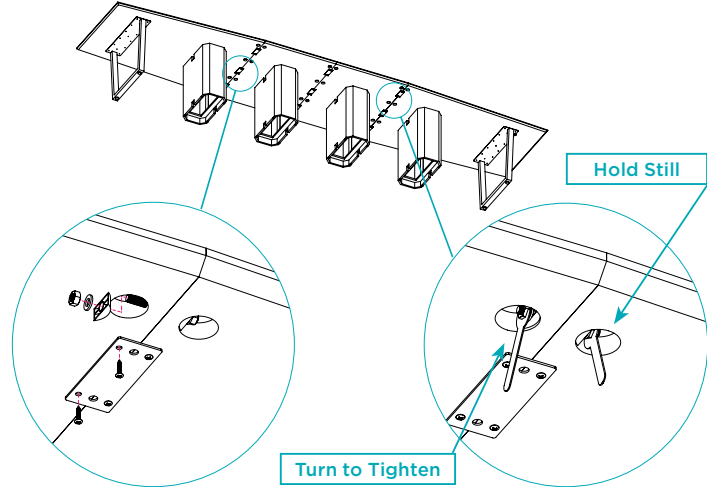


## 6 | FLIP AND ASSEMBLE

Flip each piece over so that it is standing on a leg/cabinet base. Align the open holes on the surface edge with the wooden dowels and the threaded rods on the other surface edge.

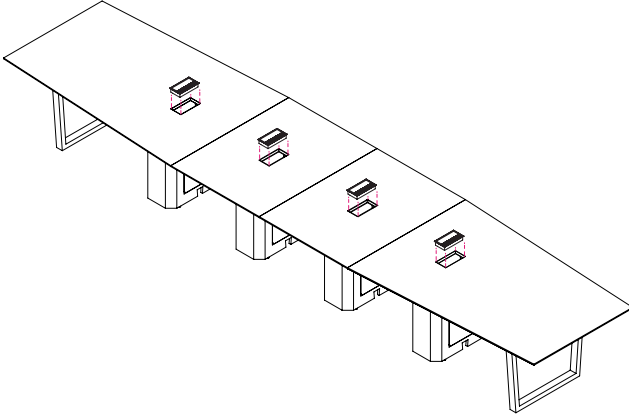


## 4 | FULLY SECURE HARDWARE




## 5 | INSERT GROMMETS

Insert wire management grommet.



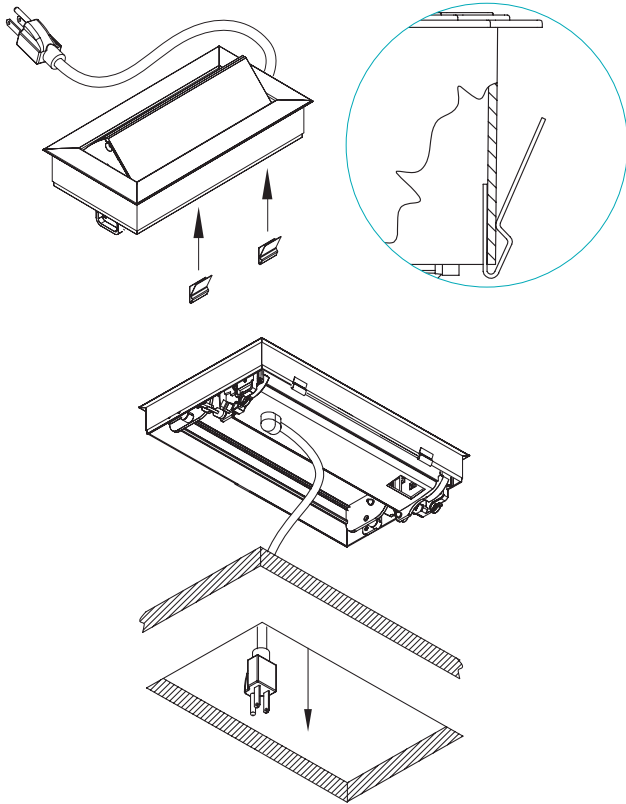
## THREE60 OPTIONAL POWER

### PARTS LIST

ITEM CODE	QTY	PRODUCT CODE	
BPCONF2V2 or BPCONF3	1	In-Surface Power Module	

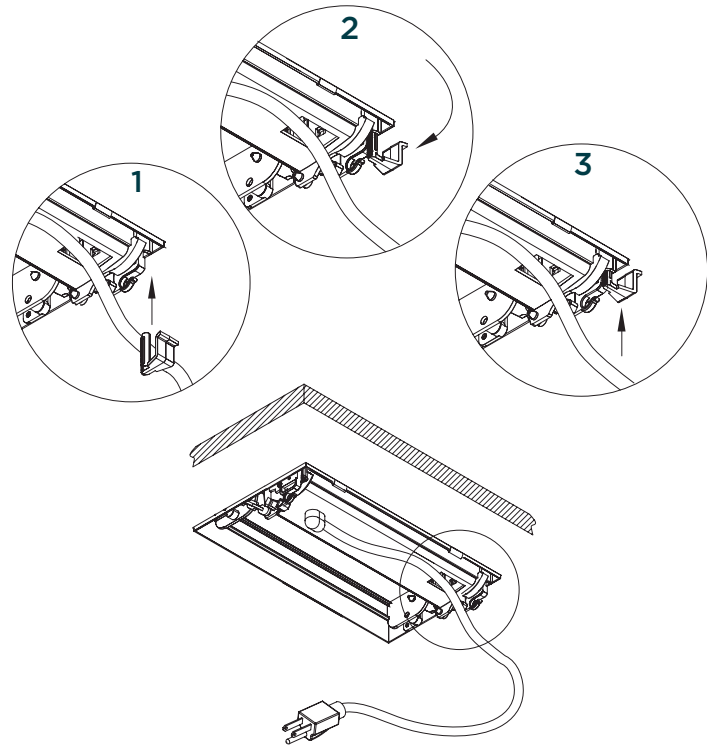
## OPTIONAL POWER MODULE INSTALL

Attach 2 metal clips to the back of the module base then insert into the pre-cut holes in the surface.



## OPTIONAL POWER MODULE INSTALL

Insert the plastic clamps into the holes on the bottom of the module. Rotate and then push against the surface to clamp the module into place.





**CLEAR**  
DESIGN

Workspace made easy

210.648.2095 | [mycleardesign.com](https://mycleardesign.com)

© 2021 Clear Design. All rights reserved.