

THREE60

CONFERENCE TABLE

Section: **S1** | **S2** | **S3**

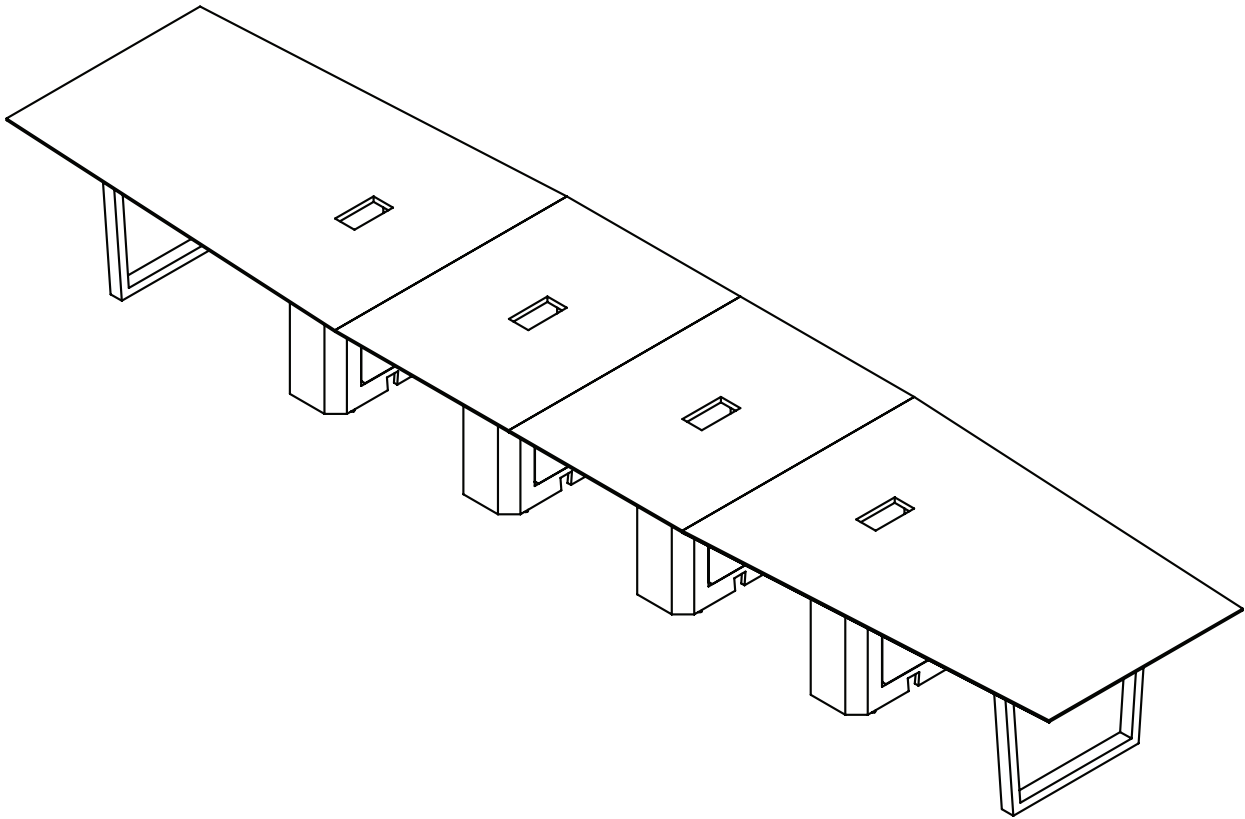
General Installation Guide

SECTIONS

S1 :: Sitting Height 1

S2 :: Standing Height 9

S3 :: Optional Power 15



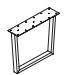
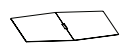



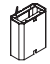
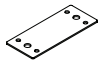
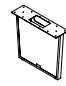
S1: SITTING HEIGHT

OVERVIEW

THREE60 Conference Table

! Quantities are for a 48" x 216" table, parts may vary depending on project, but install steps will remain the same.

PARTS LIST

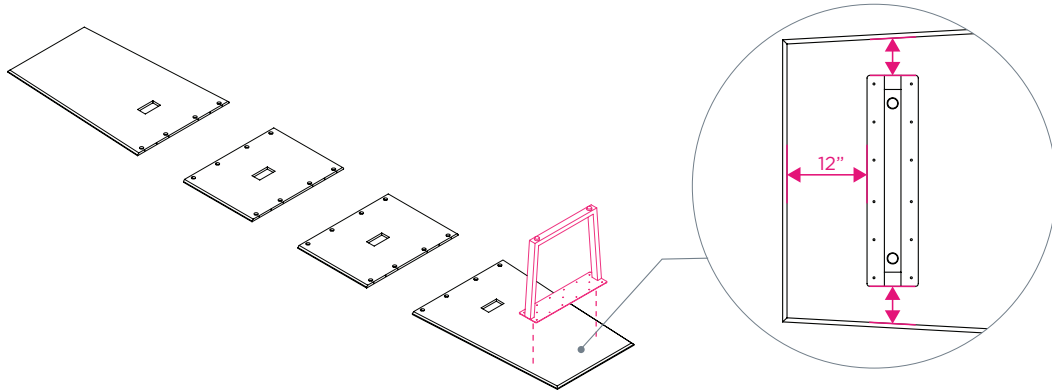
CODE	QTY	DESCRIPTION	
GCNAB	2	Angled Sleigh Leg	
CNS48144	1	Trapezoid Surface	
	2	In-Surface Grommet	
CNCGB	2	Center Grommet Spacers	
	2	In-Surface Grommet	
CNCBV2	4	Cabinet Base	
BFB1	6	Flat Bracket	
GCNABCOV*	4	Covered Leg	

*If applicable.

1 | PREPARE SURFACE AND MEASURE FOR LEGS

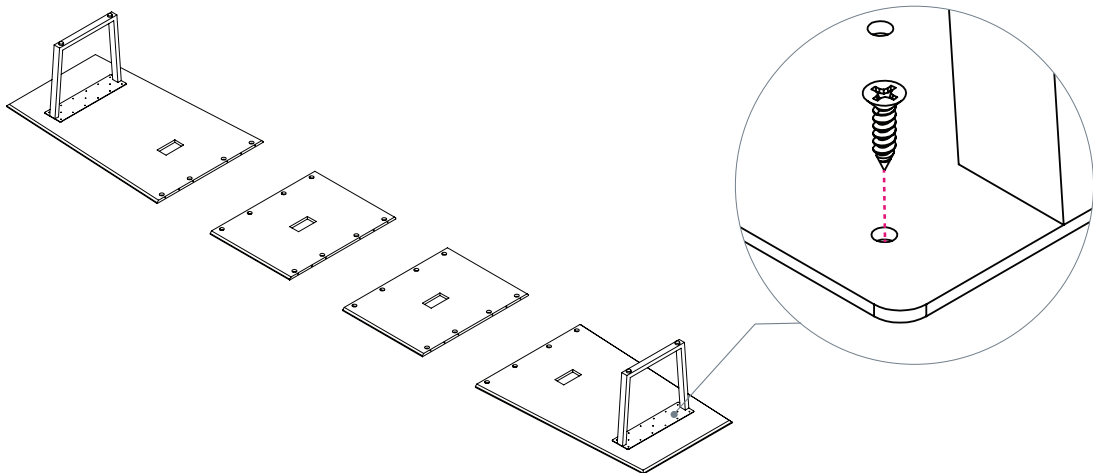
Carefully place surface upside-down on floor, a cushioned area is preferred. Measure 12" from surface edge and center-align to determine leg placement.

NOTE: Same process for square-ended table.



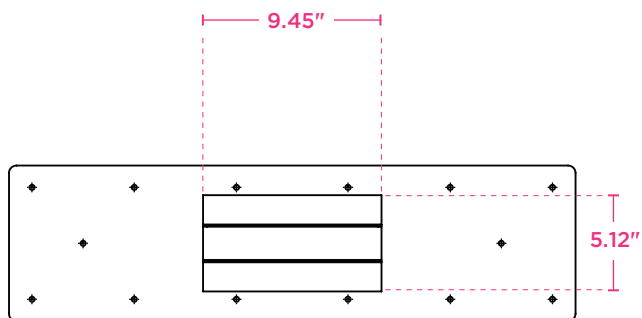
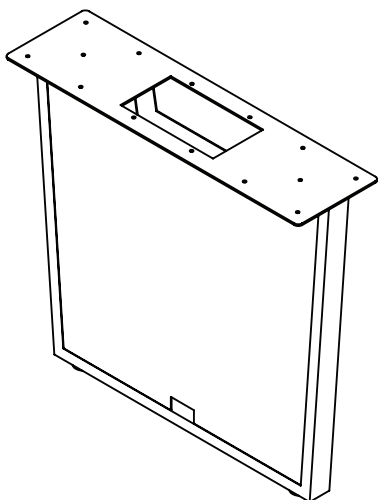
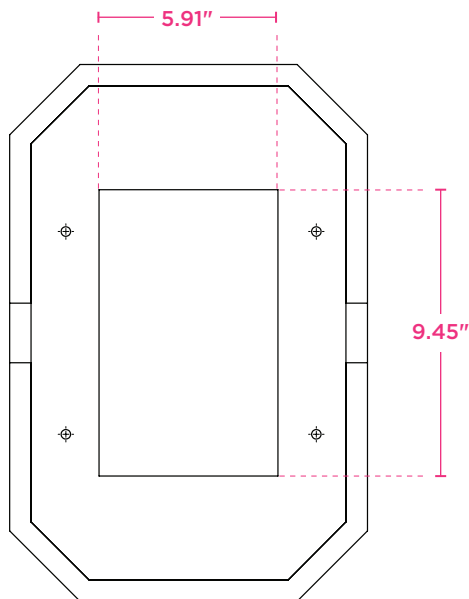
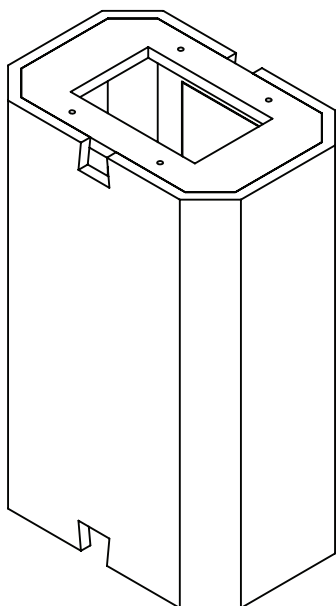
2 | SECURE ANGLED SLEIGH LEGS

Follow measurements and insert screws per leg through the metal plate and into the laminate surface.



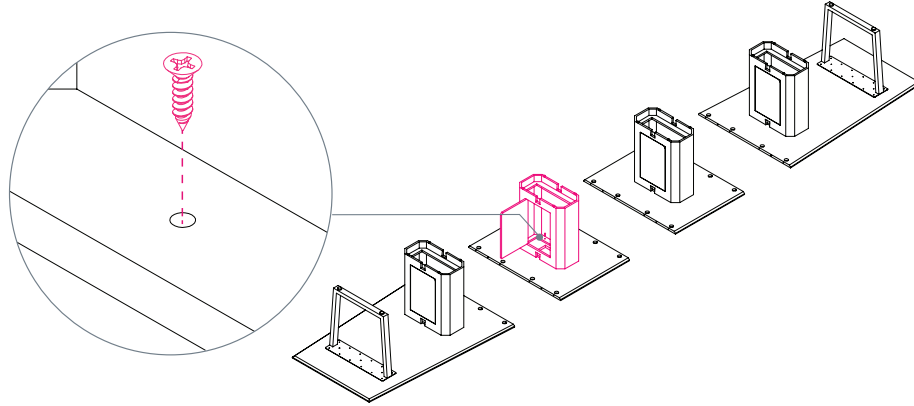
3 | MEASURE FOR CABINET BASE OR COVERED LEG

Place cabinet base, or covered leg, centered under the table grommet cutouts.



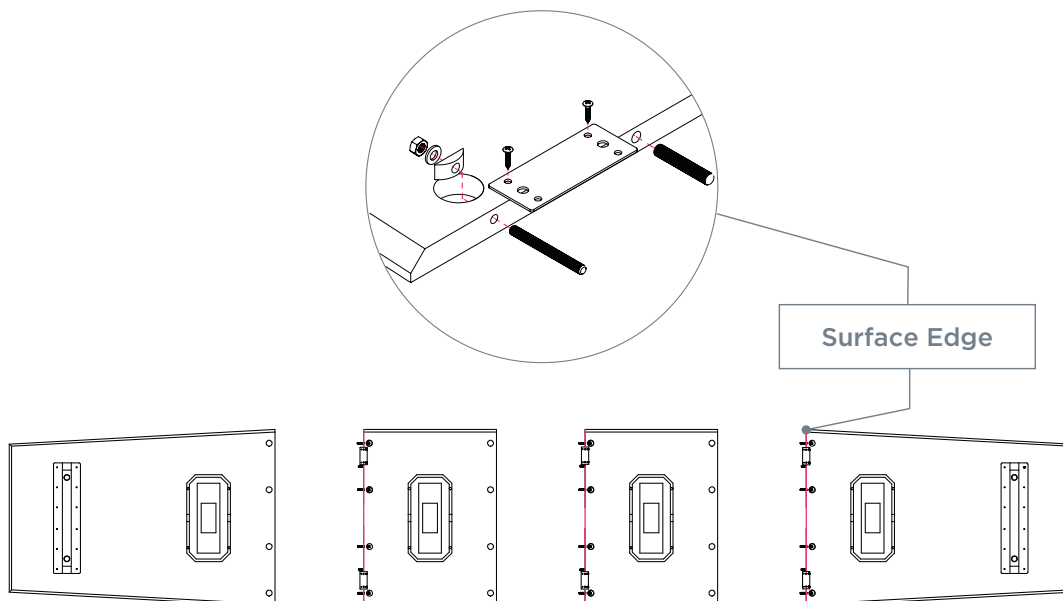
4 | INSTALL CABINET BASE OR COVERED LEG

Insert 4 screws per base through the laminate top into the bottom of the surface.



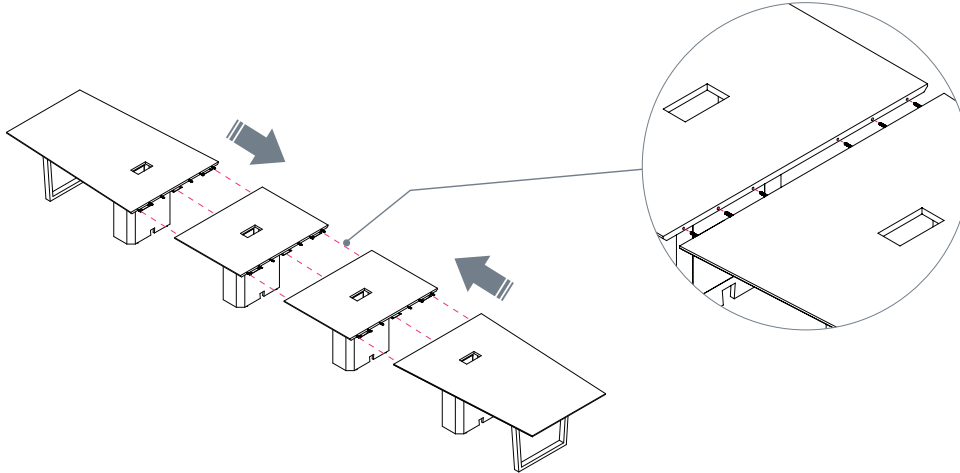
5 | ATTACH HARDWARE TO SURFACE EDGE

Insert 2 wooden dowels, attach 2 flat brackets, and connect 4 sets of joint fasteners to one side of each surface edge.

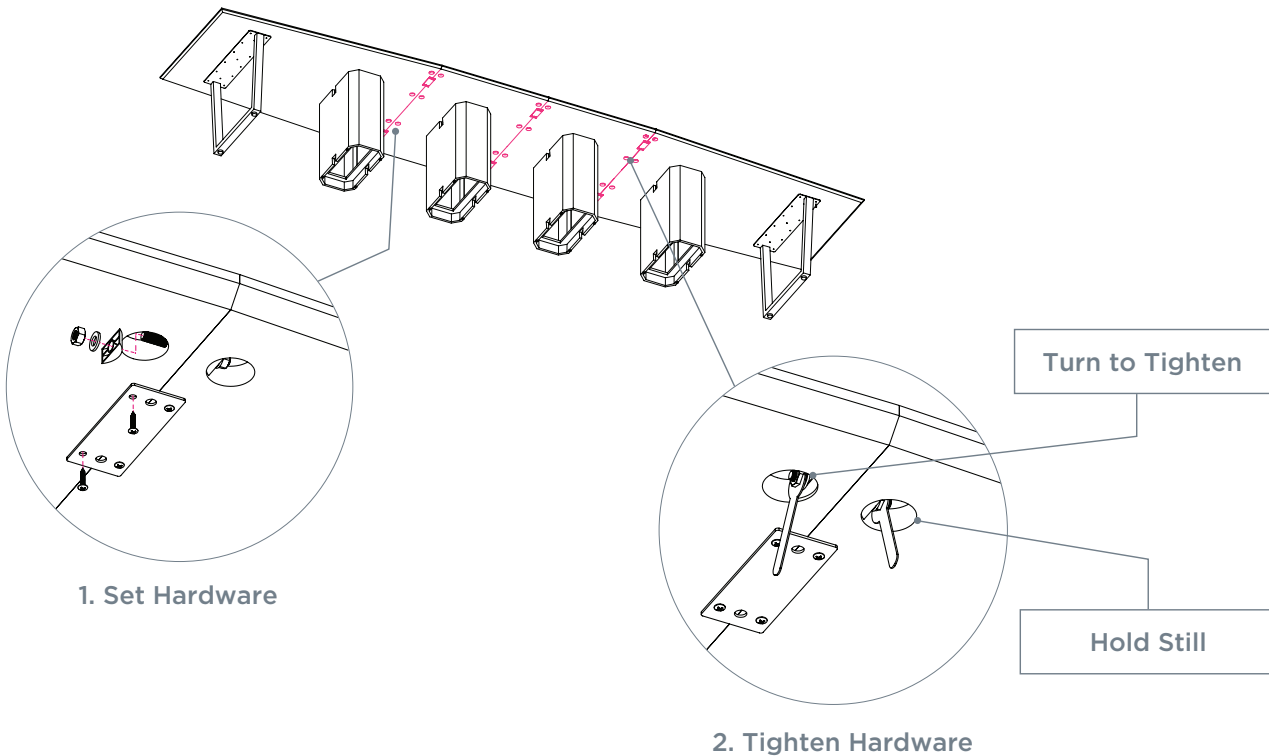


6 | FLIP AND ASSEMBLE

Flip each piece over so that it is standing on a leg/cabinet base. Align the open holes on the surface edge with the wooden dowels and the threaded rods on the other surface edge.



7 | FULLY SECURE HARDWARE

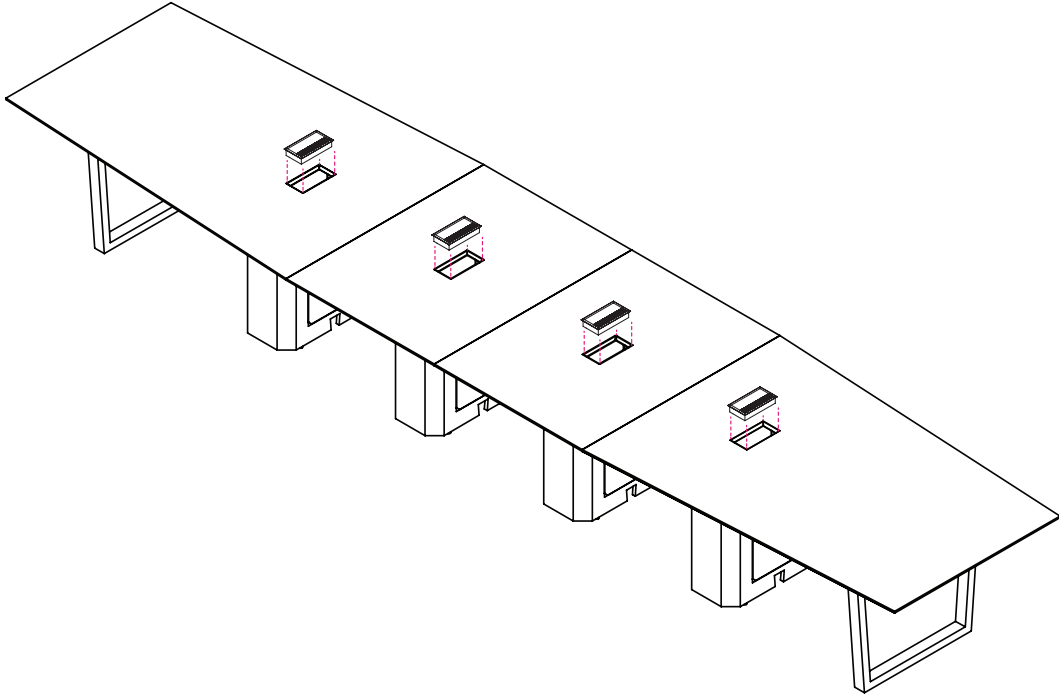


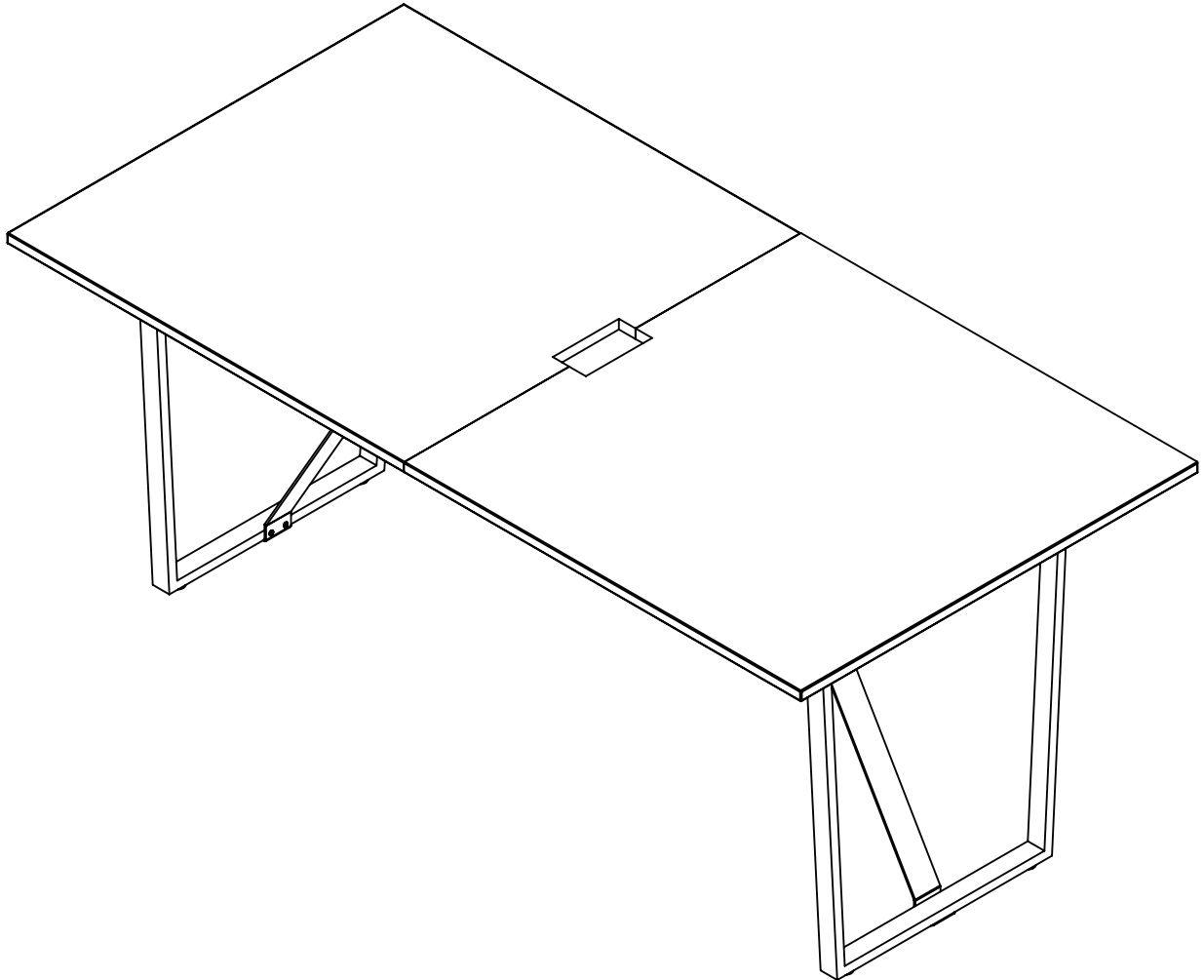
1. Set Hardware

2. Tighten Hardware

8 | INSTALL GROMMETS

Insert wire management grommet.







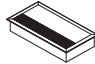


S2: STANDING HEIGHT

OVERVIEW

THREE60 Conference Table

⚠ All parts listed are for a single standing height table; additional parts will be needed for additional standing height table.

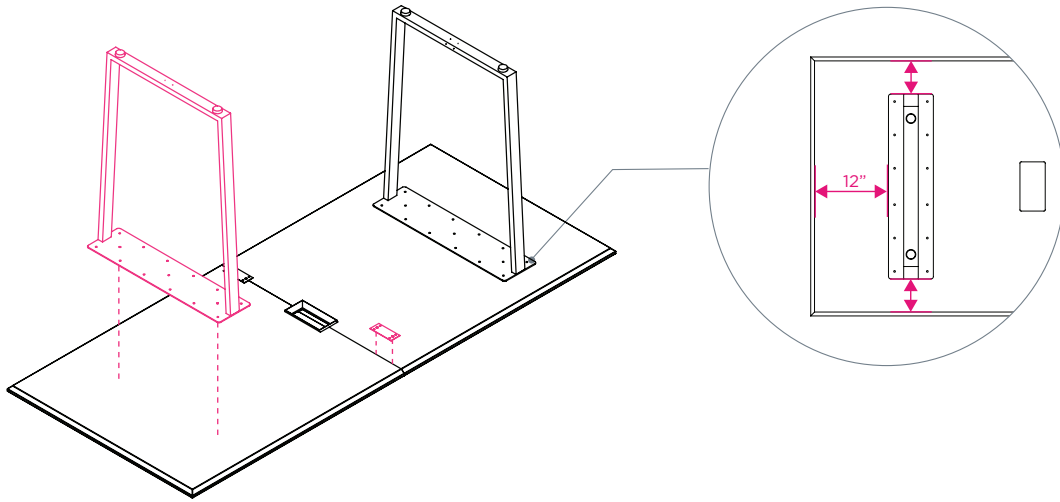
PARTS LIST

CODE	QTY	DESCRIPTION	
GCNABSH	2	Standing Height Angled Sleigh Leg	
CNS4896	1	Main Surface	
	1	In-Surface Grommet	
GCNABSHLE	2	Support Brace	
BFB1	2	Flat Brackets	

1 | PREPARE SURFACE

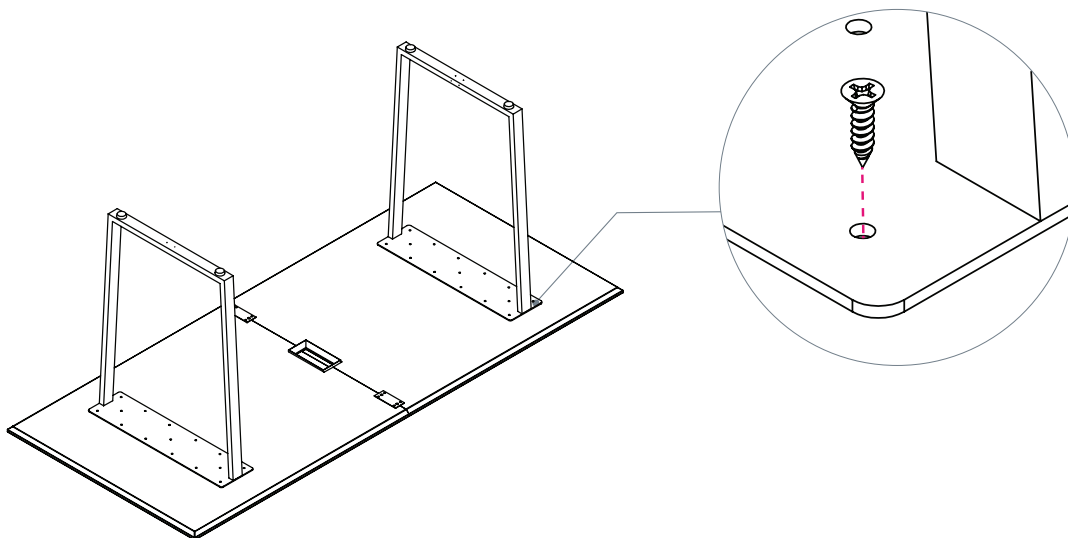
Carefully place surface upside-down on floor, a cushioned area is preferred. Measure 12" from surface edge and center-align to determine leg placement. Attach 2 flat brackets on the center seam of the table.

NOTE: Leg placement may need to be adjusted based on surface size.

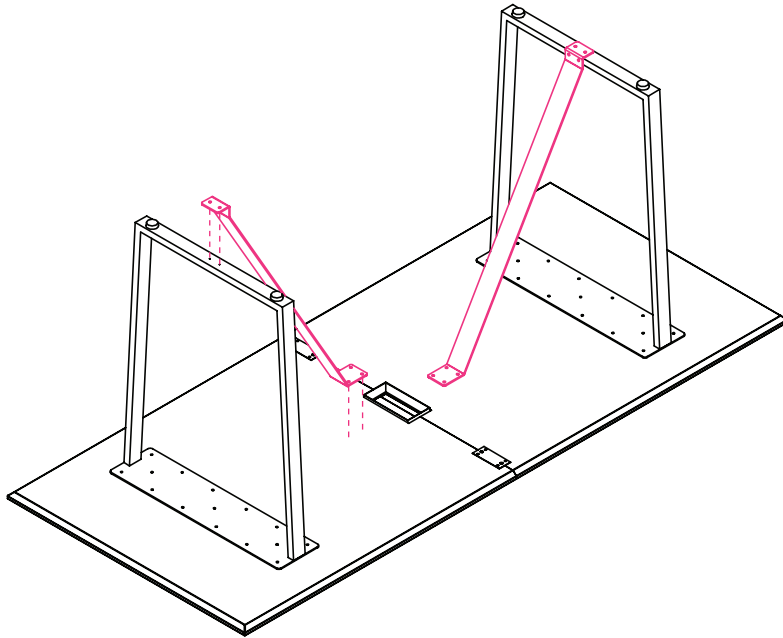


2 | INSTALL ANGLED SLEIGH LEGS

Follow measurements and insert 15 screws per leg through the metal plate and into the laminate surface.



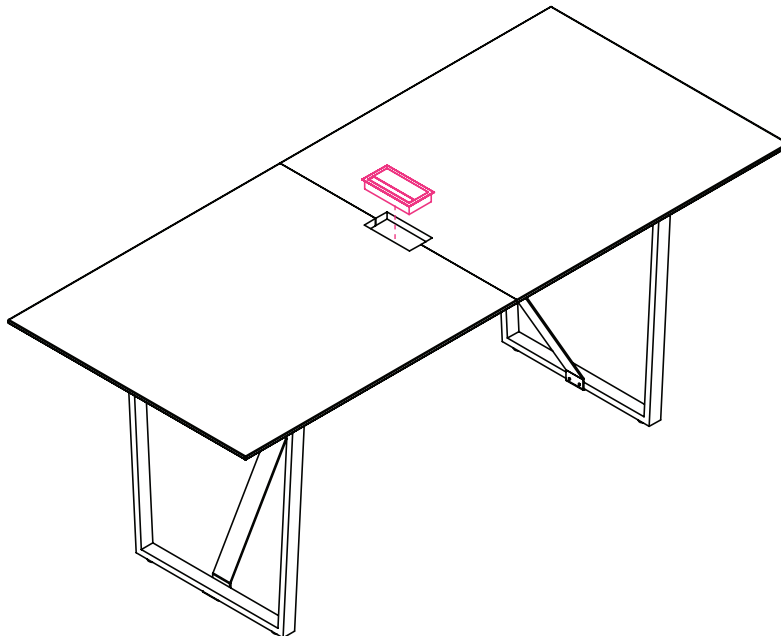
3 | INSTALL SUPPORT BRACE



4 | FLIP AND INSERT GROMMET

Insert wire management grommet.

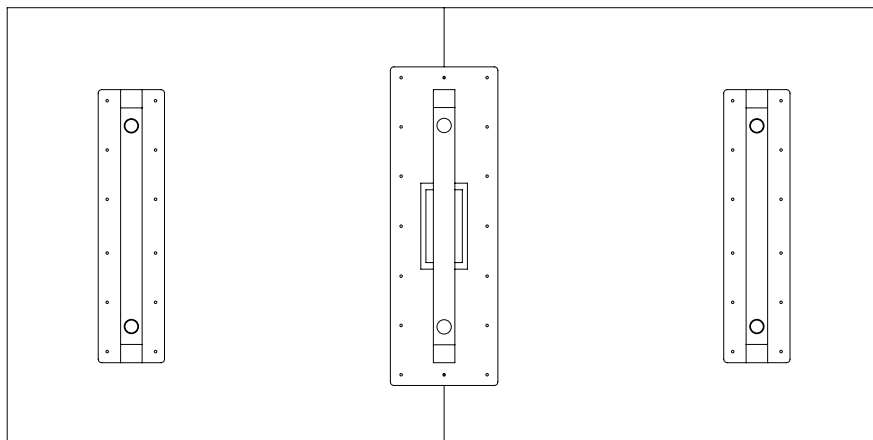
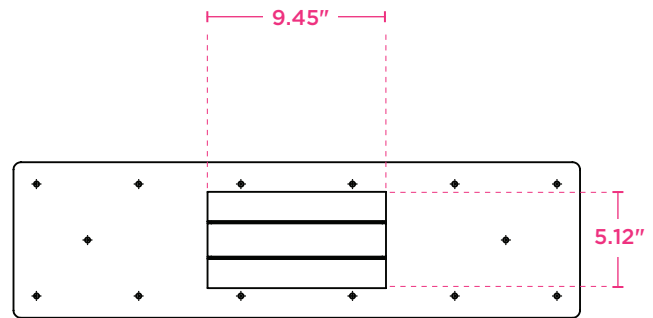
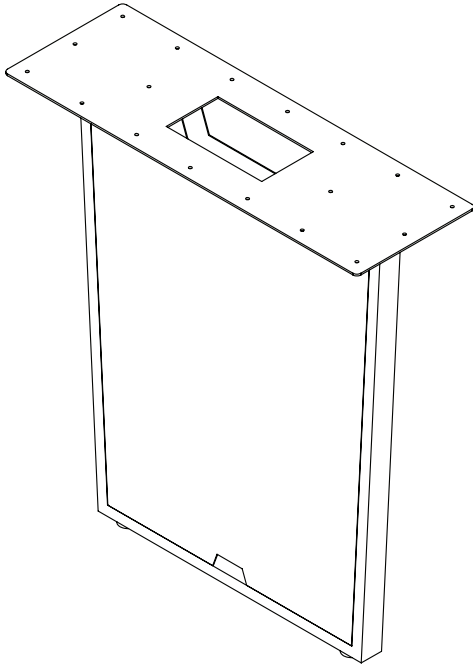
Note: See page 13 for optional covered sleigh leg. See page 15 for power module install.

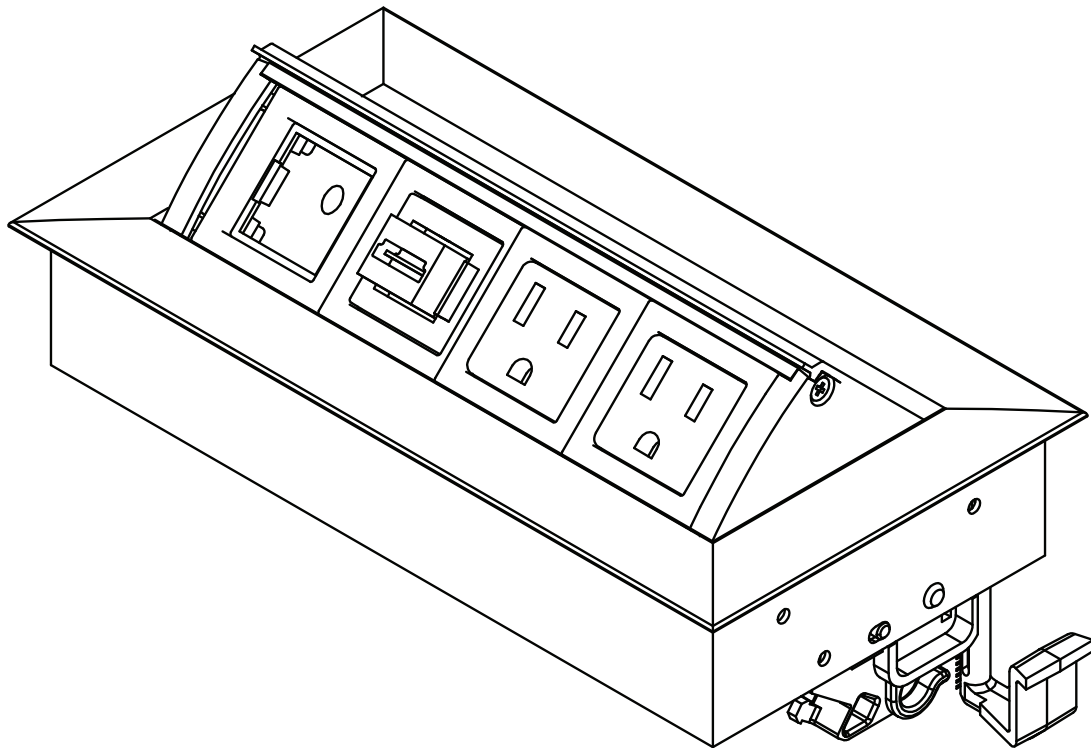


OPTIONAL COVERED SLEIGH LEG

All steps for installation are the same. However, leg will be aligned with the grommet cutout on the table.

NOTE: Covered sleigh leg is optional for wire management.


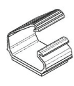





S3: OPTIONAL POWER OVERVIEW

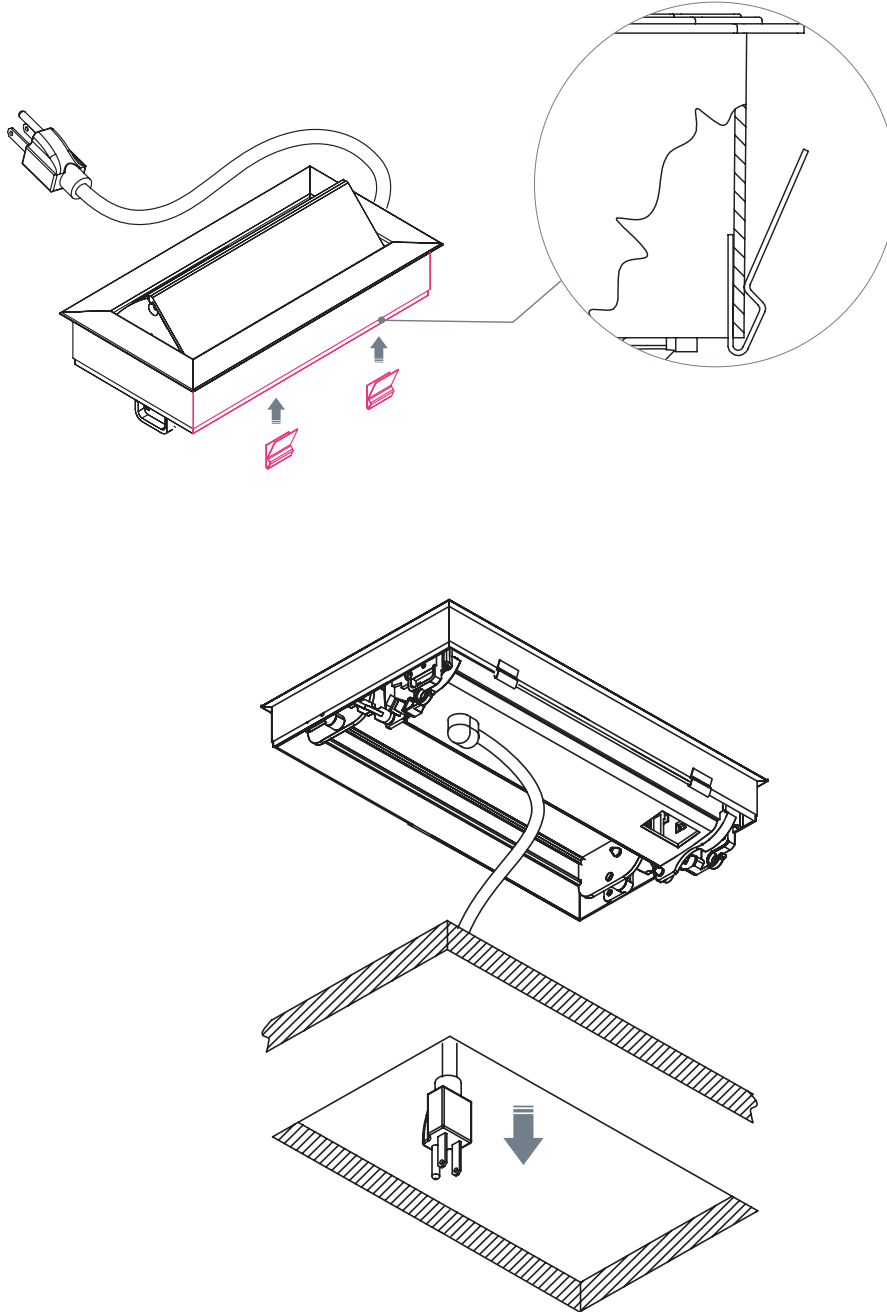
THREE60 Conference Table

PARTS LIST

CODE	QTY	DESCRIPTION	
BPCONF2V2 or BPCONF3	1	In-Surface Power Module	
JC1	5	J-Clips	
VB24	1	Cable Vertebrae	

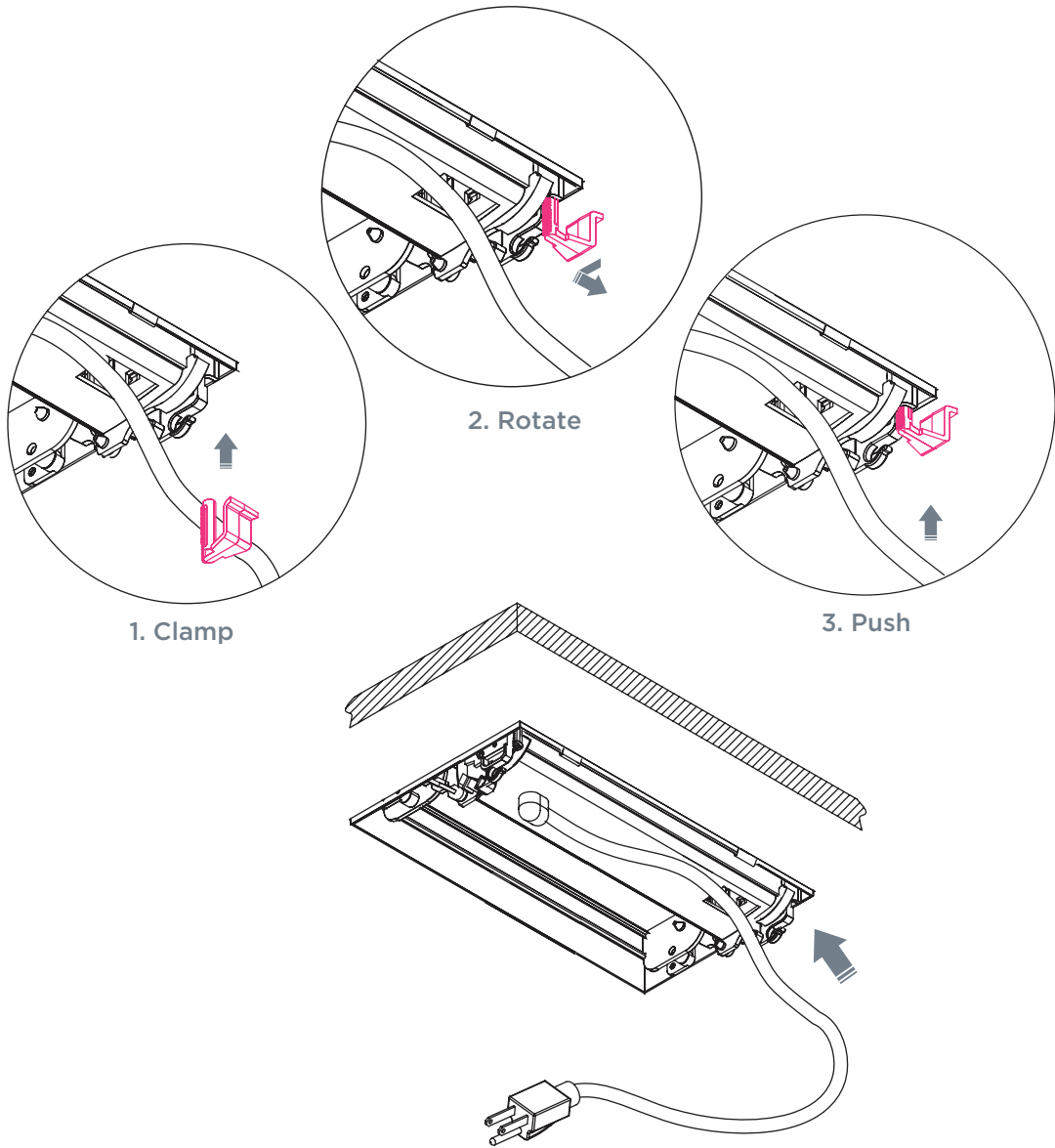
1 | ATTACH METAL CLIPS AND INSERT INTO SURFACE

Attach 2 metal clips to the back of the module base then insert into the pre-cut holes in the surface.



2 | SECURE MODULE INTO PLACE

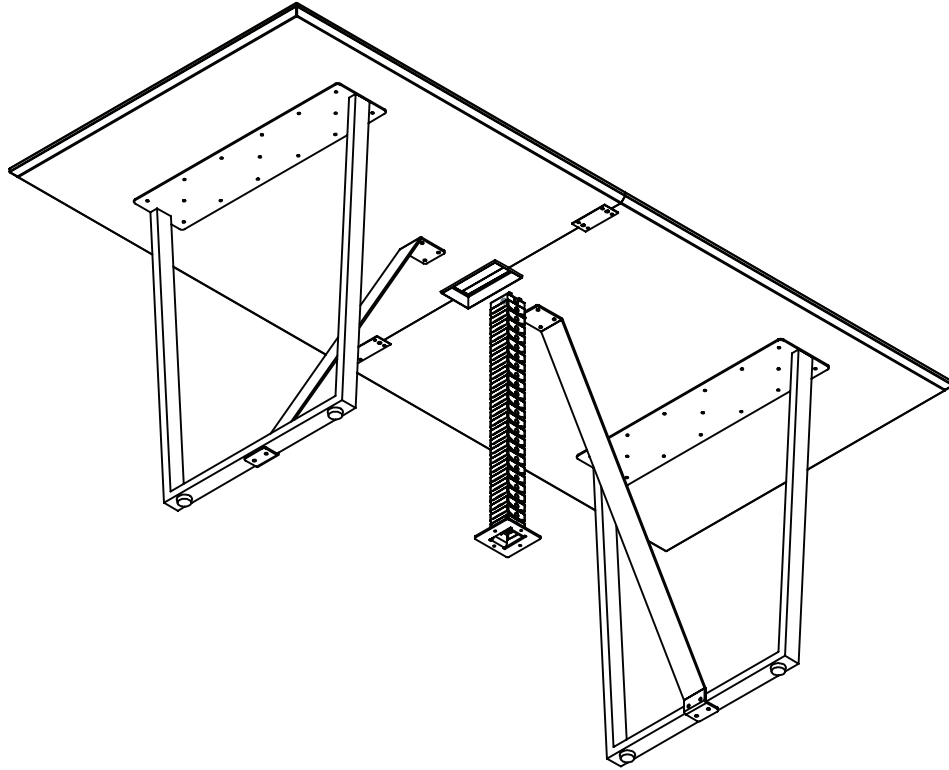
Insert the plastic clamps into the holes on the bottom of the module. Rotate and then push against the surface to clamp the module into place.



3 | OPTIONAL POWER VERTEBRAE

Attach the vertebrae to the underside of the top panel. Insert wood screws through the top bracket and into the laminate panel.

NOTE: Power vertebrae will be mounted adjacent to the power module.





CLEAR
DESIGN

Workspace made easy