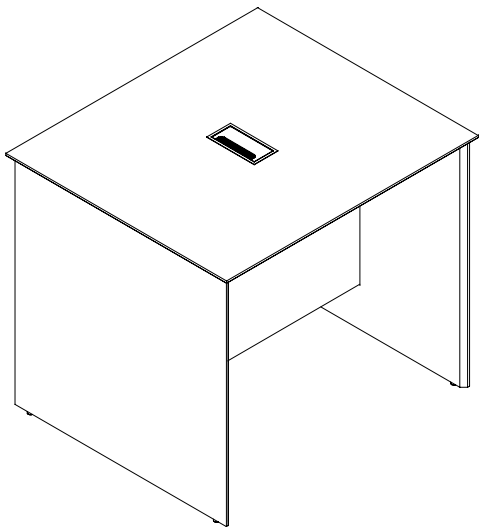


CLEAR
DESIGN

TH-3







THREE60 PARSONS

Includes Optional Power and Wire Management Install

*General Guide | See Master Plan

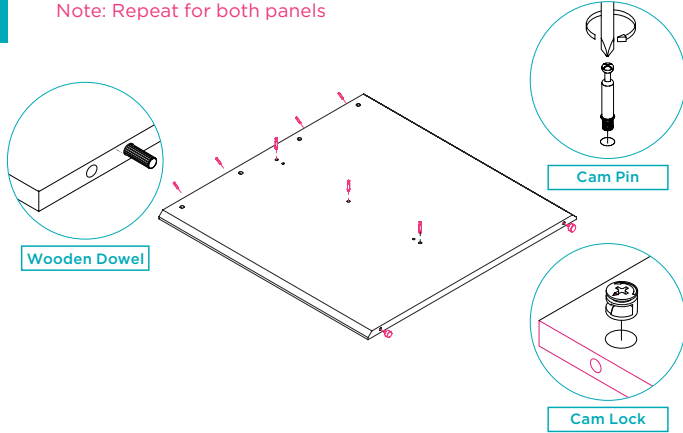
PARTS LIST

ITEM CODE	QTY	PRODUCT CODE	
KIT-CPT424	1	Top Panel	
KIT-CPT424	2	Side Panels	
KIT-CPT424	1	Modesty Panel	
CNWG	1	In-Surface Grommet	

1 | ADD HARDWARE INTO SIDE PANELS

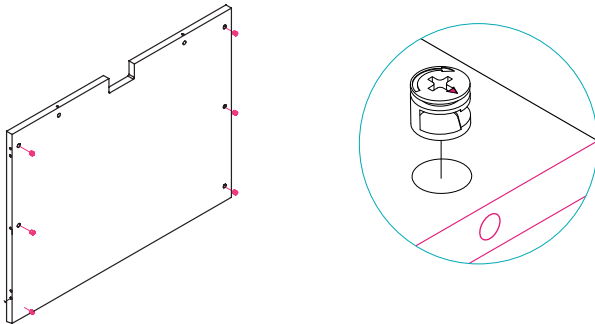
Requires 4 wooden dowels, 2 cam locks and 3 cam pins.

Note: Repeat for both panels



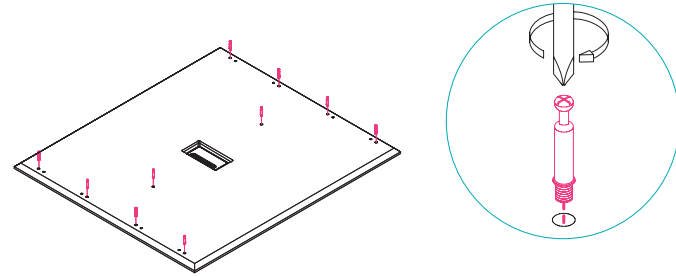
2 | ADD HARDWARE TO MODESTY PANEL

Requires 6 cam locks.



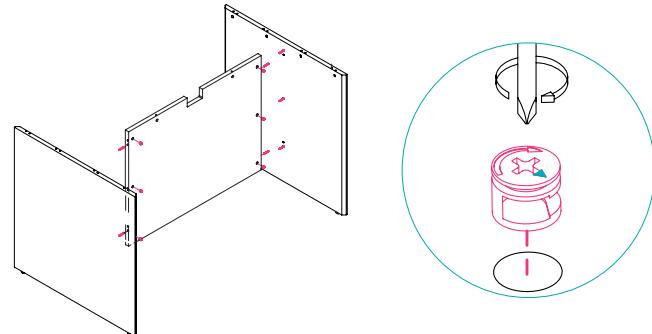
3 | ADD HARDWARE TO TOP PANEL

Requires 10 cam pins.



4 | CONNECT SIDE PANELS TO MODESTY PANEL

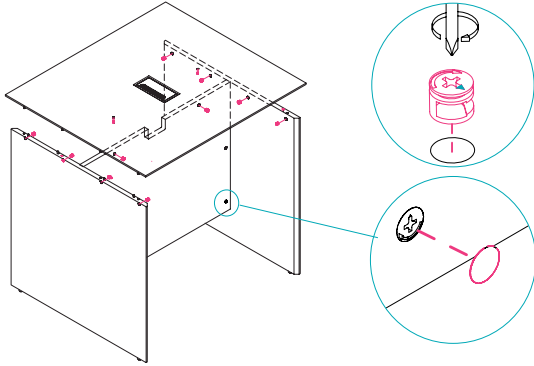
Align the cam pins on the side panels with the open cam locks on the modesty panel. Turn the cam locks with a screwdriver to lock the cam pins in place.



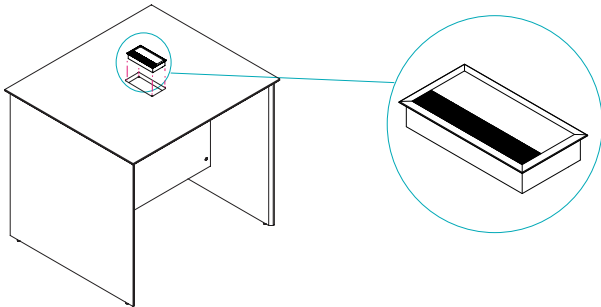
5 | CONNECT TOP PANEL

Lower top panel onto rest of assembly. Align cam pins on the top panel with the open cam locks on the modesty panel and side panels. Turn the cam locks with a screwdriver to lock the cam pins in place.

Place cam lock covers over cam locks for a polished look.






6 | INSERT EMPTY POWER GROMMET



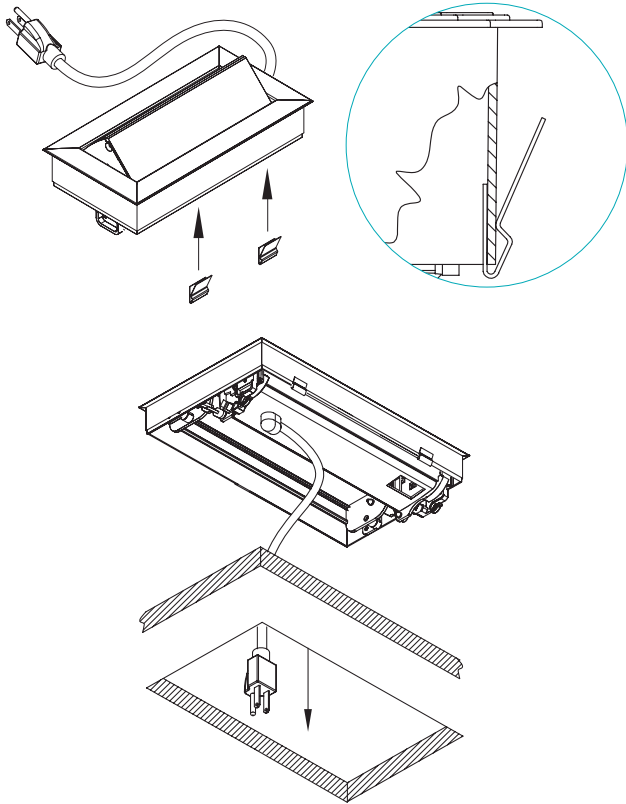
THREE60 OPTIONAL POWER

PARTS LIST

ITEM CODE	QTY	PRODUCT CODE	
BPCONF2V2 or BPCONF3	1	In-Surface Power Module	
JC1	5	J-Clips	
VB33	1	Cable Vertebrae	

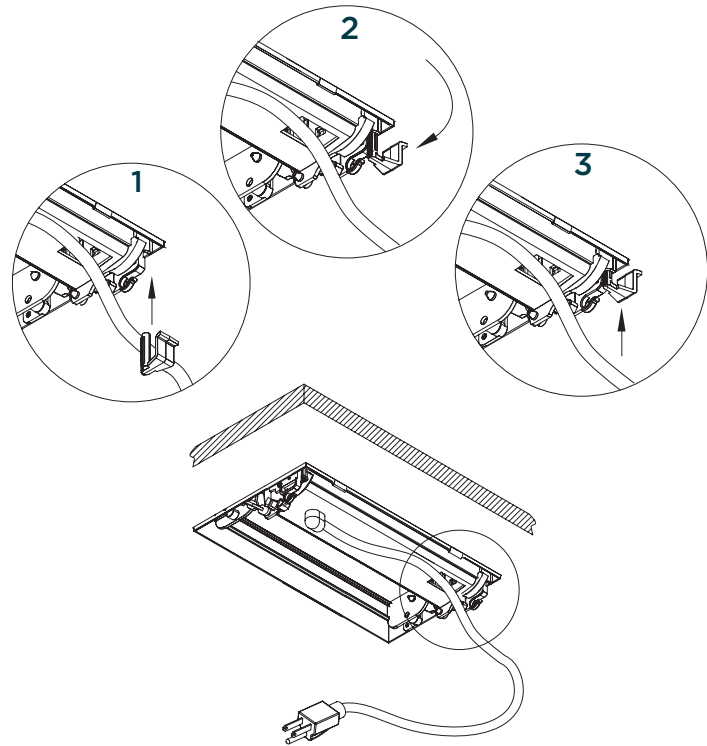
OPTIONAL POWER MODULE INSTALL

Attach 2 metal clips to the back of the module base then insert into the pre-cut holes in the surface.



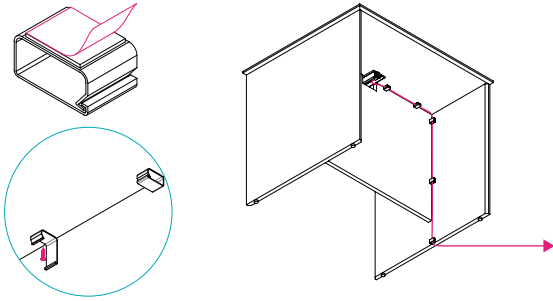
OPTIONAL POWER MODULE INSTALL

Insert the plastic clamps into the holes on the bottom of the module. Rotate and then push against the surface to clamp the module into place.



OPTIONAL POWER MANAGEMENT J-CLIPS

Remove adhesive tape and stick the j-clip to a clean dry surface.
Insert 1 woodscrew through the j-clip and into the laminate panel
for additional security..





CLEAR
DESIGN

Workspace made easy

210.648.2095 | mycleardesign.com

© 2021 Clear Design. All rights reserved.