

## Occasional Tables

Angled Post Leg & X-Base



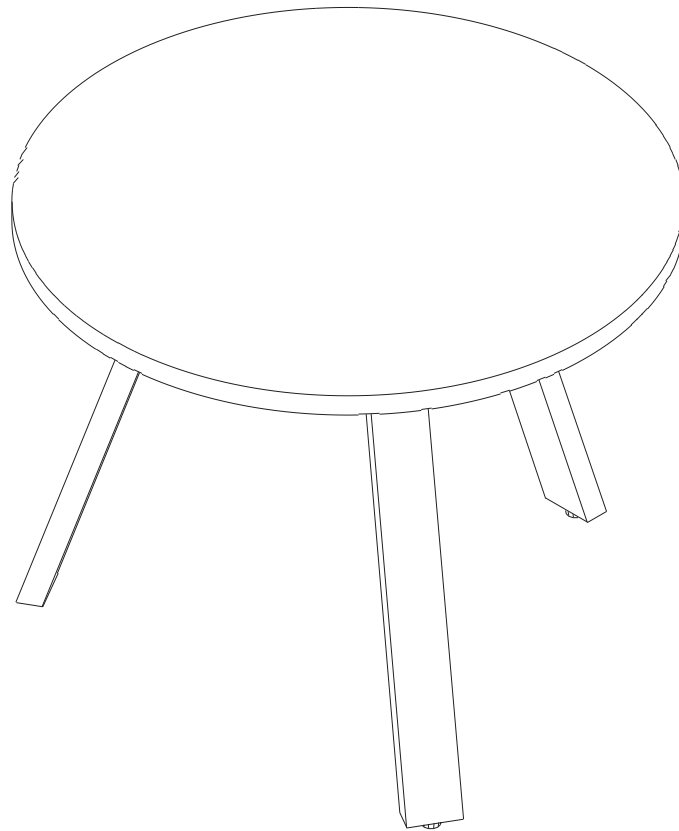
## **Edition Code**

### **Angled Post Leg**

36" Round Surface.....	3
42" Round Surface.....	4
48" Round Surface.....	5
36"x36" Squared Surface.....	6
49"x48" Squared Surface.....	7

### **X-Base**

Round Surface.....	11
Square Surface.....	12



## Angled Post Leg Tables

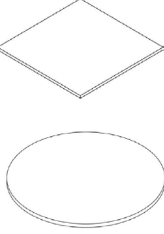
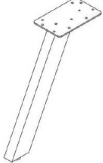
### Overview

---

Occasional Tables

**!** All parts listed are for a single table; additional parts will be needed for additional tables.

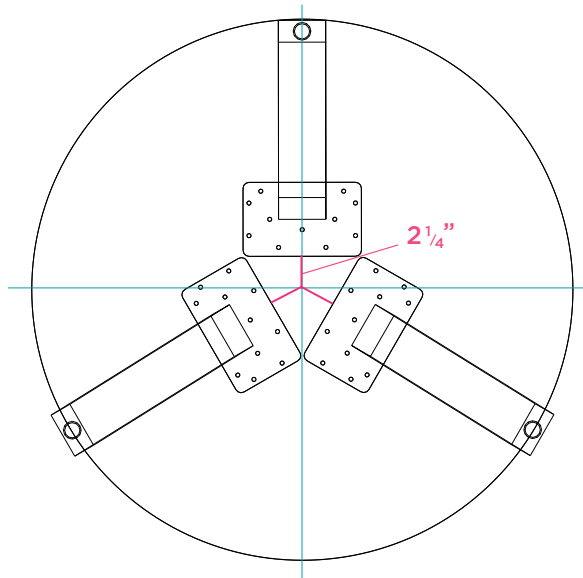
## Parts List

Code	Qty.	Description	
GB####	1	Main Surface (Round or Square)	
APL or APLSH	3 or 4*	Angled Post Leg (Sitting or Standing-Height)	

\*Tables will have 3 or 4 legs depending on surface size.

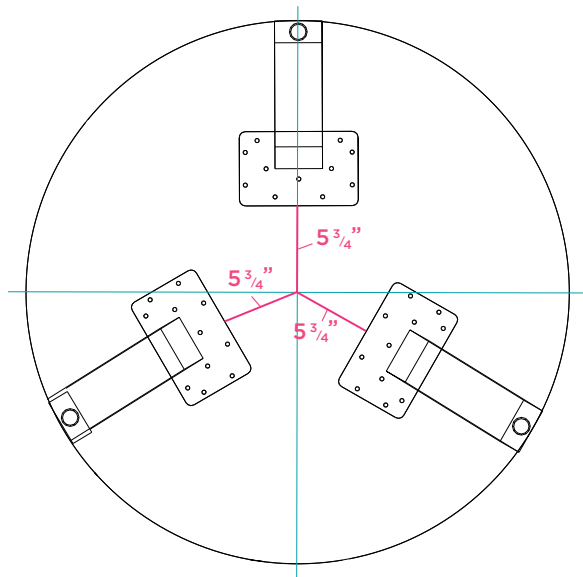
### 36" Round Sitting-Height Table

Find center of surface by measuring 18" from edge. Once found, measure 2 1/4" from center of surface to the edge of leg plate.



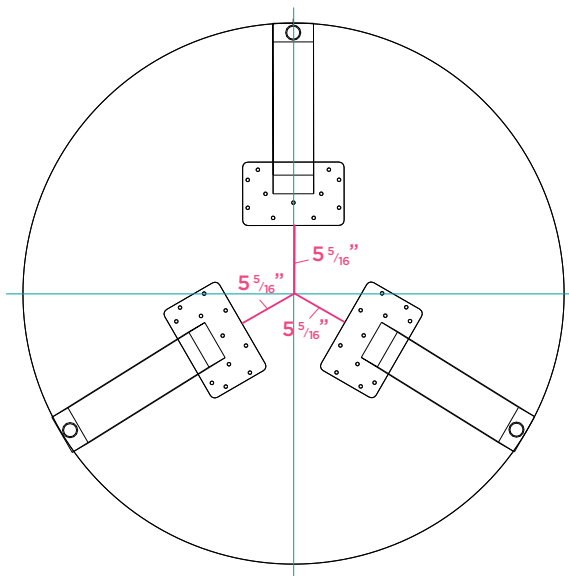
### 36" Round Standing-Height Table

Find center of surface by measuring 18" from the edge. Once found, measure 5 3/4" from center of surface to edge of leg plate.



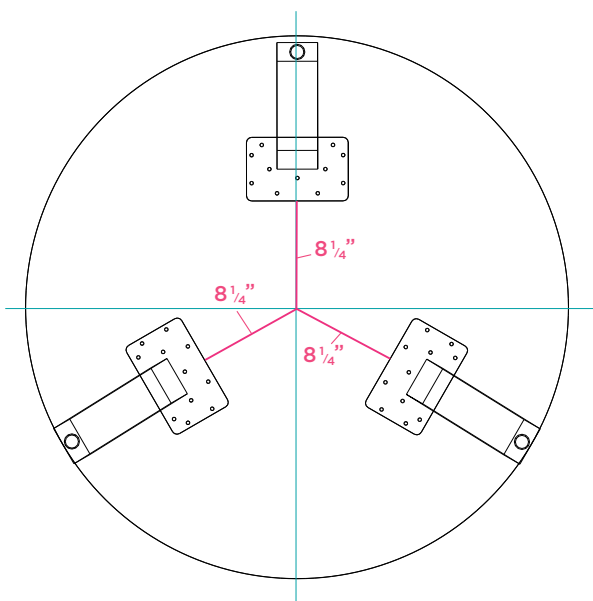
## 42" Round Sitting-Height Table

Find center of surface by measuring 21" from edge. Once found, measure  $5\frac{5}{16}$ " from center of surface to edge of leg plate.



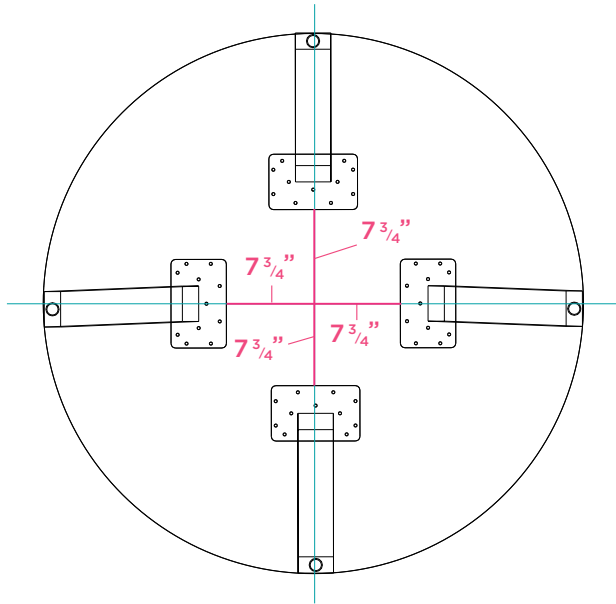
## 42" Round Standing-Height Table

Find center of surface by measuring 21" from edge. Once found, measure  $8\frac{1}{4}$ " from center of surface to edge of leg plate.



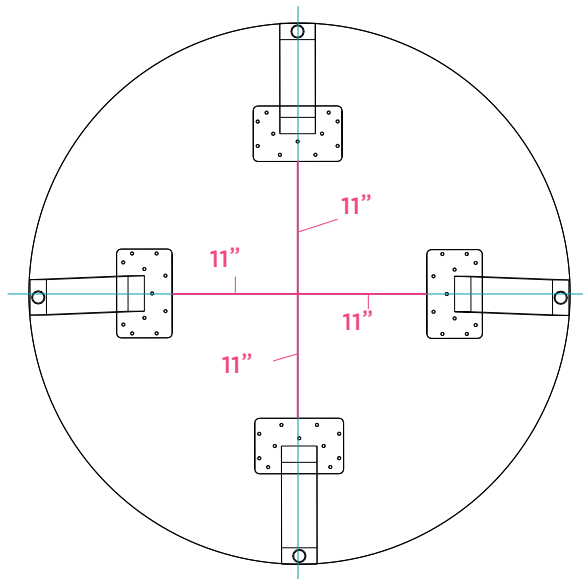
## 48" Round Sitting-Height Table

Find center of surface by measuring 24" from edge. Once found, measure  $7\frac{3}{4}$ " from center of surface to the edge of leg plate.



## 48" Round Standing-Height Table

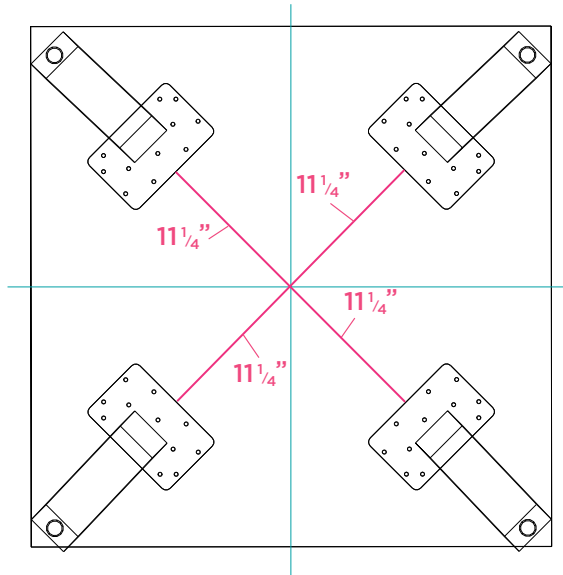
Find center of surface by measuring 24" from the edge. Once found, measure 11" from center of surface to edge of leg plate.





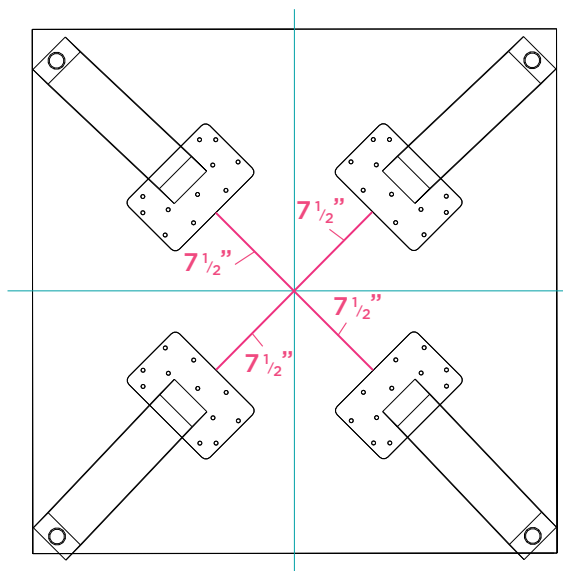
### 36" x 36" Square Sitting-Height Table

Find center of surface by measuring 18" from edge. Once found, measure 11 1/4" from center of surface to edge of leg plate.



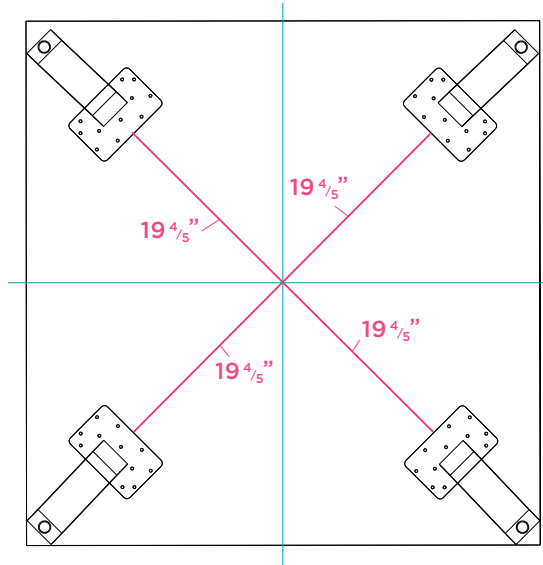
### 36" x 36" Square Standing-Height Table

Find center of surface by measuring 18" from edge. Once found, measure 7 1/2" from center of surface to edge of leg plate.



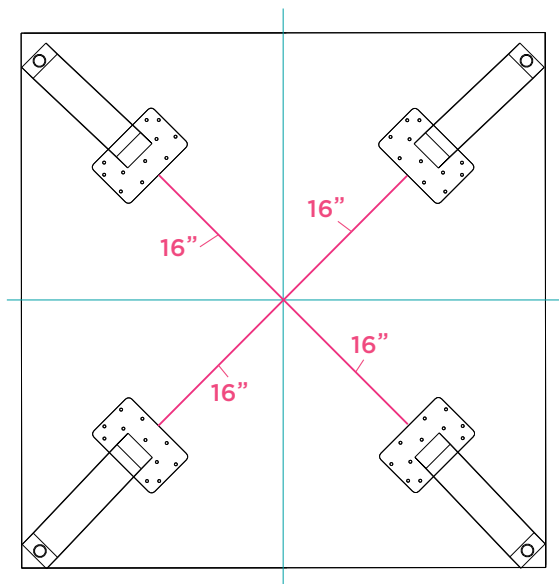
## 49" x 48" Square Sitting-Height Table

Find center of surface by measuring 24" from edge. Once found, measure  $19\frac{4}{5}"$  from center of surface to the edge of leg plate.

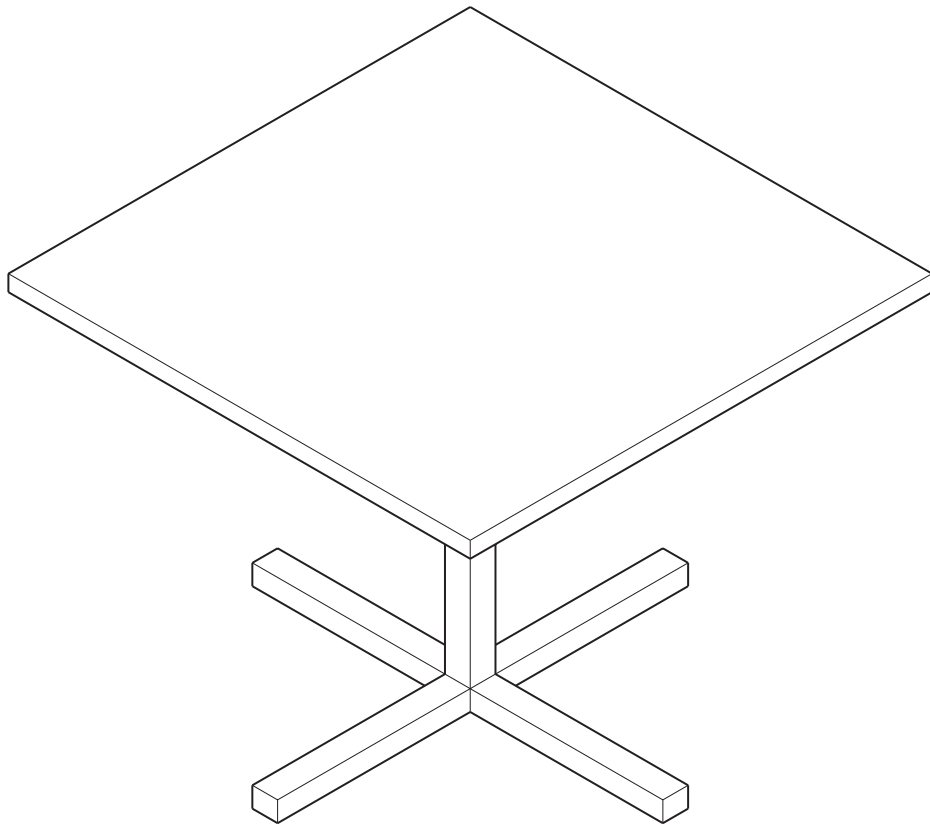


## 49" x 48" Square Standing-Height Table

Find center of surface by measuring 24" from the edge. Once found, measure 16" from center of surface to edge of leg plate.







## X-Base Tables

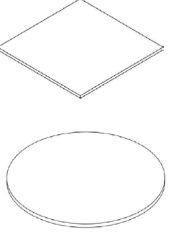
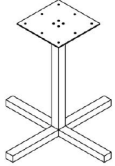
### Overview

---

Occasional Tables

**!** All parts listed are for a single table; additional parts will be needed for additional tables.

## Parts List

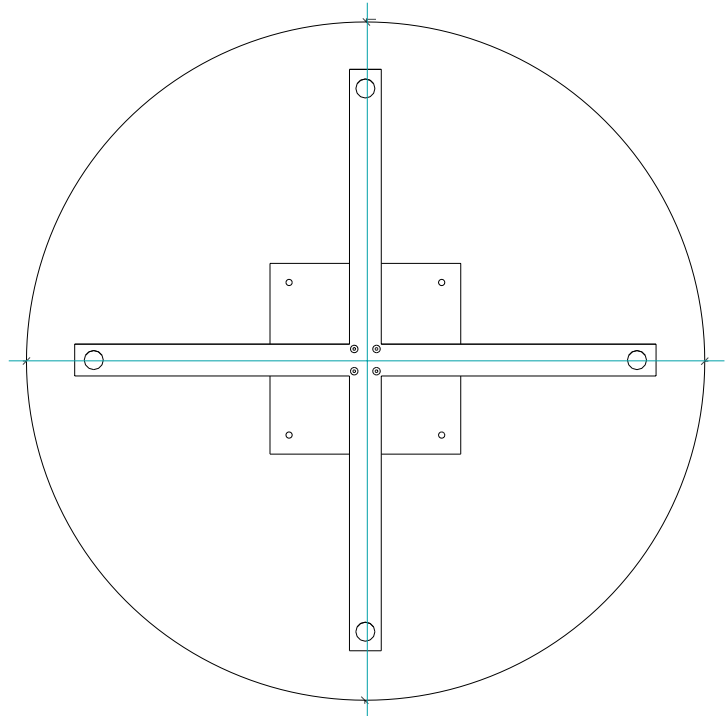
Code	Qty.	Description	
GB####	1	Main Surface (Round or Square)	
XT## or XTBH##	1	X-Base (Sitting or Standing-Height)	

\*Base will differ depending on surface size.

## Round Surface

Align X-Base to center of surface and secure plate with wood screws.

- 36" Surface Center: 18"
- 42" Surface Center: 21"
- 48" Surface Center: 24"



## Square Surface

Align X-Base to center of surface and secure plate with wood screws.

- 36"x36" Surface Center: 18"
- 49"x48" Surface Center: 24"

