

MULTIPURPOSE TABLES

Angled Post Leg & X-Base

*General Guide | See Master Plan

EDITION CODE**Angled Post Leg**

36" Round.....	4
42" Round.....	7
48" Round	9
36"x36" Square.....	11
48"x49" Square	11

Square

Round.....	4
Square.....	11

ANGLED POST LEG TABLES

PARTS LIST

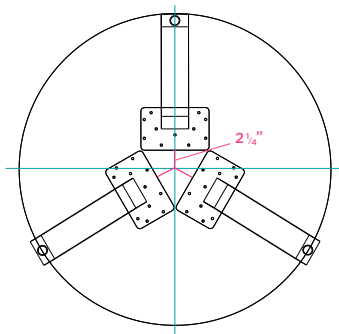


QTY	PRODUCT CODE
3-4	APL or APLSH
1	Surface

* Tables will have 3 or 4 legs depending on surface size

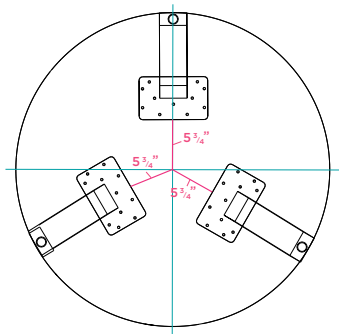
36" ROUND SITTING HEIGHT

Find the center of the surface by measuring **18"** from the edge. Once found, measure **2 1/4"** from the center of the surface to the edge of the leg plate.



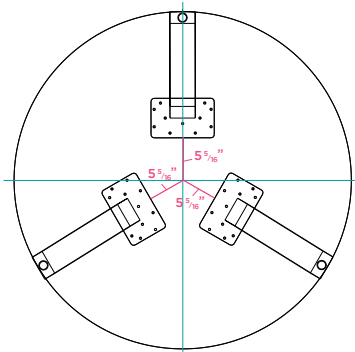
36" ROUND STANDING HEIGHT

Find the center of the surface by measuring **18"** from the edge. Once found, measure **5 3/4"** from the center of the surface to the edge of the leg plate.



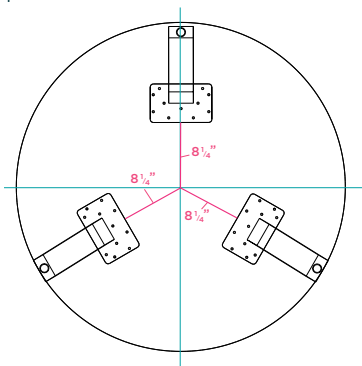
42" ROUND SITTING HEIGHT

Find the center of the surface by measuring **21"** from the edge. Once found, measure **$5 \frac{5}{16}"$** from the center of the surface to the edge of the leg plate.



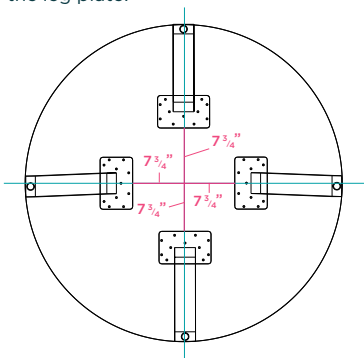
42" ROUND STANDING HEIGHT

Find the center of the surface by measuring **21"** from the edge. Once found, measure **$8 \frac{1}{4}"$** from the center of the surface to the edge of the leg plate.



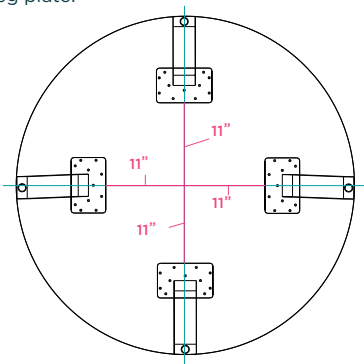
48" ROUND SITTING HEIGHT

Find the center of the surface by measuring **24"** from the edge. Once found, measure **7 ³/₄"** from the center of the surface to the edge of the leg plate.



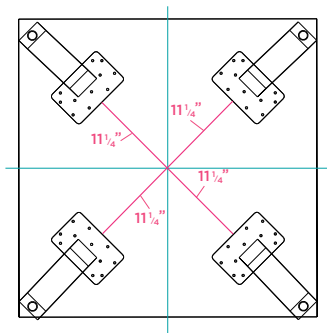
48" ROUND STANDING HEIGHT

Find the center of the surface by measuring **24"** from the edge. Once found, measure **11"** from the center of the surface to the edge of the leg plate.



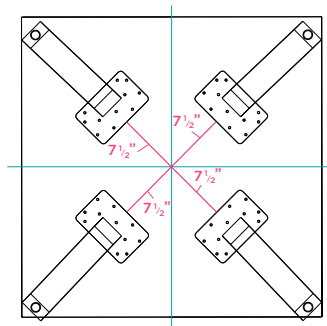
36"X36" SQUARE SITTING HEIGHT

Find the center of the surface by measuring **18"** from the edge. Once found, measure **11 1/4"** from the center of the surface to the edge of the leg plate.



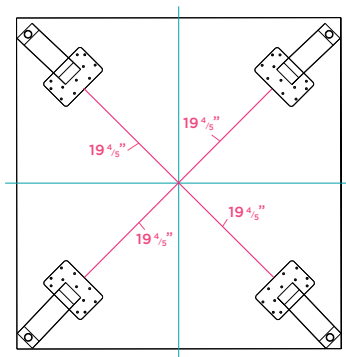
36"X36" SQUARE STANDING HEIGHT

Find the center of the surface by measuring **18"** from the edge. Once found, measure **7 1/2"** from the center of the surface to the edge of the leg plate.



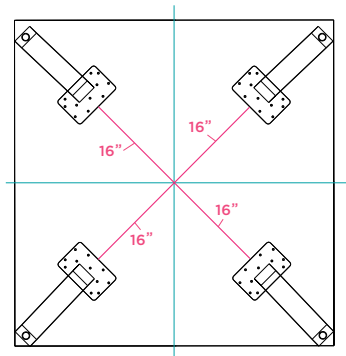
49"X48" SQUARE SITTING HEIGHT

Find the center of the surface by measuring **24"** from the edge.
Once found, measure **19 ⁴/₅"** from the center of the surface to the edge of the leg plate.



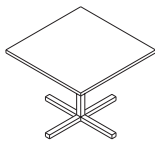
49"X48" SQUARE STANDING HEIGHT

Find the center of the surface by measuring **24"** from the edge.
Once found, measure **16"** from the center of the surface to the edge of the leg plate.



X-BASE TABLES

PARTS LIST



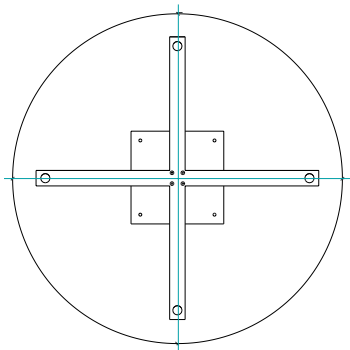
QTY	PRODUCT CODE
1	X-Base (XT28, XT32, XT36, XT38, XTBH32)
1	Surface

* Base will differ depending on surface size

ROUND SURFACE

Align X-Base to the center of the surface and secure plate with wood screws

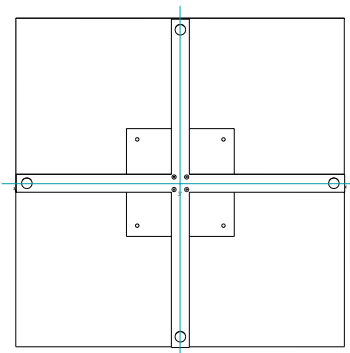
- 36" surface center: 18"
- 42" surface center: 21"
- 48" surface center: 24"



SQUARE SURFACE

Align X-Base to the center of the surface and secure plate with wood screws

- 36"x36" surface center: 18"
- 49"x48" surface center: 24"





CLEAR
DESIGN

Workspace made easy

210.648.2095 | mycleardesign.com

© 2021 Clear Design. All rights reserved.