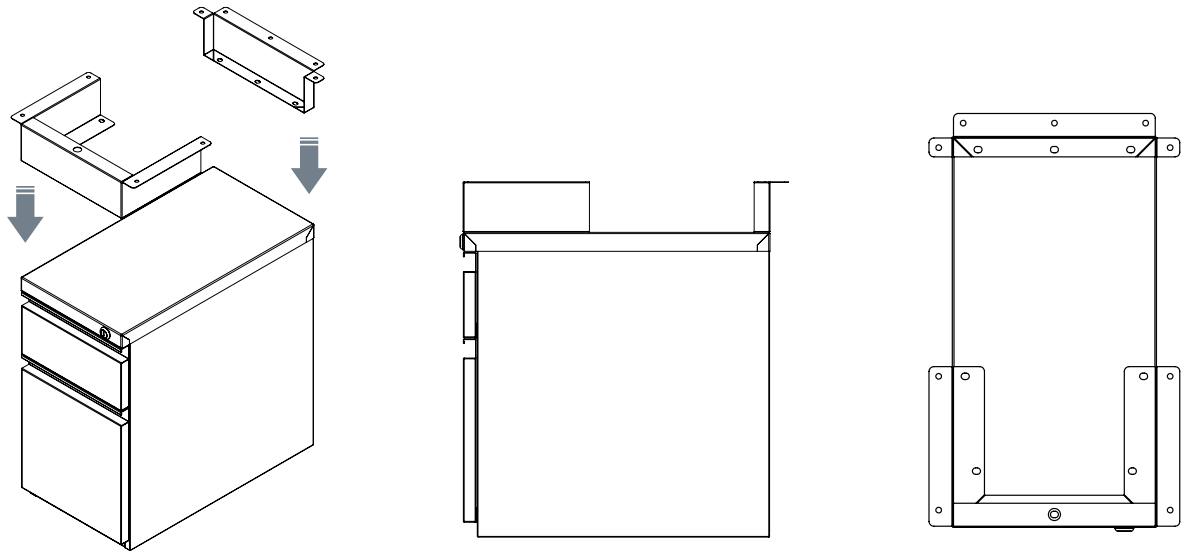


# Slim Pedestal Bracket

Under-Surface Mounting

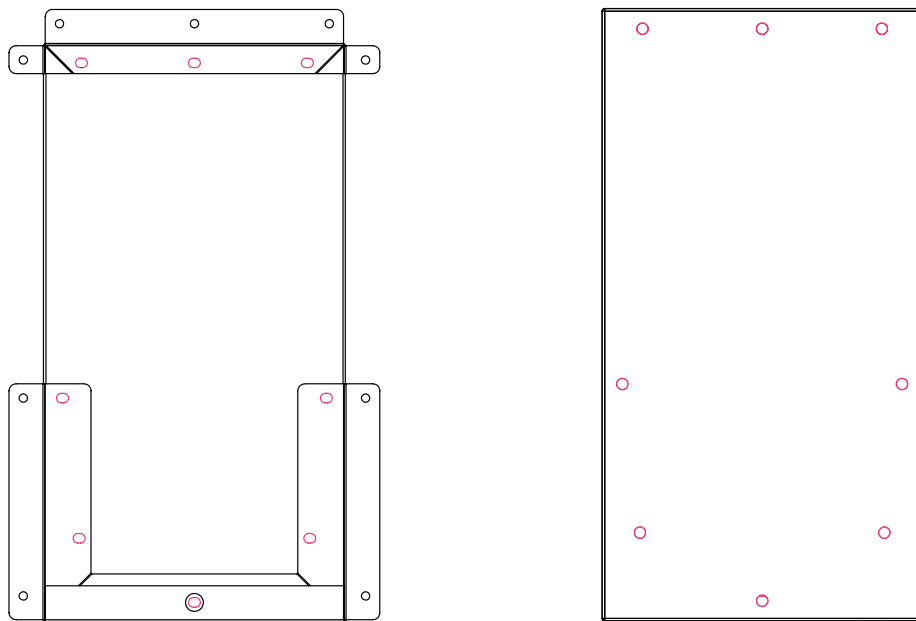
## 1 | Align Brackets with Pedestal Top

Place brackets on top of pedestal and align flush with all top edges of pedestal.



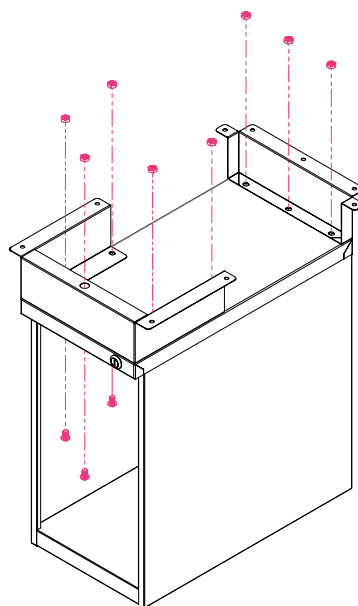
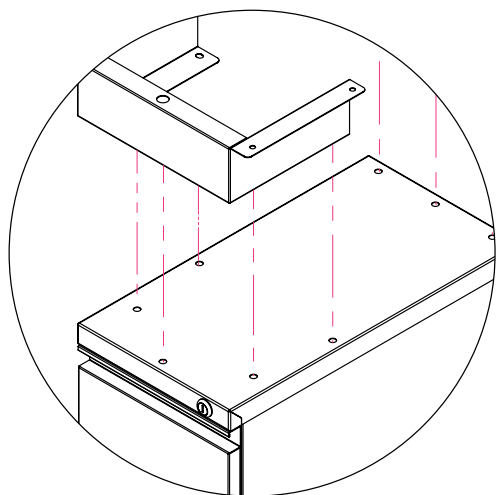
## 2 | Mark Hole Positions

Once brackets are aligned, mark each hole position with a marker. Remove brackets and drill 7mm holes at each marked location.



### 3 | Connect Brackets to Pedestal

Remove drawers from pedestal and align two brackets with pre-drilled holes on top. Insert provided screws from inside up through top of pedestal, and secure with nuts.



### 4 | Connect Unit to Workstation

Align pedestal to desired position underneath work surface, and secure with provided wood screws.

**NOTE:** Desk's center beam will run between two pedestal brackets.

