

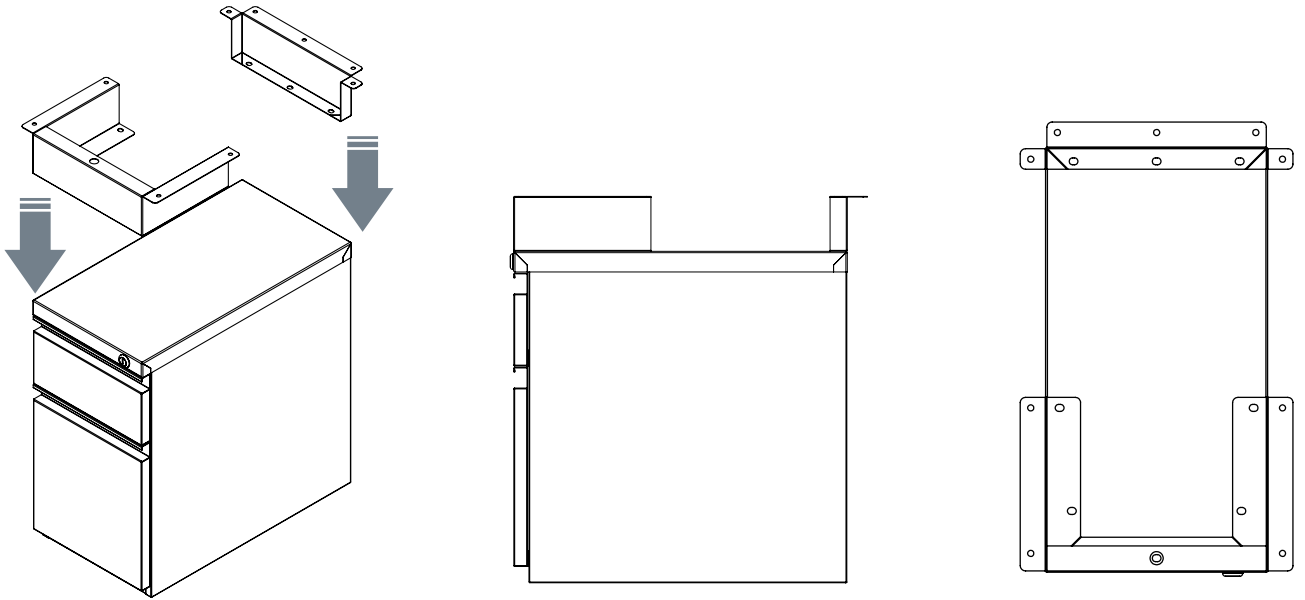
CLEAR
DESIGN

SLIM PEDESTAL

Under-Surface Mounting Installation Instructions

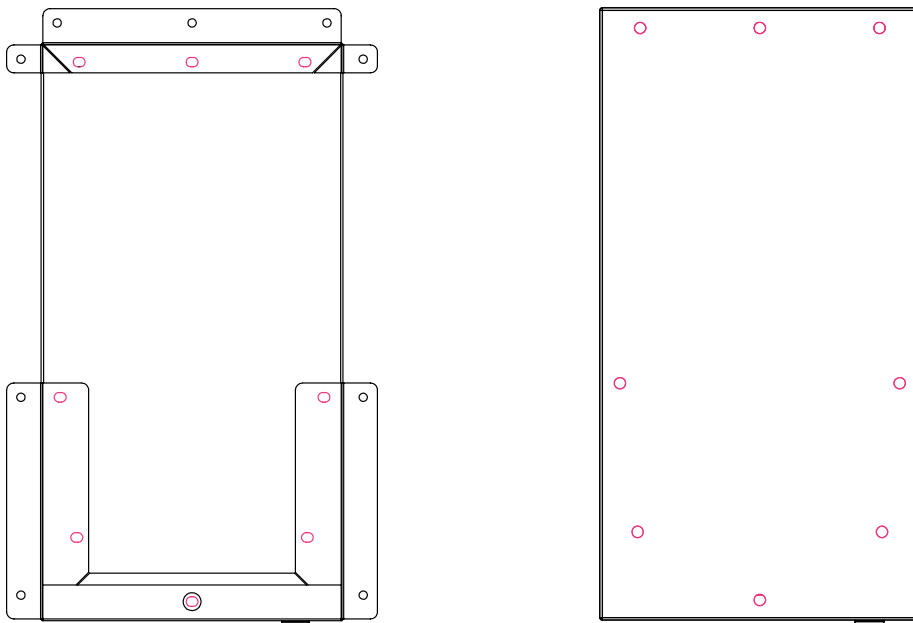
1 | ALIGN BRACKETS WITH PEDESTAL TOP

Place brackets on top of the pedestal and align flush with all top edges of the pedestal.



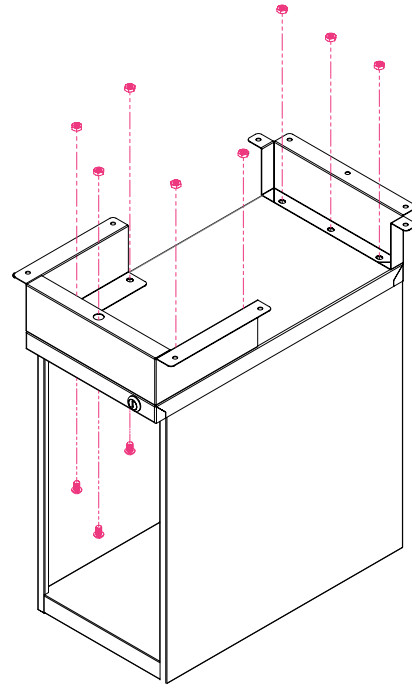
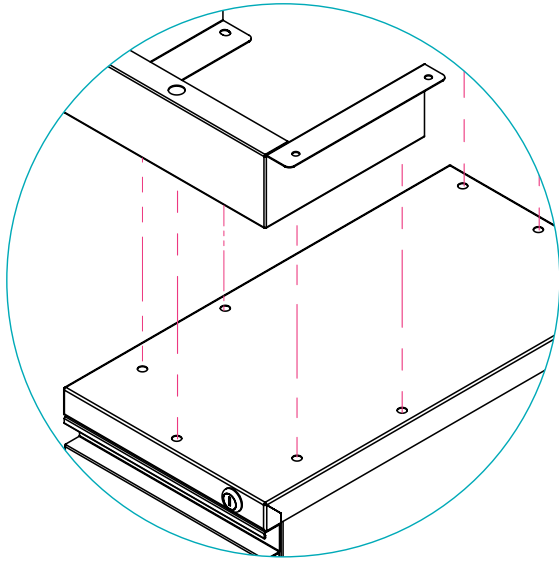
2 | MARK HOLE POSITIONS

Once brackets are aligned, mark each hole position with a marker. Remove brackets and drill **7mm** holes at each marked location.



3 | CONNECT BRACKETS TO PEDESTAL

Remove drawers from pedestal and align the two brackets with the pre-drilled holes on top. Insert provided screws from inside up through top of the pedestal, and secure with nuts.



4 | CONNECT UNIT TO WORKSTATION

Align pedestal to desired position underneath worksurface, and secure with provided wood screws.

Note: The desk's center beam will run between the two pedestal brackets.

