

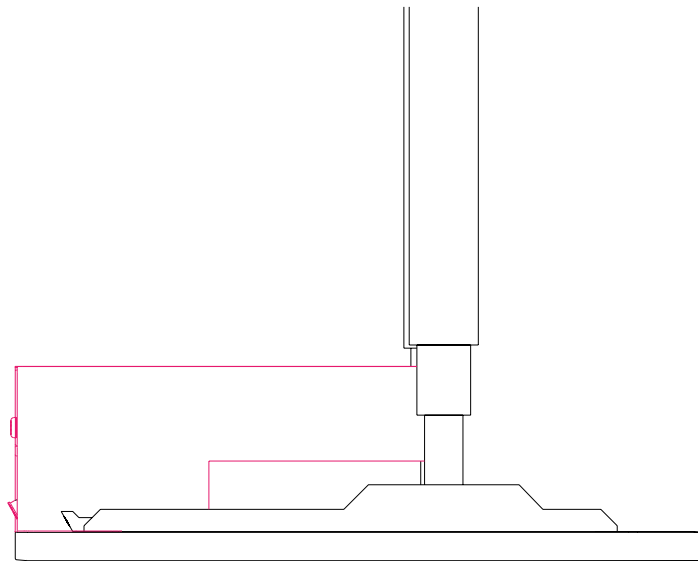
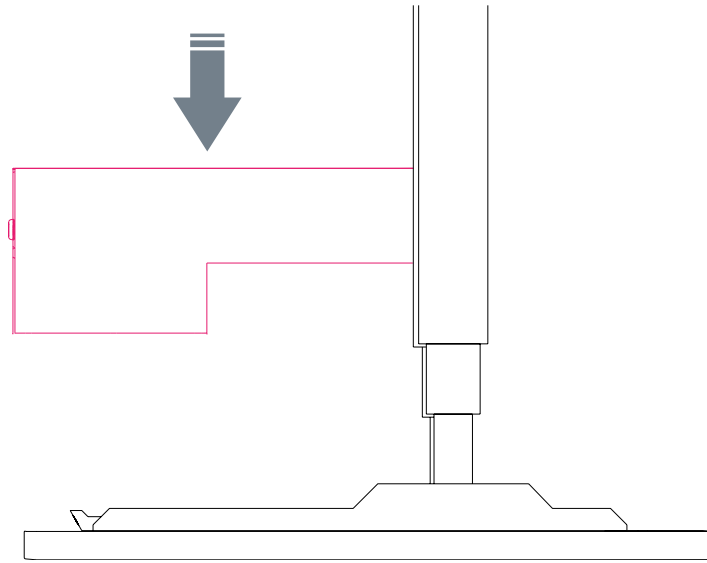
Personal Storage Drawer

Under-Surface Mounting

1 | Align Storage Drawer

Choose left or right side of workstation to install storage drawer. Align front of drawer to edge of workstation surface.

NOTE: For Height-Adjustable Workstations: Drawer will be placed on inside of leg of workstation where back of drawer is free of obstruction.



2 | Secure to Workstation

Using 6 wood screws, secure drawer to underside of surface.

NOTE: Placement may vary due to size and type of workstation.

