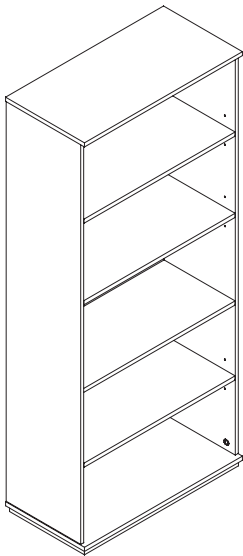


CLEAR
DESIGN

KIT-BLBC72







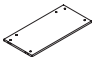


LAMINATE BOOKCASE

Includes: **Optional Locking Door (BLBCD) Add-on**

*General Guide | See Master Plan

BOOKCASE

PARTS LIST

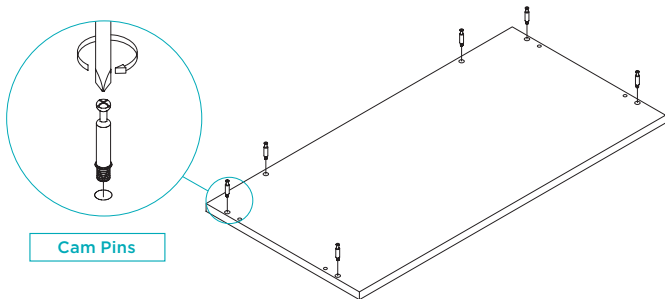
ITEM CODE	QTY	PRODUCT CODE	
KIT-BLBC72	1	Top Panel	
KIT-BLBC72	1	Bottom Panel	
KIT-BLBC72	2	Side Panels	
KIT-BLBC72	1	Back Panel	
KIT-BLBC72	1	Fixed Shelf	
KIT-BLBC72	3	Adjustable Shelves	
Optional	1	BLBCD (set of 2 doors)	

NOTE: Bookcase will come in 2 boxes

1 | INSERT HARDWARE INTO TOP PANEL

Insert hardware into the predrilled holes as shown below. Requires:

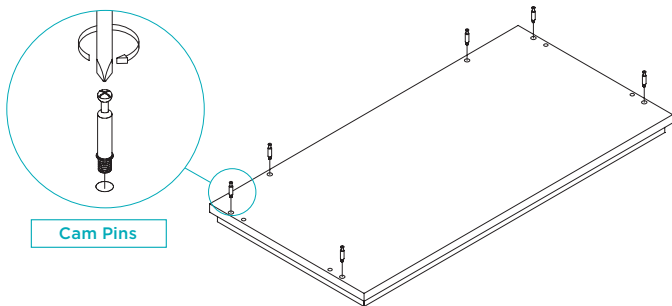
- 6 Cam Pins



2 | INSERT HARDWARE INTO BOTTOM PANEL

Insert hardware into the predrilled holes as shown below. Requires:

- 6 Cam Pins

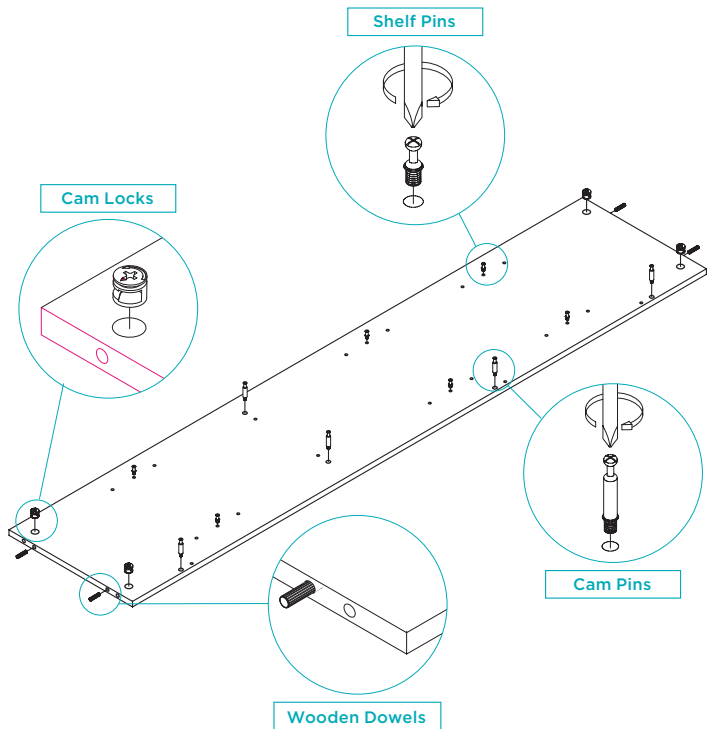


3 | INSERT HARDWARE INTO BOTH SIDE PANELS

Insert hardware into the predrilled holes as shown below. Requires:

- 5 Cam Pins
- 6 Shelf Pins
- 4 Wooden Dowels
- 4 Cam Locks

NOTE: Repeat steps for both panels.

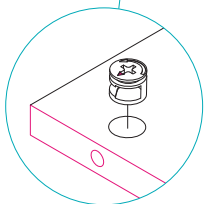
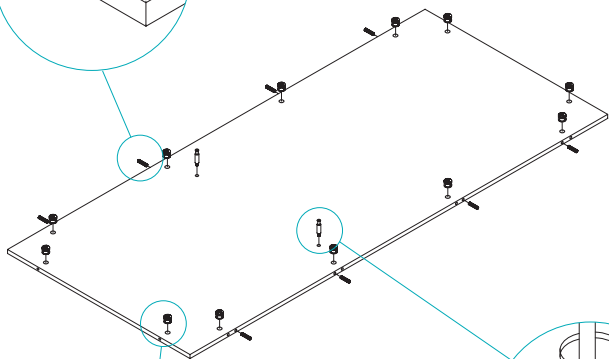
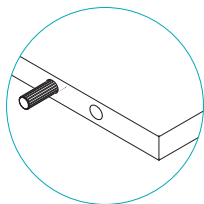


4 | INSERT HARDWARE INTO BACK PANEL

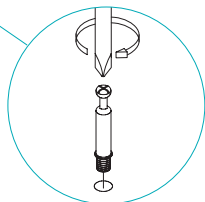
Insert hardware into the predrilled holes as shown below. Requires:

- 2 Cam Pins
- 8 Wooden Dowels
- 12 Cam Locks

Wooden Dowels



Cam Locks

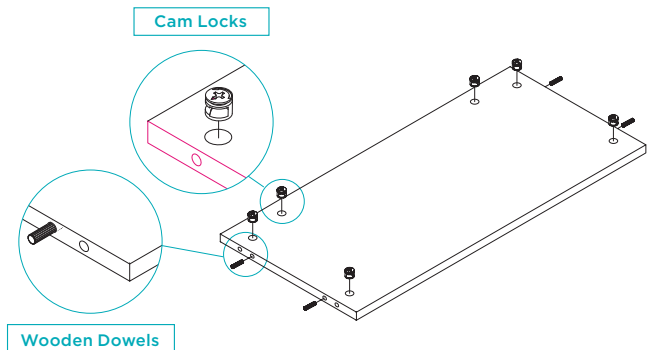


Cam Pins

5 | INSERT HARDWARE INTO FIXED SHELF

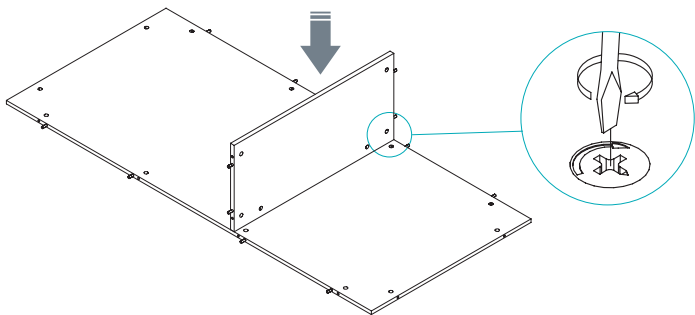
Insert hardware into the predrilled holes as shown below. Requires:

- 4 Wooden Dowels
- 8 Cam Locks



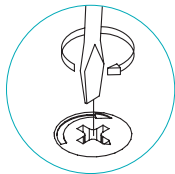
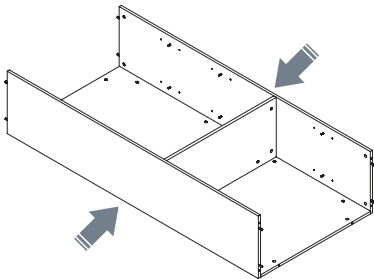
6 | SECURE FIXED SHELF TO BACK PANEL

Align the Cam Pins on the back panel with the open Cam Locks on the fixed shelf pane. Turn the Cam Locks with a screwdriver to lock the Cam Pins in place.



7 | SECURE 2 SIDE PANELS

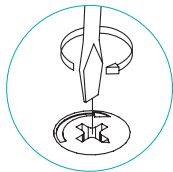
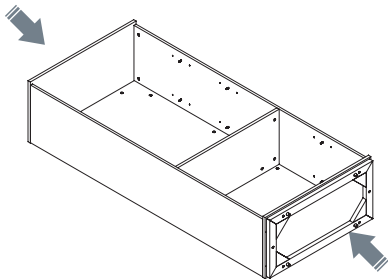
Align the 12 Cam Pins on the side panels with the 12 open Cam Locks on the assembled back panel and shelf. Turn the Cam Locks with a screwdriver to lock the Cam Pins in place.



8 | SECURE TOP AND BOTTOM PANELS

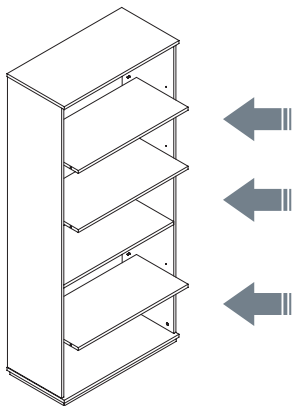
Align the 6 Cam Pins on the top panel with the 6 open Cam Locks on side and back panels. Turn the Cam Locks with a screwdriver to lock the Cam Pins in place.

NOTE: Repeat steps for bottom panel

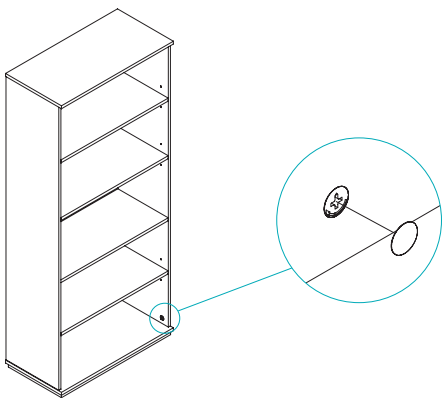


9 | INSERT SHELVES

Place and secure remaining 3 shelves onto shelf pins.



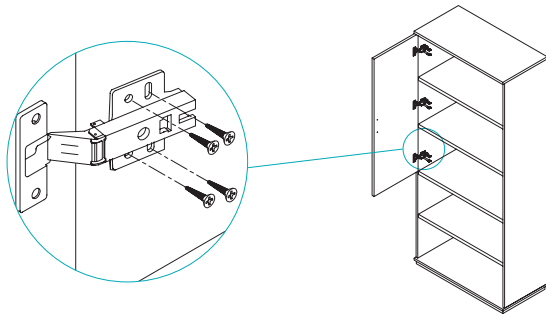
10 | 5 | PLACE CAM LOCK COVERS



OPTIONAL: 1 | PLACE FIRST DOOR

Choose door placement then insert 4 wood screws through each door hinge and into the bookcase side panel.

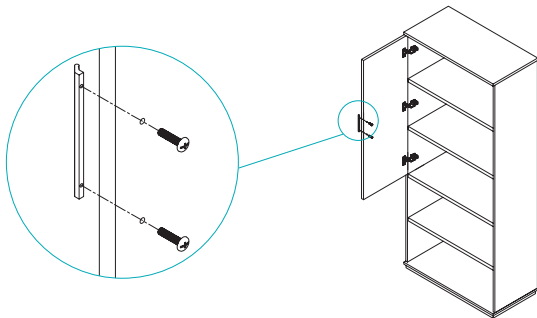
NOTE: Repeat steps for second door.



OPTIONAL: 2 | SECURE DOOR HANDLE

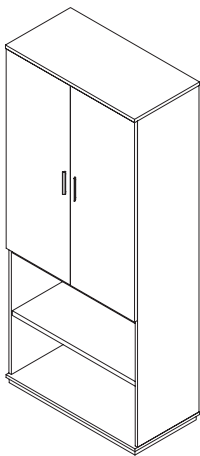
Using 2 wood screws, drive screws through door panel and into back of handle.

NOTE: Repeat steps for second door.



OPTIONAL: FINAL

Double check that all hardware is tightened.





CLEAR
DESIGN

Workspace made easy

210.648.2095 | mycleardesign.com

© 2021 Clear Design. All rights reserved.