

Laminate Bookcase

Includes Add-Ons: **A1**

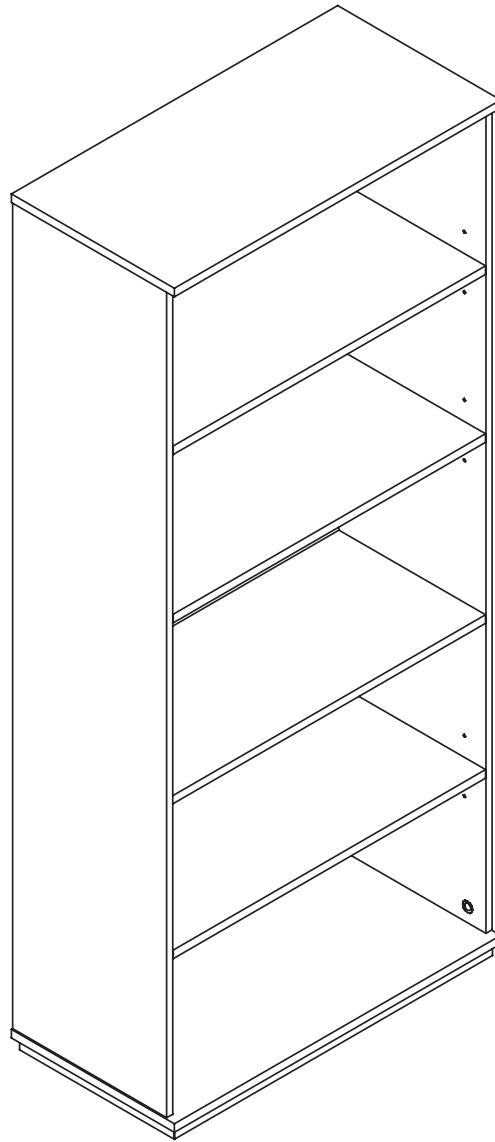
General Installation Guide

Edition Code

KIT-BLBC72 :: Laminate Bookcase..... 1

Add-ons

A1 :: Locking Doors..... 9



Bookcase

Overview

Laminate Bookcase

! All parts listed are for a laminate bookcase; additional parts will be needed for additional bookcases.

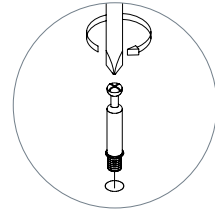
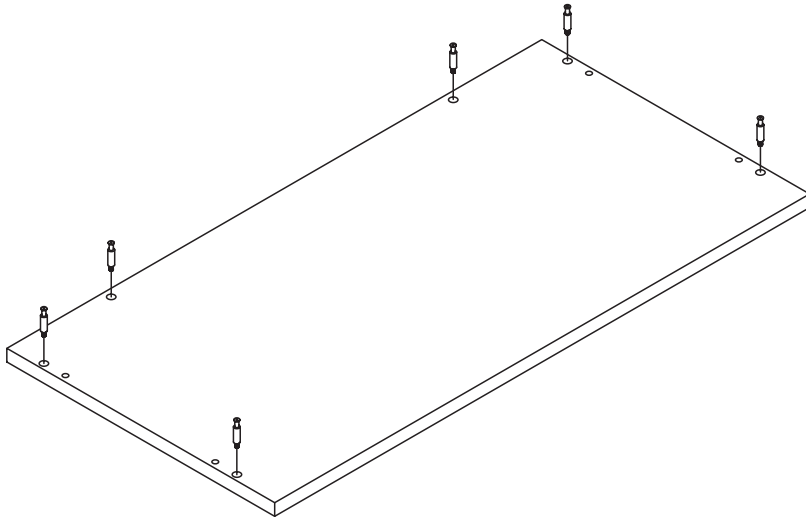
Parts List

Code	Qty.	Description	
KIT-BLBC72	1	Top Panel	
	1	Bottom Panel	
	2	Side Panels	
	1	Back Panel	
	1	Fixed Shelf	
	3	Adjustable Shelves	

NOTE: Bookcase comes in 2 boxes.

1 | Insert Hardware into Top Panel

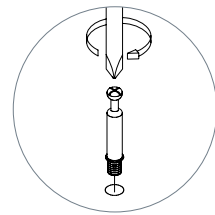
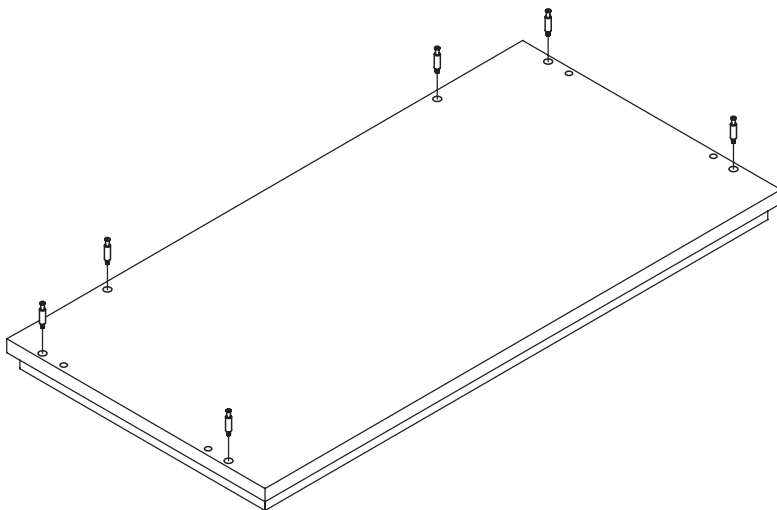
Insert hardware into pre-drilled holes as shown below. Requires 6 cam pins.



Cam Pin

2 | Insert Hardware into Bottom Panel

Insert hardware into pre-drilled holes as show below. Requires 6 cam pins.

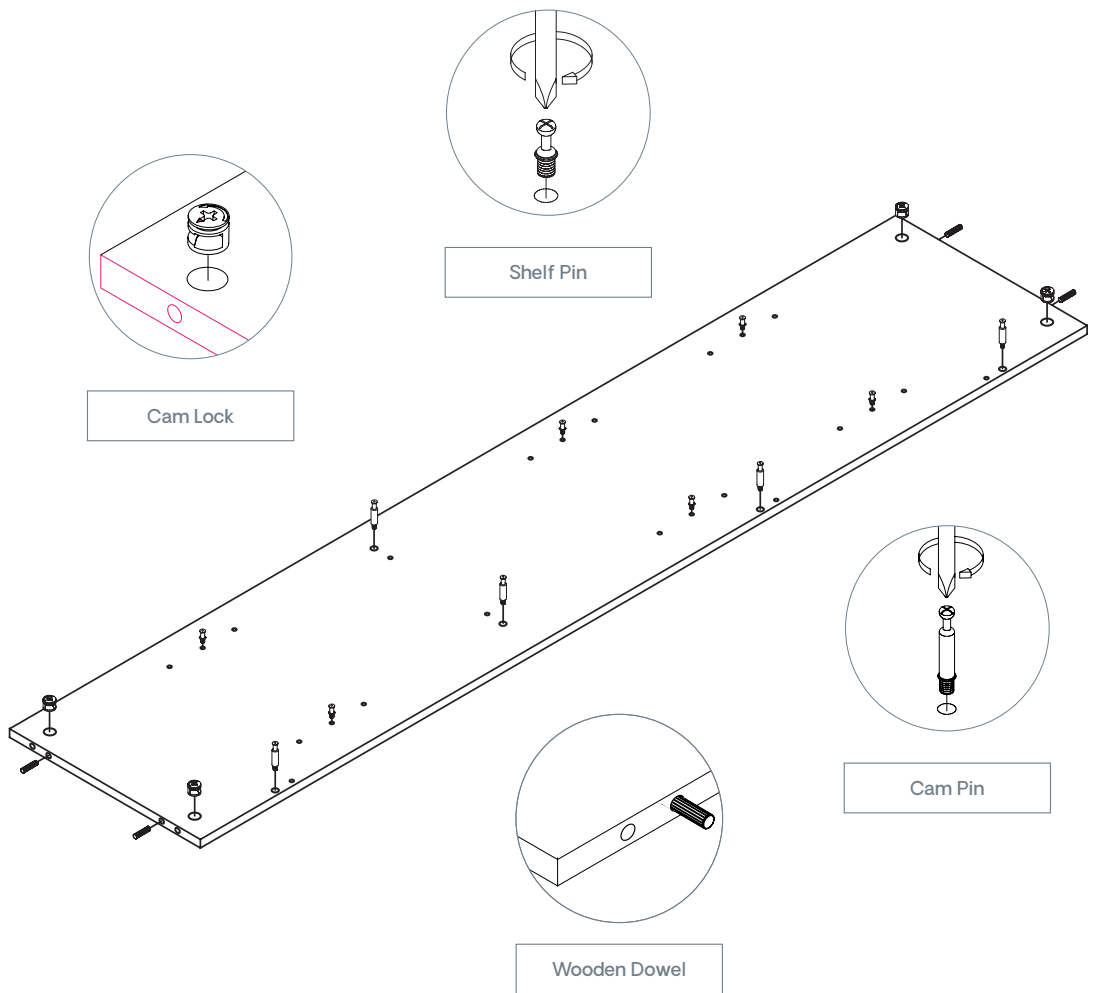


Cam Pin

3 | Insert Hardware into Both Side Panels

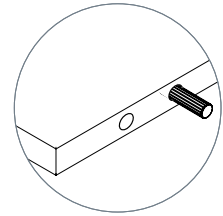
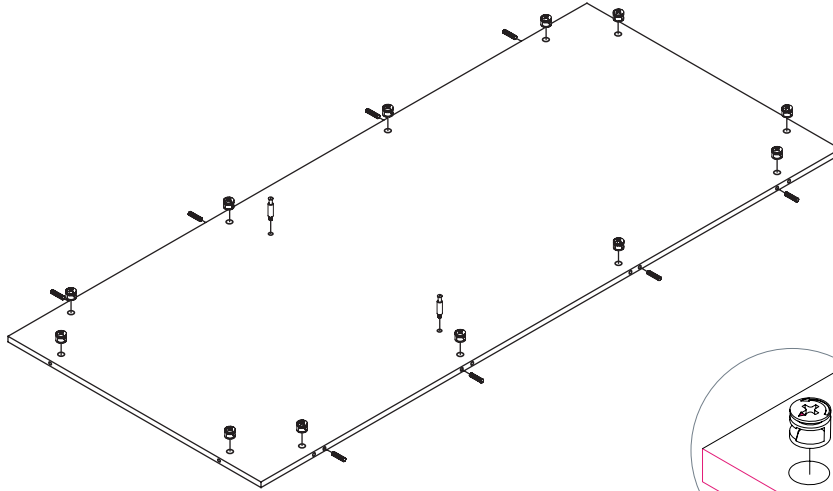
Insert hardware into pre-drilled holes as shown below. Requires 5 cam pines, 6 shelf pins, 4 wooden dowels, and 4 cam locks.

NOTE: Repeat steps for both panels.

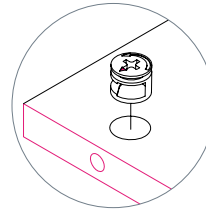


4 | Insert Hardware into Back Panel

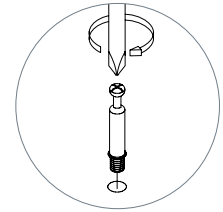
Insert hardware into pre-drilled holes as shown below. Requires 2 cam pins, 8 wooden dowels, and 12 cam locks.



Wooden Dowel



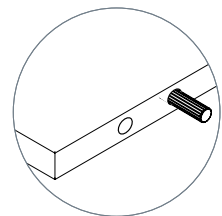
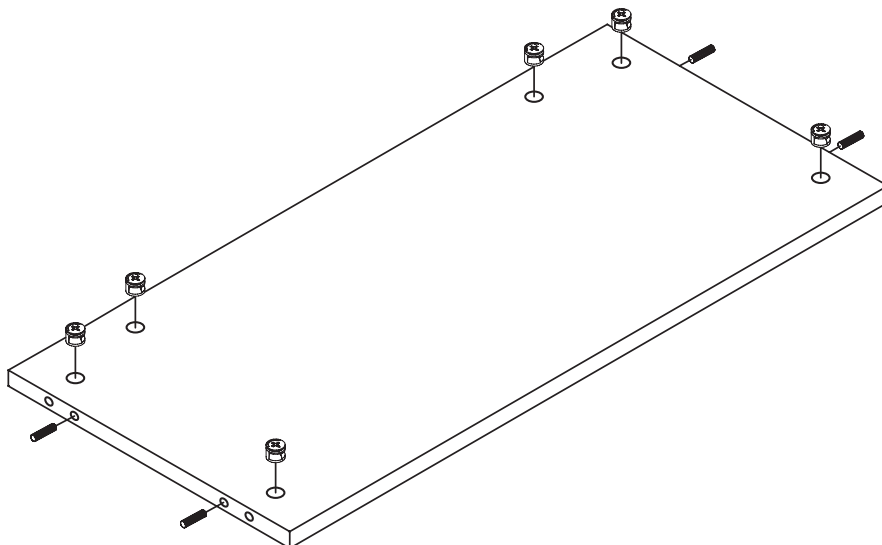
Cam Lock



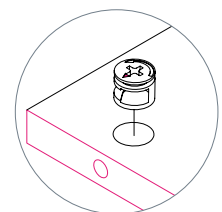
Cam Pin

5 | Insert Hardware into Fixed Shelf

Insert hardware into pre-drilled holes as shown below. Requires 4 wooden dowels and 6 cam locks.



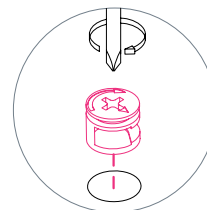
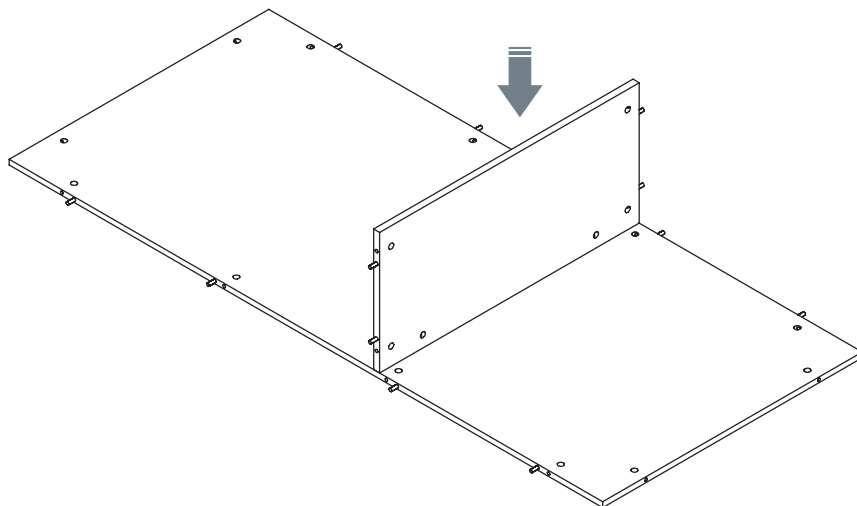
Wooden Dowel



Cam Lock

6 | Secure Fixed Shelf to Back Panel

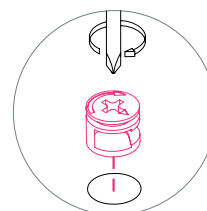
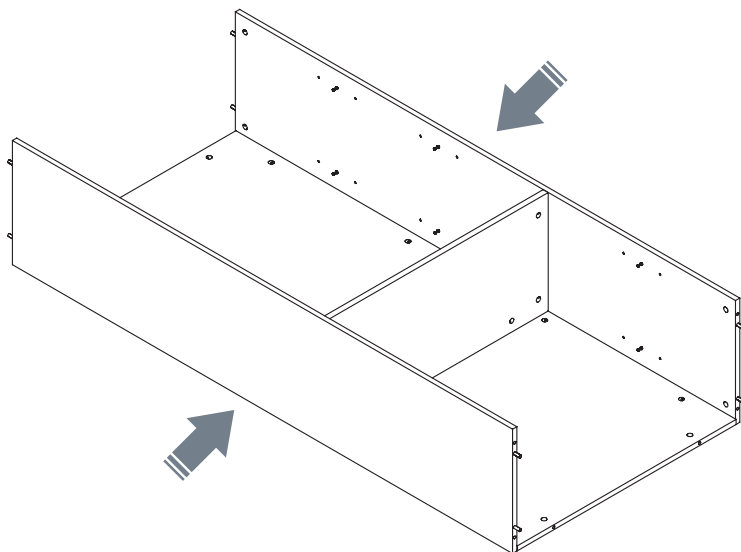
Align cam pins on back panel with open cam locks on fixed shelf panel. Turn cam locks with screwdriver to lock cam pins in place.



Tighten Cam Locks

7 | Secure 2 Side Panels

Align 12 cam pins on side panels with 12 open cam locks on assembled back panel and shelf. Turn cam locks with screwdriver to lock cam pins in place.

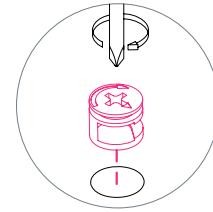
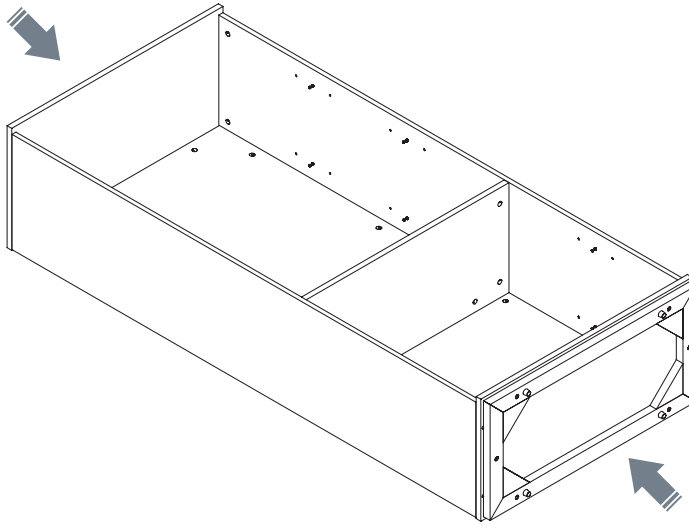


Tighten Cam Locks

8 | Secure Top and Bottom Panels

Align 6 cam pins on top panel with 6 open cam locks on side and back panels. Turn cam locks with screwdriver to lock cam pins in place.

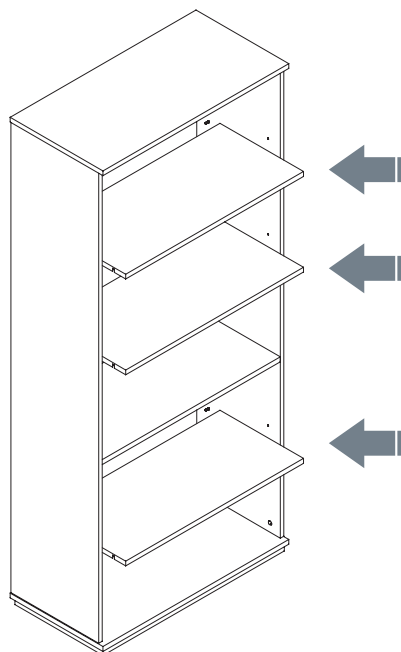
NOTE: Repeat steps for bottom panel.



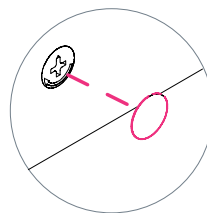
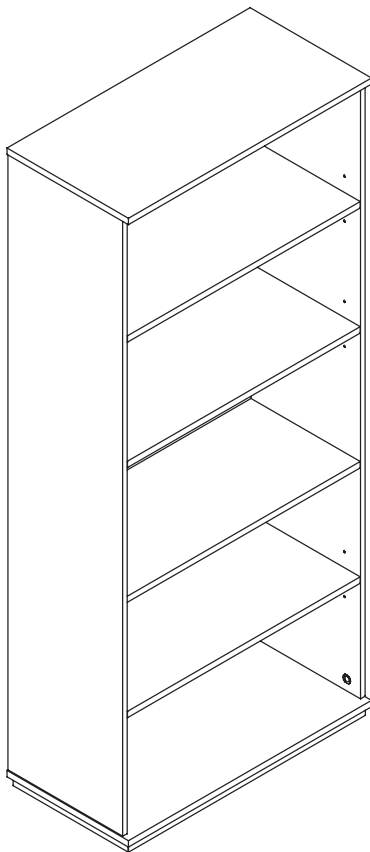
Tighten Cam Locks

9 | Insert Shelves

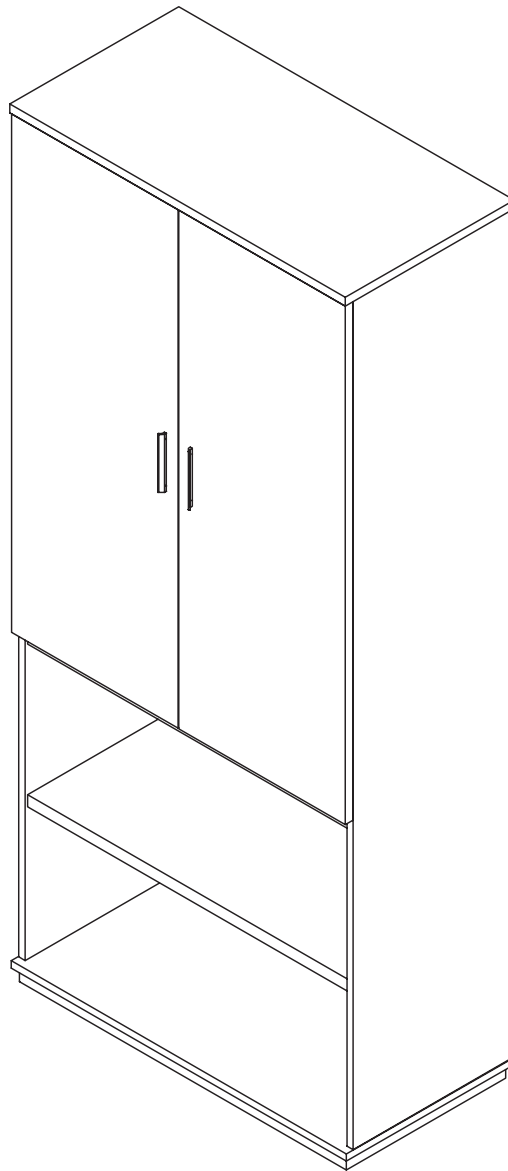
Place and secure remaining 3 shelves onto shelf pins.



10 | Place Cam Lock Covers




Lock Covers



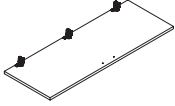
A1: Locking Doors

Overview

Laminate Bookcase

 All parts listed are for a laminate bookcase; additional parts will be needed for additional bookcases.

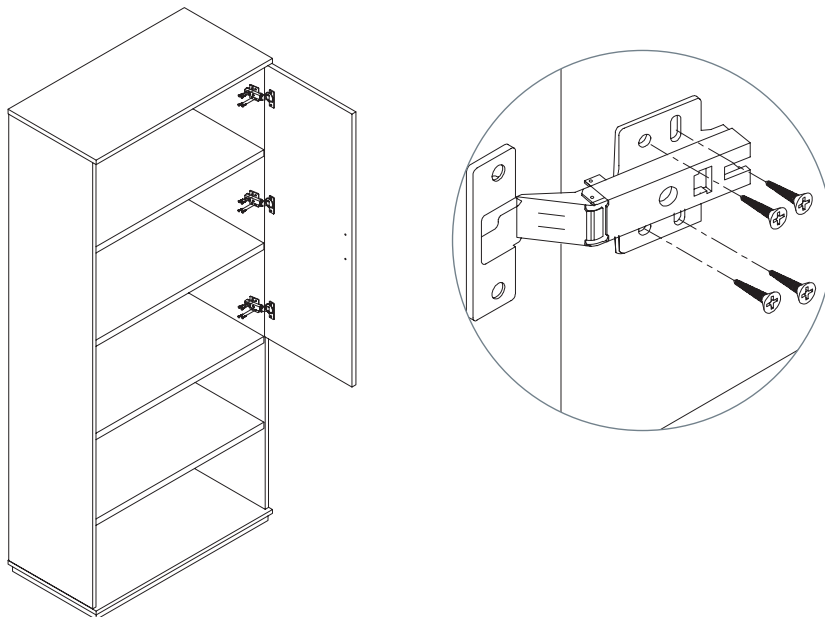
Parts List

Code	Qty.	Description	
BLBCD	1	Locking Doors (Set of 2)	

1 | Place First Door

Choose door placement then insert 4 wood screws through each door hinge and into bookcase side panel.

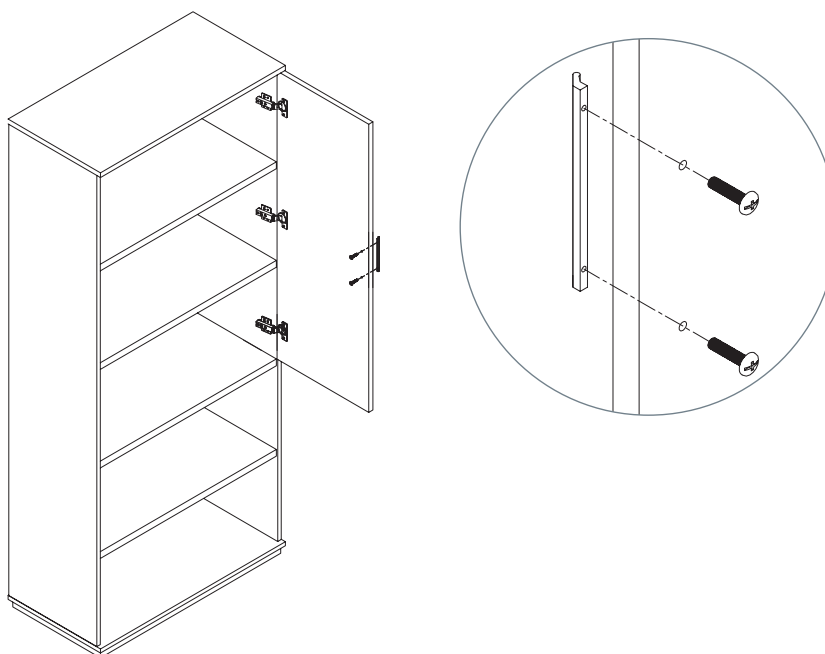
NOTE: Repeat steps for second door.



2 | Secure Door Handle

Using 2 wood screws, drive screws through door panel and into back of handle.

NOTE: Repeat steps for second door.



3 | Double Check All Hardware is Tightened

