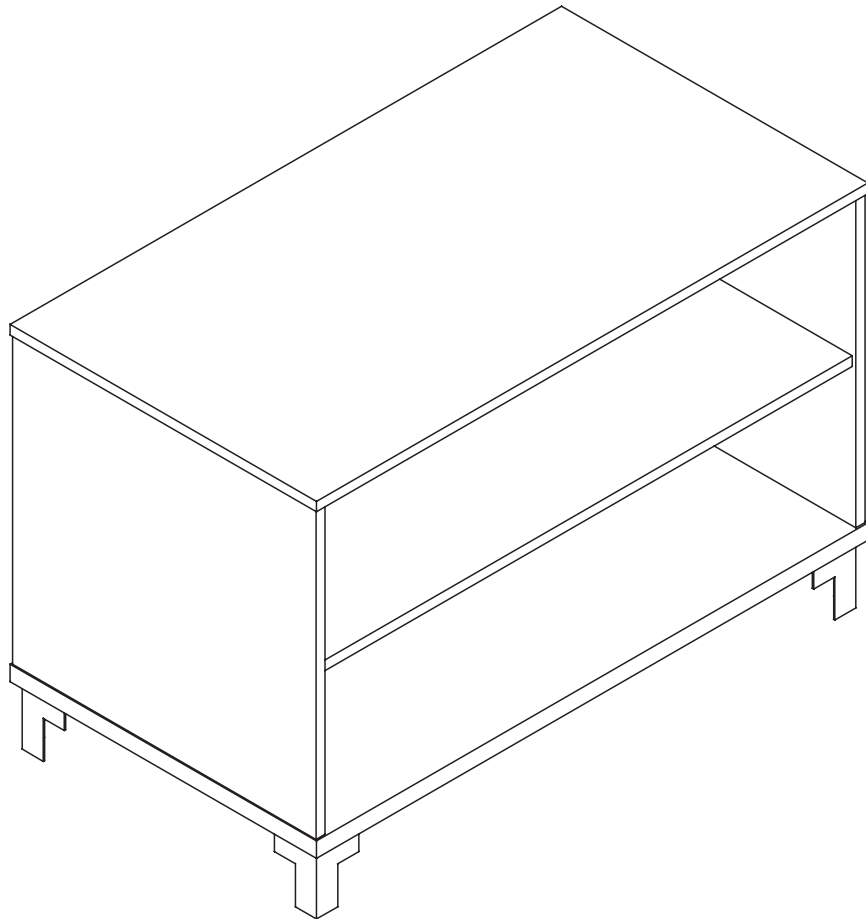


LAMINATE LOW LATERAL

OPEN SHELF AND BOX/FILE
MERGING TOP

EDITION CODE

BLLBFV2 :: Low Open-Shelf Lateral.....1
BLLOSV2 :: Low Box/File Lateral.....9
GBLLT2 :: Merging Top..... 13




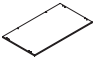
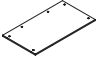



OPEN SHELF

OVERVIEW

Laminate Low Lateral

! All parts listed are for a single open-shelf lateral; additional parts will be needed for additional open-shelf lateral.

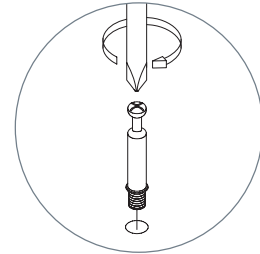
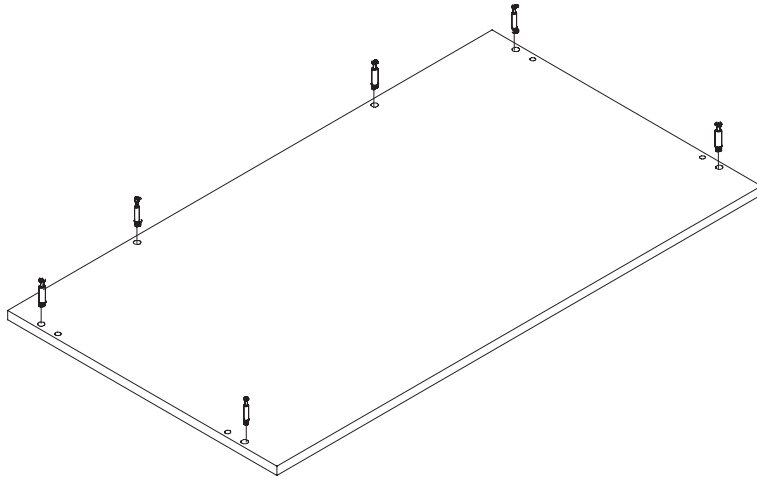
PARTS LIST

CODE	QTY	DESCRIPTION	
BLLOSV2	1	Top Panel*	
	1	Bottom Panel	
	1	Fixed Shelf Panel	
	2	End Panels	
	1	Back Panel	
	4	Corner Feet	

*If installing a merging topper, disregard top panel item.

1 | SCREW CAM PINS INTO BOTTOM PANEL

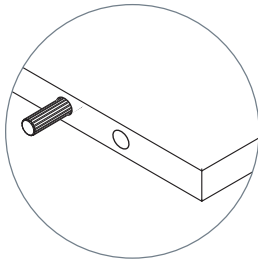
Requires 6 cam pins.



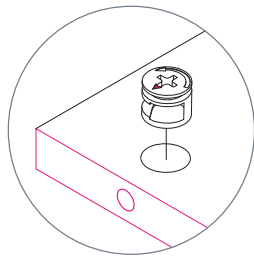
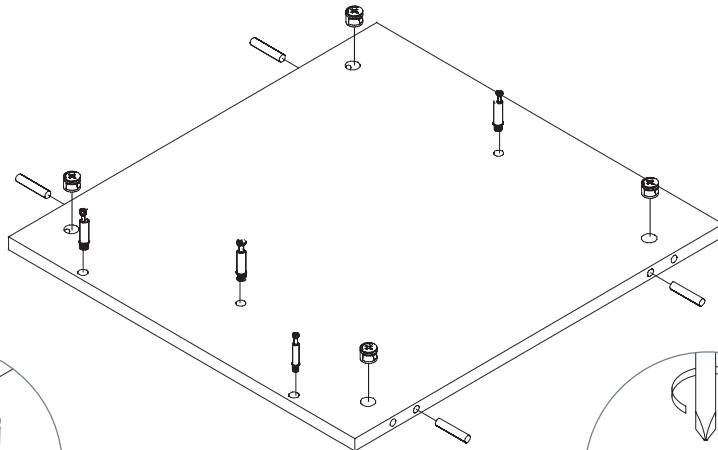
Cam Pin

2 | INSERT HARDWARE INTO END PANELS

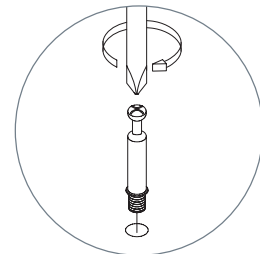
Requires 4 wooden dowels, 4 cam locks, and 4 cam pins.



Wooden Dowel



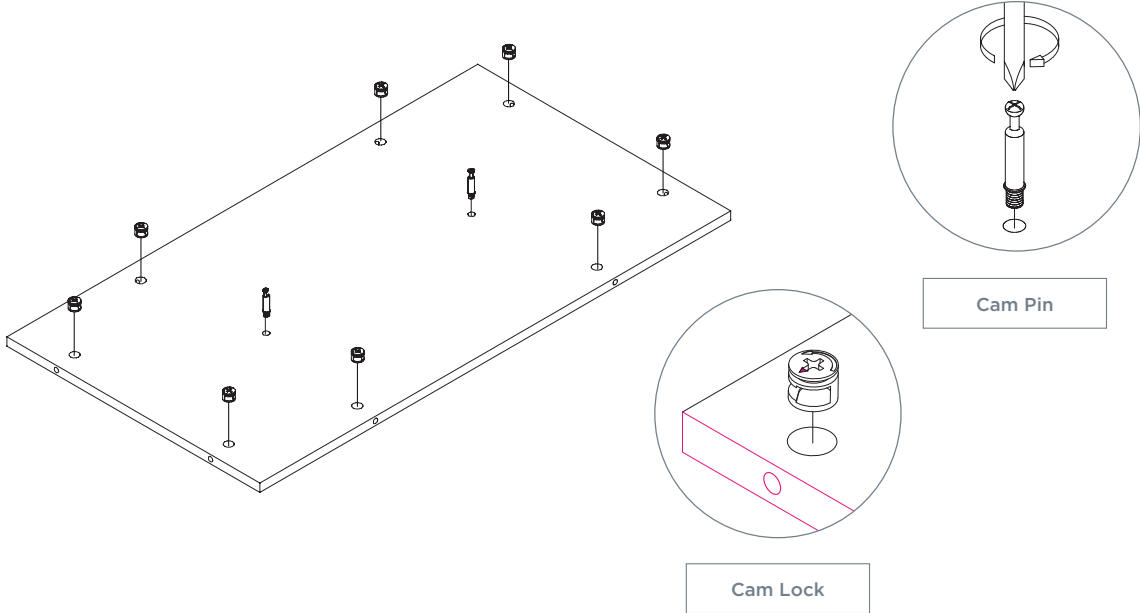
Cam Lock



Cam Pin

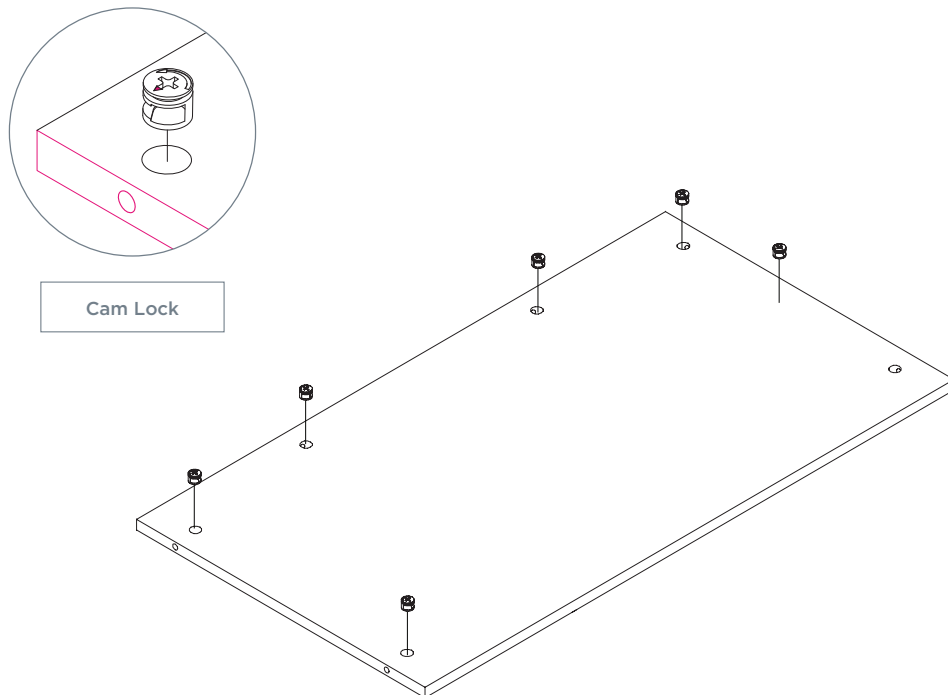
3 | INSERT HARDWARE INTO BACK PANEL

Requires 2 cam pins and 8 cam locks.



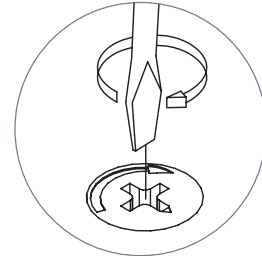
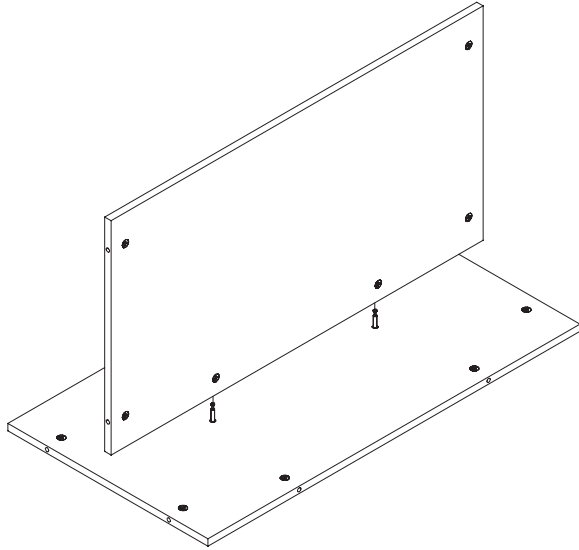
4 | INSERT CAM LOCKS INTO FIXED SHELF

Requires 6 cam locks.



5 | SECURE FIXED SHELF TO BACK PANEL

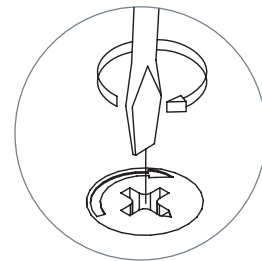
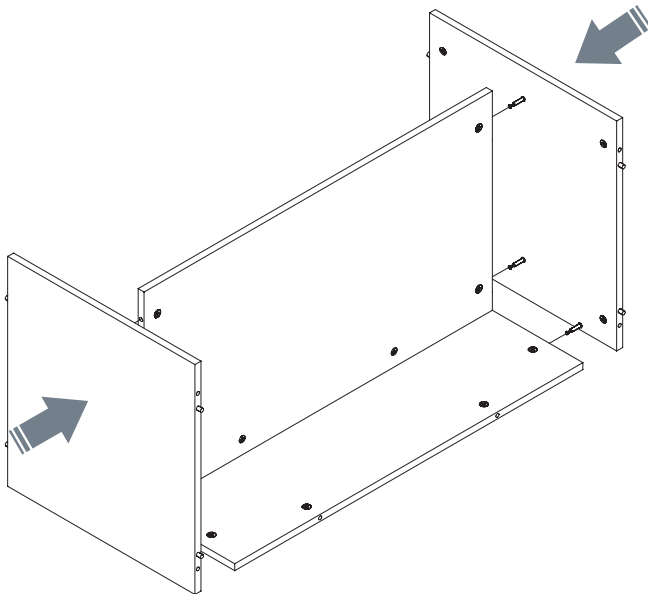
Align the cam pins so they sit inside of open cam locks. Use a screwdriver to turn cam locks clockwise and lock into place.



Tighten Cams

6 | SECURE END PANELS

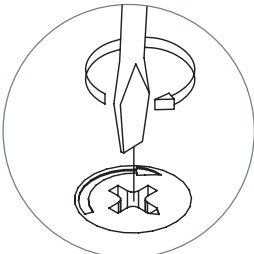
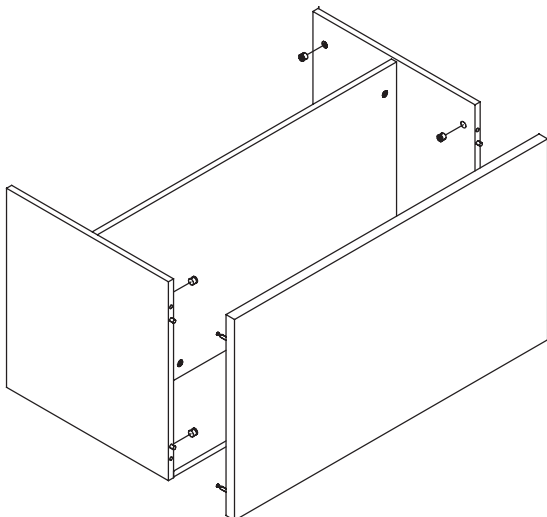
If working with a surface 72" or longer, use 10 wood screws to install support bar under the surface.



Tighten Cams

7 | SECURE BOTTOM PANEL

Align the cam pins so they sit inside of open cam locks. Use a screwdriver to turn cam locks clockwise and lock into place.

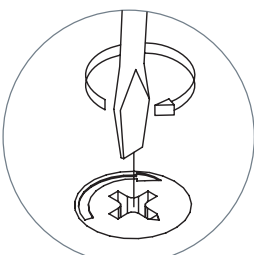
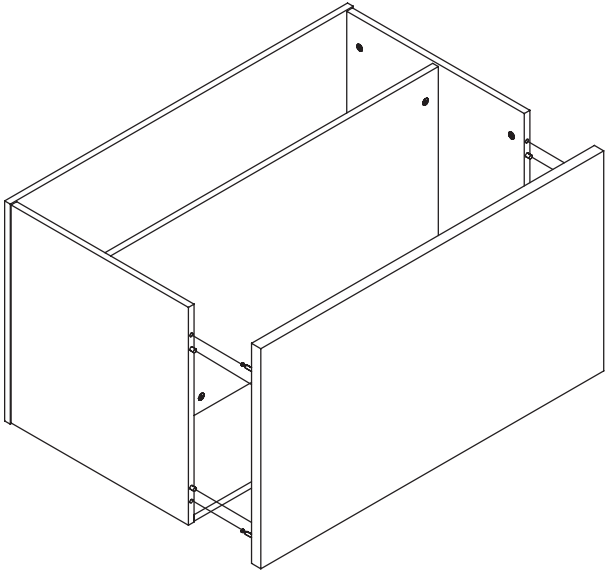


Tighten Cams

8 | SECURE TOP PANEL

Note: DO NOT Install top panel if you are merging storage.

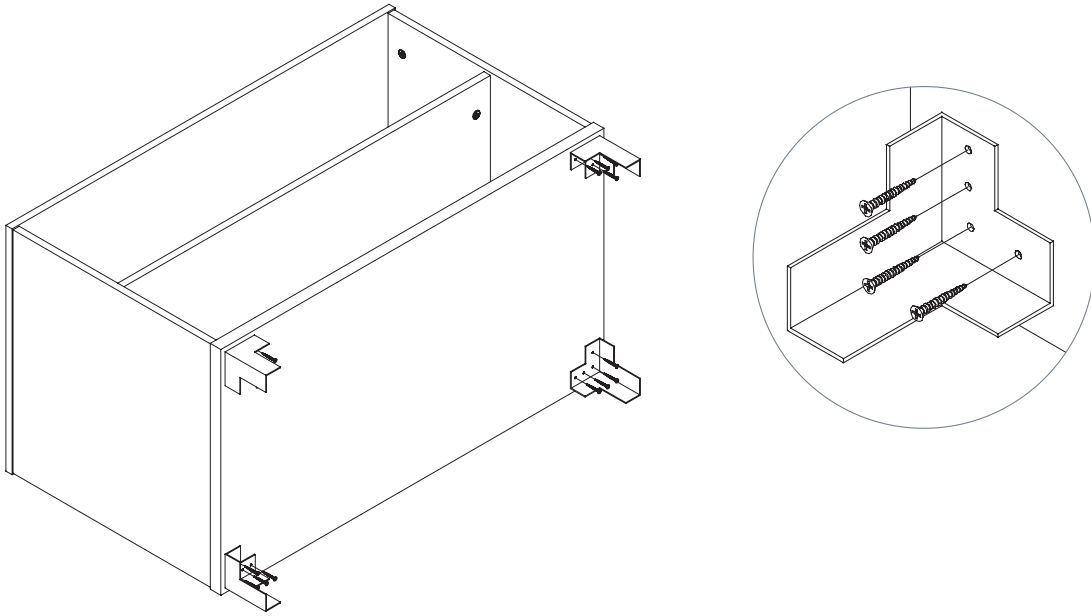
Align the cam pins so that they sit inside of open cam locks. Use a screwdriver to turn cam locks clockwise and lock into place.

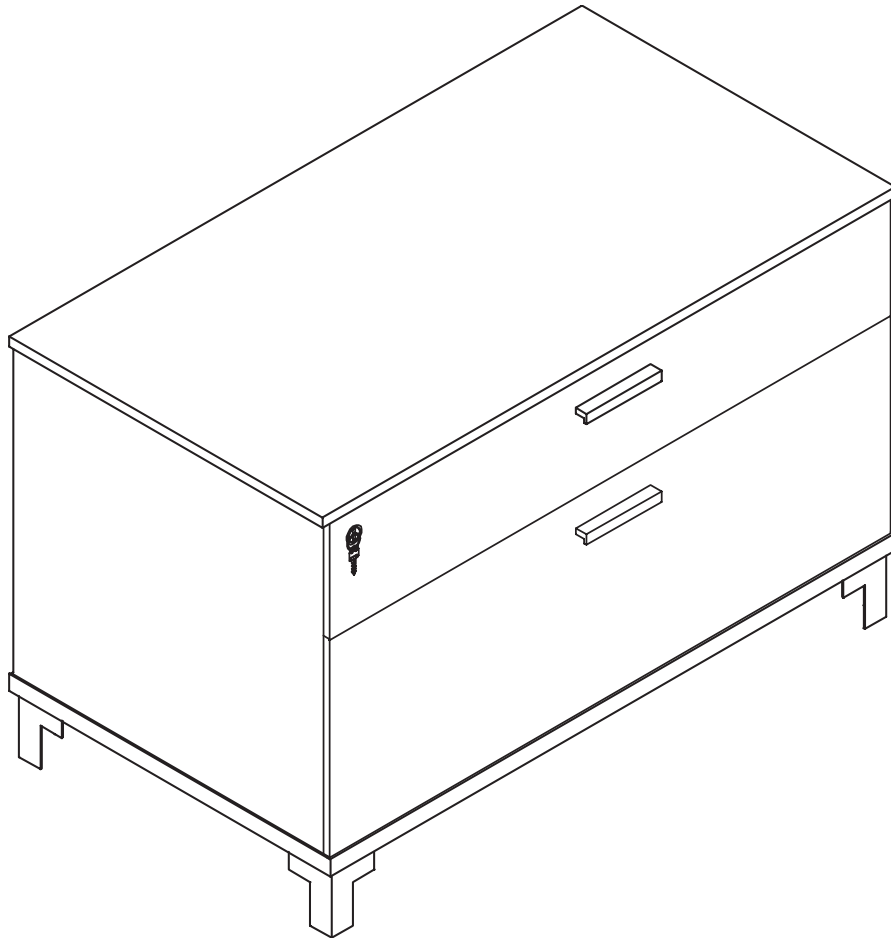


Tighten Cams

9 | SECURE FEET TO BOTTOM PANEL

Attach corner feet to the bottom panel with 4 wood screws per foot.



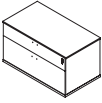

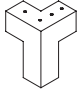


BOX/FILE OVERVIEW

Laminate Low Lateral

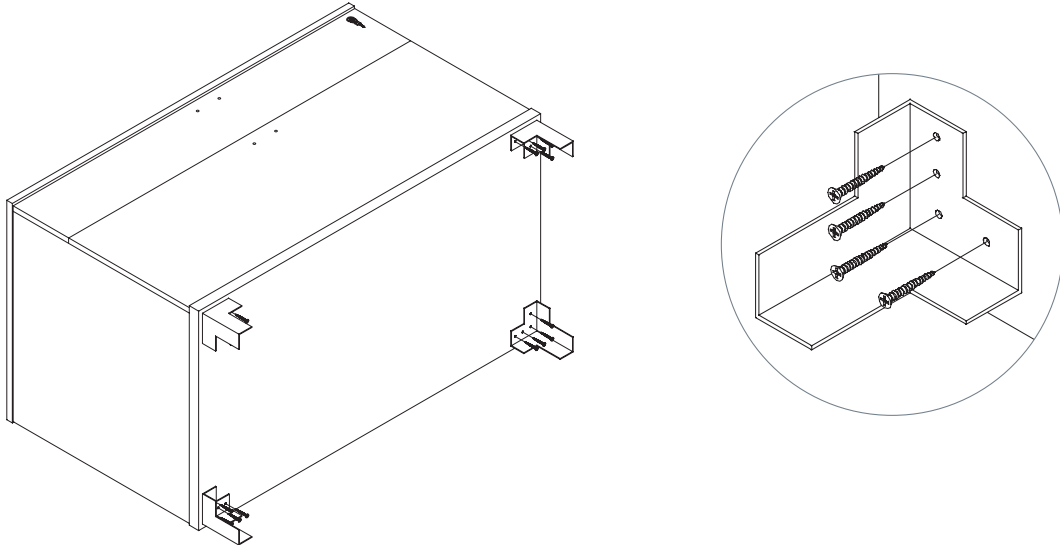
! All parts listed are for a single low box/file lateral; additional parts will be needed for additional low box/file laterals.

PARTS LIST

CODE	QTY	DESCRIPTION	
BLLBFV2	1	Low Box/File Lateral	
	2	Handles	
	4	Corner Feet	

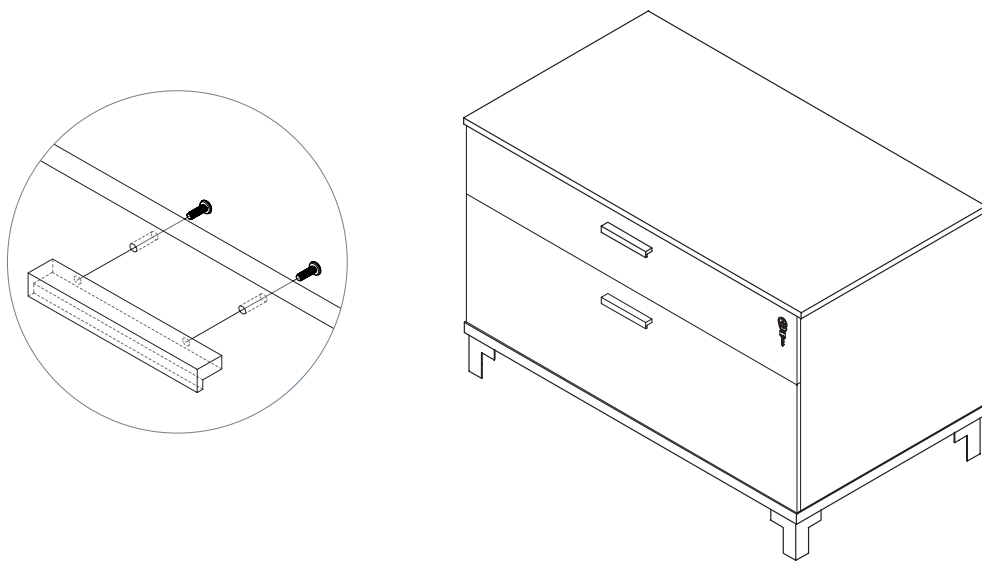
1 | SECURE FEET TO STORAGE AND FLIP

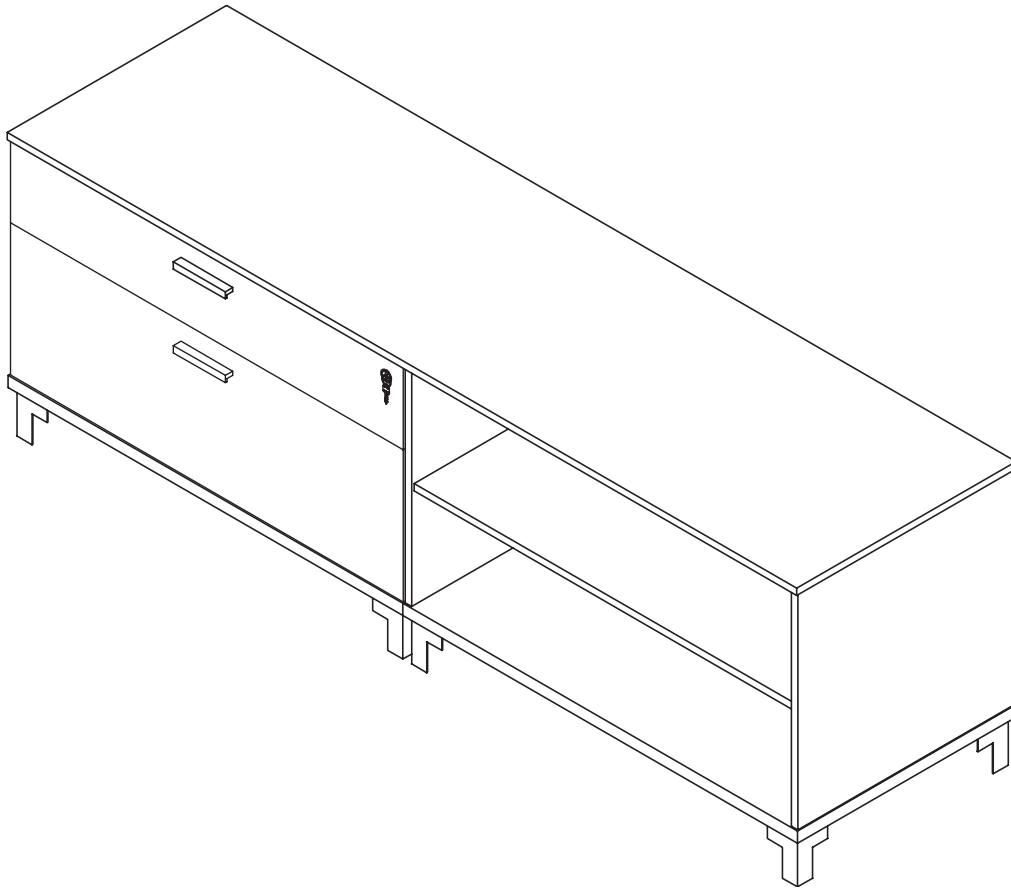
Flip storage piece so it is laying on its back; secure foot to each corner using 4 wood screws.



2 | ATTACH HANDLES

Using 2 bolts each, attach handles to front of drawers.





MERGING TOP

OVERVIEW

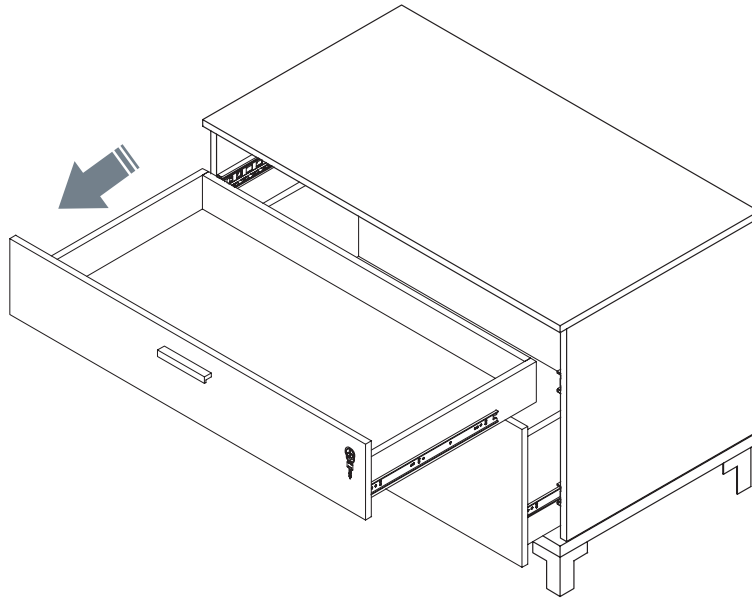
Laminate Low Lateral

! All parts listed are for a single merging top; additional parts will be needed for additional merging tops.

PARTS LIST

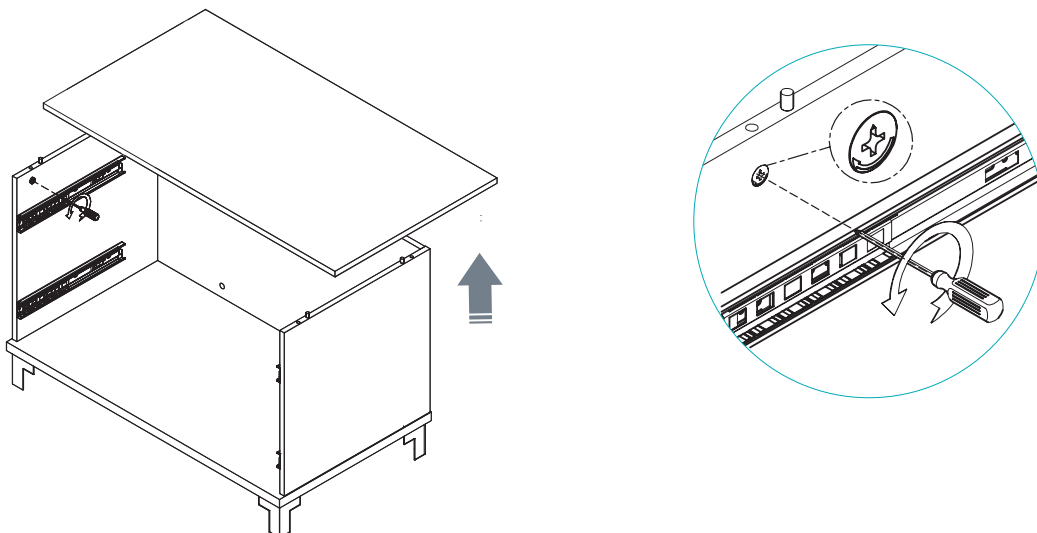
CODE	QTY	DESCRIPTION	
BLLBFV2	1	Low Box/File Lateral	
BLLOS2	1	Low Open-Shelf Lateral	
GBLLT2	1	Laminate Merging Top	
PLB.1	12	Laminate Storage L-Bracket	
WD.2	24	Wood Screws	

1 | REMOVE DRAWERS FROM LOW BOX/FILE LATERAL



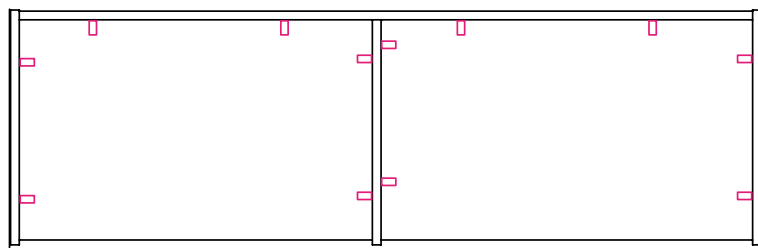
2 | REMOVE STORAGE TOP

Locate the 6 cam locks across top edge on the inside of the storage piece. Then, use a screwdriver to turn cam locks counterclockwise to unlock. Carefully lift top from storage.

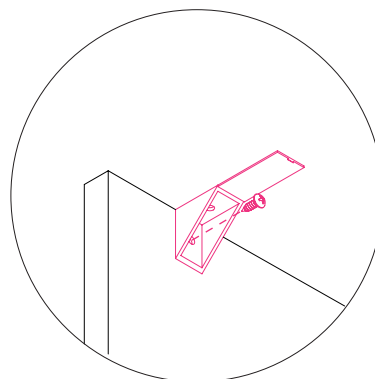


3 | CONNECT BRACKETS TO TOP PANEL

Attach 12 laminate storage L-brackets to inside of storage using wood screws in the places shown below.

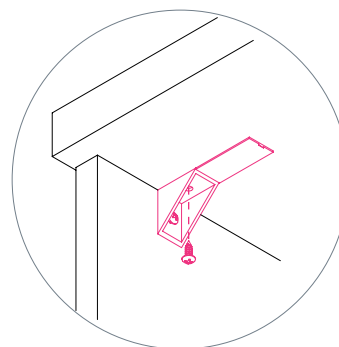
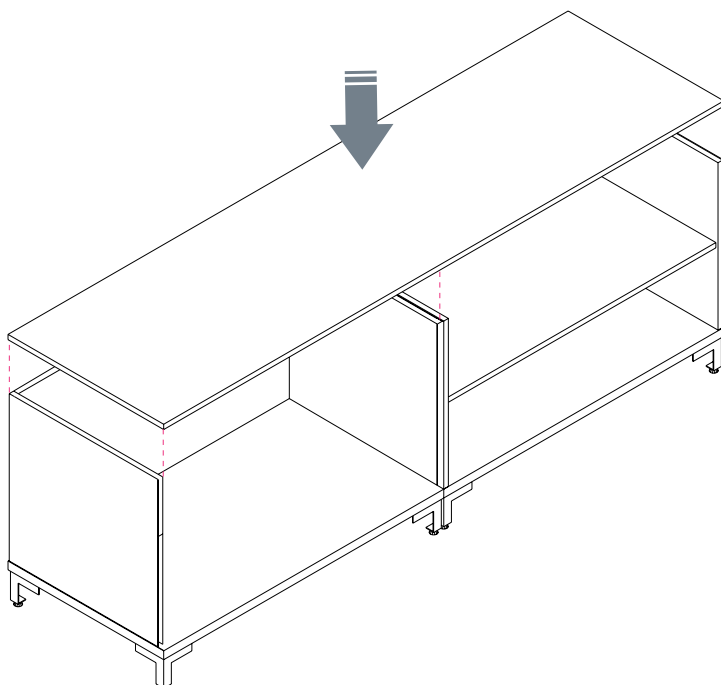


Top View



4 | ATTACH TOP TO STORAGE

Set storage side-by-side then align top panel so it is flush with sides, back, and front of storage. Secure the 12 laminate storage L-brackets to top panel using wood screws.



5 | INSERT DRAWERS

